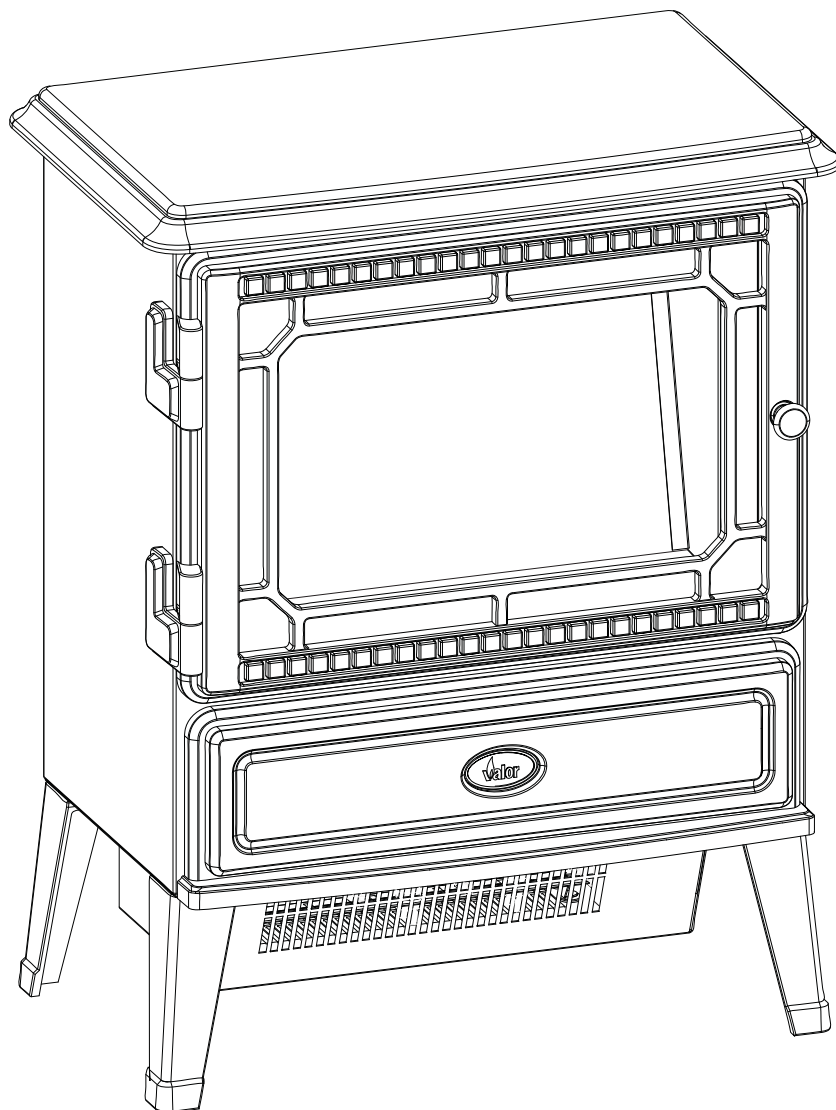




DIMENSION ELECTRIC RANGE



Glendale Dimension Stove

08/52927/0 Issue 2

Valor Dimension Stove

Introduction

Thank you for choosing this Valor electric fire. Please read this information guide carefully in order to safely install, use and maintain your product.

Important Safety Advice

When using electrical appliances, basic precautions should always be followed to reduce the risk of fire, electrical shock and injury to persons, including the following:

1. OVERHEATING

WARNING: In order to avoid overheating, do not cover the heater. Do not place material or garments on the heater, or obstruct the air circulation around the heater. The heater carries a DO NOT COVER warning.

2. DAMAGE.

If the appliance is damaged, check with the supplier before installation and operation.

If the supply cord is damaged it must be replaced by the manufacturer or service agent or a similarly qualified person in order to avoid a hazard.

3. LOCATION

Do not use outdoors.

Do not use in the immediate surroundings of a bath, shower or swimming pool.

Do not locate the heater immediately below a fixed socket outlet or connection box.

Ensure that furniture, curtains or other combustible material are positioned no closer than 1 metre from the heater.

Although this heater conforms with safety standards, we do not recommend its use on deep pile carpets or on long hair type of rugs.

4. PLUG POSITIONING

The appliance must be positioned so that the plug is accessible.

Keep the supply cord away from the front of the heater.

5. USE OF OTHER CONTROLS

Do not use this heater in series with a thermal control, a program controller, a timer or any other device that switches on the heat automatically, since a fire risk exists when the heater is accidentally covered or displaced.

6. UNPLUGGING

In the event of a fault unplug the device.

Unplug the device when not required for long periods.

7. OWNER/USER

WARNING: This heater is not equipped with a device to control the room temperature. Do not use this heater in small rooms when they are occupied by persons not capable of leaving the room on their own, unless constant supervision is provided.

This appliance can be used by children aged from 8 years and above and persons with reduced physical, sensory or mental capabilities or lack of experience and knowledge if they have been given supervision or instruction concerning use of the appliance in a safe way and understand the hazards involved. Children shall not play with the appliance. Cleaning and user maintenance shall not be made by Children without supervision.

Children of less than 3 years should be kept away unless continuously supervised. Children aged from 3 years and less than 8 years shall only switch on/off the appliance provided that it has been placed or installed in its intended normal operating position and they have been given supervision or instruction concerning use of the appliance in a safe way and understanding the hazards involved. Children aged from 3 years and less than 8 years shall not plug in, regulate and clean the appliance or perform user maintenance.

CAUTION - Some parts of this product can become very hot and cause burns. Particular attention has to be given where children and vulnerable people are present.

8. ELECTRICITY

WARNING – THIS APPLIANCE MUST BE EARTHED.

This heater must be used on an AC ~ supply only and the voltage marked on the heater must correspond to the supply voltage.

Before switching on, please read the safety advice and operating instructions.

General Information

This model is designed to be free standing and is normally positioned near a wall.

Always ensure that the appliance is sitting on a level surface.

Please note: If used in an environment where background noise is very low, it may be possible to hear a sound which is related to the operation of the flame effect. This is normal and should not be a cause for concern.

If this product experiences a power surge for whatever reason, the product may cut-out. This is a normal safety feature and the product will resume operation after 30 seconds.

Installation Instructions

This section describes how to set up your fire.

Before installing this appliance in an existing chimney, we recommend that;

1. You have your chimney cleaned by a competent chimney sweep.
2. You block off the chimney flue.

This procedure is important for the efficient operation of the heating unit and will also reduce heat loss up the chimney.

BEFORE YOU START

1. Ensure that all packing items are removed (read any warning labels carefully) and retain all packing for possible future use e.g. in the event of moving house or returning the appliance to your supplier.
2. Before connecting the stove, check that the supply voltage is the same as that stated on the heater.

INSTALLATION

Place the stove against a wall and connect the stove to your electricity supply.

Connect the power cable to the appropriate power connector at the back of the fire

Plug the power cable into a 13amp/240volt outlet.

Operating the Fire






This section describes how to activate your fire using either the manual controls or remote control.

MANUAL CONTROLS

The manual controls are located inside the stove door on the right hand side. Open the door to access the controls. (See Fig. 2a for Manual Control layout)

The main switch controls the electricity supply to the Fire.

The switch can be pressed on either side. Please see the table below for the functions that correspond to the switching sequence.

Switch Operation	Setting	Visual Indication
Press  Once	LED Hologram Effect On	Flame panel illuminated
Press  > > Once	LED Hologram & Flame Effect On	Flame movement within flame panel
Press  > > Again	Flame Effect & Half Heat On	1 Red LED behind flame panel
Press  > > Again	Flame Effect & Full Heat On	2 Red LED's behind flame panel
Press  Once	Fire is turned off	Flame panel becomes darkened

Two Red LED's as shown in Fig. 2b are located behind the flame panel and indicate the heat setting of the fire. These LED's illuminate when a heat setting is selected and remain illuminated for approximately 3 seconds.

- One illuminated LED corresponds to Half Heat - 900 Watts
- Two illuminated LED's correspond to Full Heat - 1800 Watts

REMOTE CONTROL OPERATION

The two buttons on the remote control operate in the same way as the manual switch located inside the stove door. Operation of the remote control buttons correspond to the switching sequence in the above table.

Please note that it takes time for the receiver to respond to the remote control. Do not press the buttons more than once within two seconds for correct operation.

Battery Information

1. Unclip the battery cover on the back of the remote control. (Fig. 3)
2. Install AAA batteries into the remote control, making sure to orient the positive and negative terminals correctly.
3. Replace the battery cover.

Discard leaky batteries

Dispose of batteries in the proper manner according to national and local regulations. Any battery may leak electrolyte if mixed with a different battery type, if inserted incorrectly, if all the batteries are not replaced at the same time, if disposed of in a fire, or if an attempt is made to charge a battery not intended to be recharged.

THERMAL SAFETY CUT-OUT

A thermal safety cut-out is incorporated in the fan heater to prevent damage due to overheating. This can happen if the heat outlet was restricted in any way or if the chimney flue has not been blocked off effectively. The cut-out operates by cutting the power to the fan heater if the fan heater overheats. The cut-out will automatically restore power to the fan heater after about 10 minutes when the temperature in the fan heater has reached an acceptable level. If the fan heater cuts out during operation, remove any obstruction that may be restricting the heat outlet.

If the fan heater cuts out during operation and power is not automatically restored after 15 minutes, follow the steps below to manually reset the cut-out.

1. Unplug the product and lie it on its back. (Fig. 4a)
2. Locate the small hole on the bottom side of the fan heater. (Fig. 4b)
3. Insert a large pin into the hole and push it straight in until a small click is heard. (Fig. 4c)
4. Replace the product in its original position. Before switching the product back on, remove any obstruction that may be restricting the heat outlet.

Caution: In order to avoid a hazard due to inadvertent resetting of the thermal cutout, this appliance must not be supplied through an external switching device, such as a timer, or connected to a switch that is regularly switched on and off by the utility.

Maintenance

Cleaning

WARNING: ALWAYS DISCONNECT FROM THE POWER SUPPLY BEFORE CLEANING THE HEATER.

For general cleaning, use a soft clean duster - never use abrasive cleaners.

The flame panel should be cleaned carefully with a soft cloth.

To remove any accumulation of dust or fluff, the soft brush attachment of a vacuum cleaner should occasionally be used to clean the outlet grille of the fan heater.

There is a mirror located underneath the canopy. (Fig. 5) This may require cleaning to ensure a sharp clear holographic image.

Additional Information

AFTER SALES SERVICE

1 Year guarantee

Your product is automatically guaranteed for one year from the date of purchase. Within this period, we undertake to repair or exchange this product free of charge providing:

- a) Proof of purchase such as a sales receipt can be provided, showing that the appliance was bought within the 12-months prior to registering the defect/fault.
- b) The appliance was correctly installed and operated in accordance with the manufacturer's instructions and used solely for domestic purposes.
- c) The defect/fault was not as a result of accident, misuse, unauthorised modification or inexpert repair.

Consumable parts, such as fuses in plugs and bulbs, which require routine replacement are excluded from the guarantee.

Your rights under this guarantee are additional to your statutory rights, which in turn are not affected by this guarantee.

Should you require after sales information or assistance with this product please go to www.valor.co.uk where you will find our self help guide. Alternatively, call our help desk on **0844 879 3588 (UK)** or **01 842 4833 (R.O. I.)**.

Spare parts are also available on the website. Please retain your receipt as proof of purchase.

RECYCLING



For electrical products sold within the European Community. At the end of the electrical products useful life it should not be disposed of with household waste. Please recycle where facilities exist. Check with your Local Authority or retailer for recycling advice in your country.

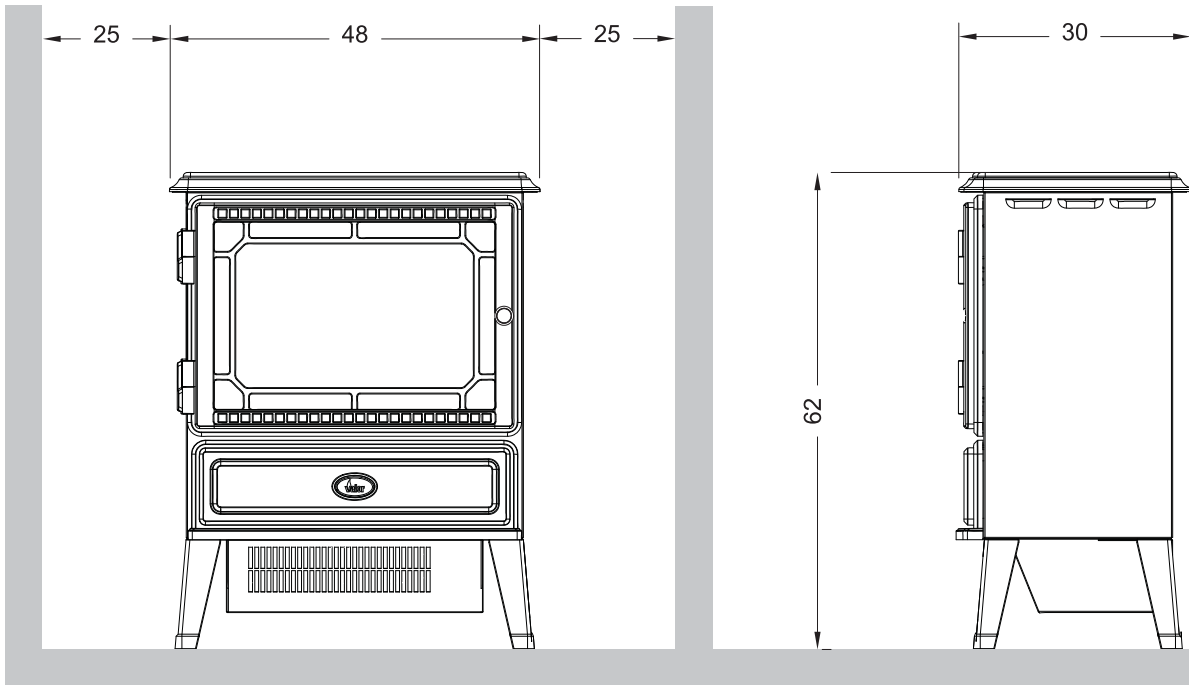


Fig. 1

All dimensions in centimeters.

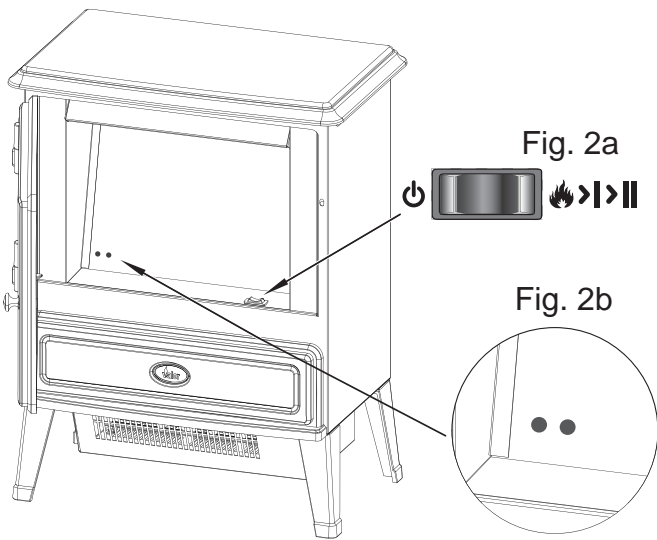


Fig. 2a

Fig. 2b

Fig. 3

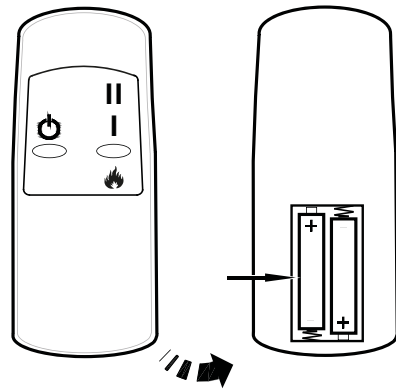


Fig. 4a

Fig. 4b

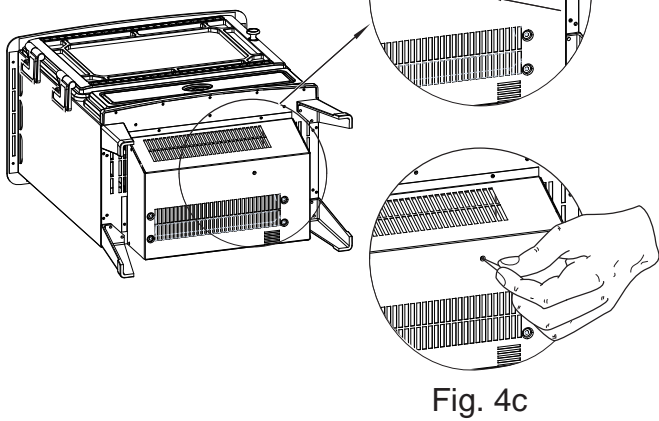
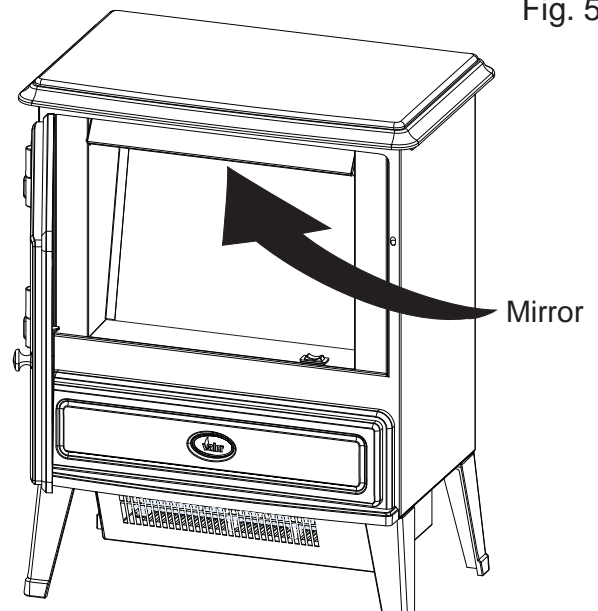


Fig. 4c

Fig. 5



Valor
MILLBROOK HOUSE
GRANGE DRIVE
HEDGE END
SOUTHAMPTON
SO30 2DF

TEL: 0844 879 3588
FAX: 0844 879 3583
WEBSITE: www.valor.co.uk

Republic of Ireland

Tel. 01 8424833
