

Trento

Modular Suite



For use with the Skope Electric Outset Range

Instructions for Use and Installation

For use in GB, IE (Great Britain and Republic of Ireland)

IMPORTANT

Before installing the surround, please read these instructions carefully and in conjunction with the instructions supplied with the appliance.
These Instructions must be left with the appliance for future maintenance.

Contents

Covering the following components:

	Trento 70W Shelf - White	Trento 110W Shelf - White
Left Hand Shelf	910-157	910-183
Right Hand Shelf	910-162	910-191
Centre Shelf	910-170	910-203

Trento Infill	Trento End Cap
910-216	910-227

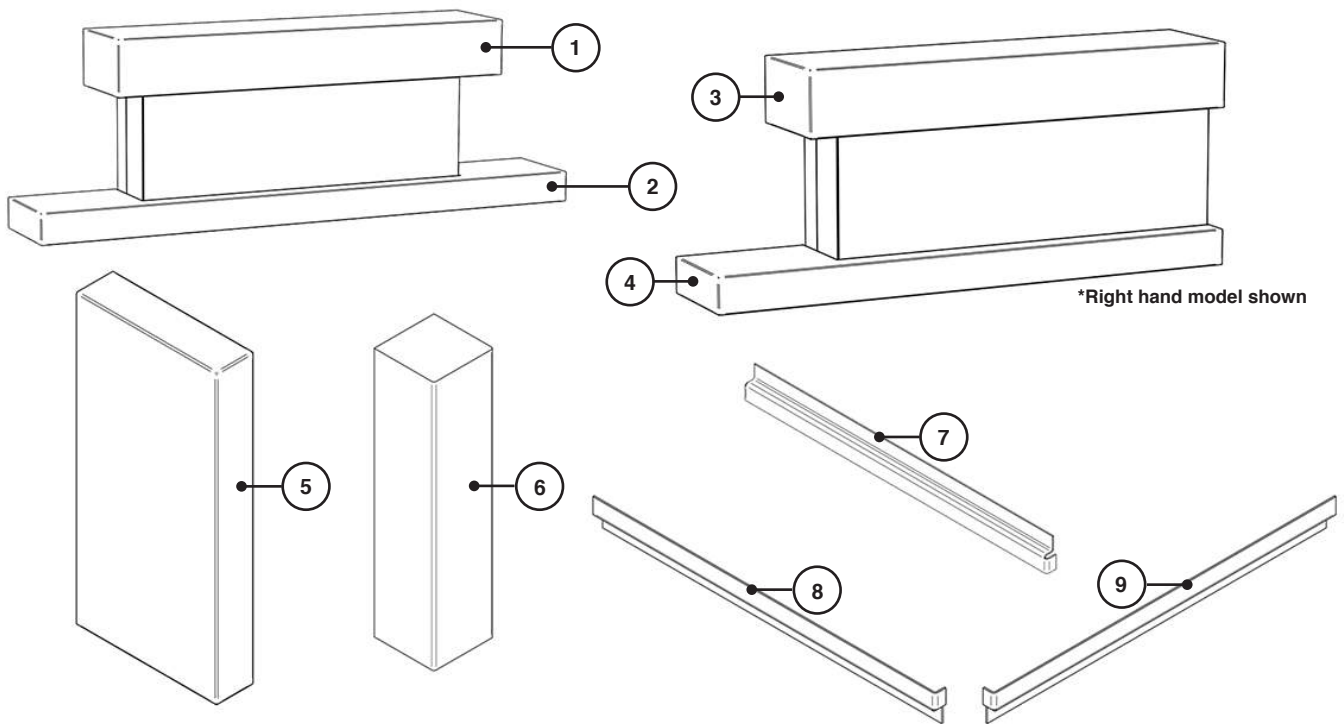
Technical Specification.....	3
Dimensions	4
Site Requirements.....	5
Installation Instructions - Centre Installation	7
Fitting the Surround.....	7
Fitting the Infill	11
Installation Instructions - Offset Installation	8
Fitting the Brackets.....	8
Fitting the Surround.....	9
Fitting the End Cap	10
Fitting the Infill	11

Installation Instructions

Technical Specification

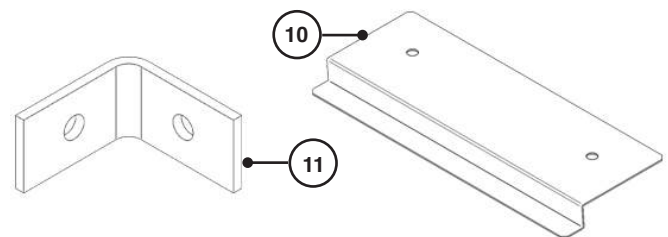
This appliance has been certified for use in countries other than those stated. To install this appliance in these countries, it is essential to obtain the translated instructions. Contact Gazco for further information.

1



*Right hand model shown

Ref.	Description	Qty.
1	Upper Surround - Centre Installation	1
2	Lower Surround - Centre Installation	1
3	Upper Surround - Offset Installation (LH / RH)	1
4	Lower Surround - Offset Installation (LH / RH)	1
5	End Cap (Optional Extra)	1
6	Side Infill (Optional Extra)	1
7	Corner Side Glass Retainer Bracket - Top‡	1
8	Right Corner Side Glass Retainer Bracket - Bottom‡	1
9	Left Corner Side Glass Retainer Bracket - Bottom‡	1
10	Upper Surround End Cap Bracket	1
11	Lower Surround End Cap Bracket	1
	Screws: Centre Installation (See table below)	6
	Screws: Offset Installation (See table below)	5



Screws	Size	Qty.
Upper Surround - Centre Installation Screw	M6 x 16mm	4
Upper Surround - Offset Installation Screw	M6 x 16mm	3
Lower Surround - Offset & Centre Installation Screw	M5 x 35mm	2
End Cap Installation Screw	M5 x 12mm	3
End Cap Installation Screw	M5 x 12mm	1

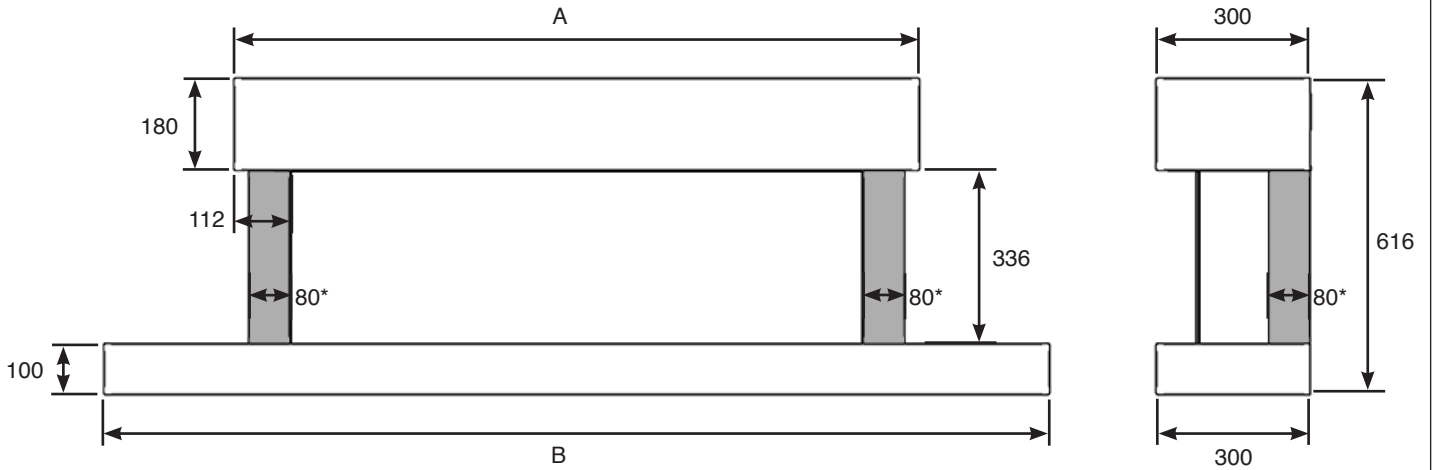
‡Included with the appliance

Installation Instructions

Technical Specification

Dimensions - Centre Installation

2 All dimensions in mm

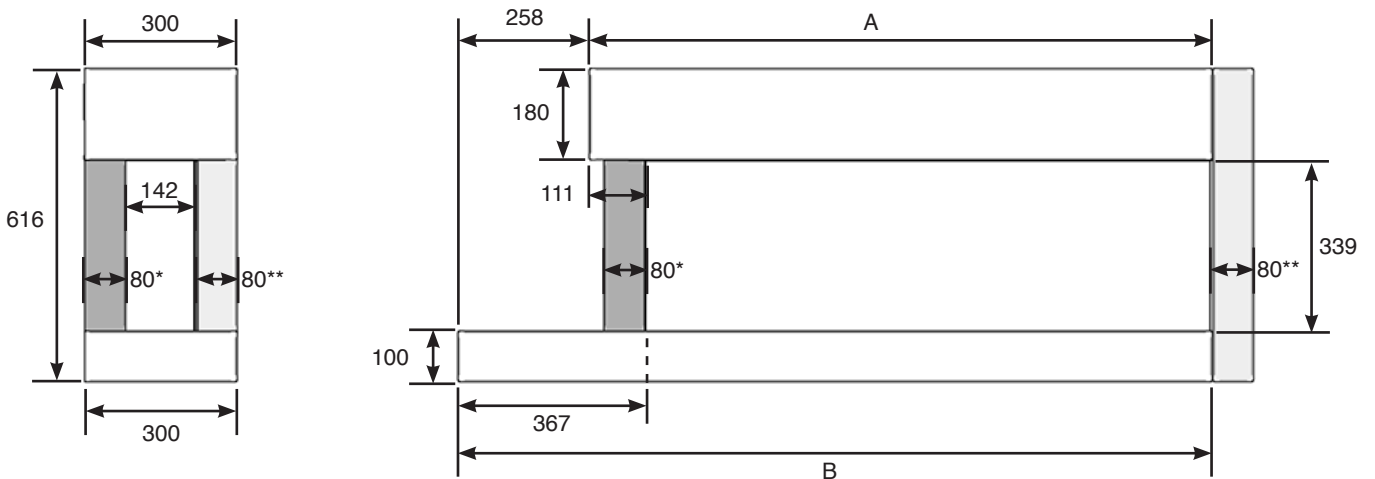


	70W	110W
A	934	1334
B	1440	1840

*Optional Side Infill

Dimensions - Offset Installation

3 All dimensions in mm




	70W	110W
A	825	1225
B	1083	1483

*Optional Side Infill
**Optional End Cap

Installation Instructions

Site Requirements

1. Clearance to Combustibles

- 1.1 **Read all of the instructions carefully before using the appliance.**
- 1.2 **Remove all packaging and dispose of at an appropriate recycling facility.**
- 1.3 Do not locate this appliance immediately below a fixed socket outlet.
- 1.4 Do not use this appliance in the immediate surroundings of a bath, shower, swimming pool or any other area where the appliance could come into contact with water or humidity, e.g. a bathroom.
- 1.5  **WARNING! DO NOT COVER**
Do not allow the appliance to be covered or let the air inlet/outlet become obstructed as the appliance may overheat. Please note the warning symbol on the appliance (see above).
- 1.6 **For indoor use only.** This appliance is not suitable for use outside the house.
- 1.7 When the fire has been installed the position of the plug must be accessible.
- 1.8 Ensure that curtains and furniture are not positioned close to the chosen position, as this would create a potential fire hazard or block the heater outlet ducts.
WARNING! KEEP ALL COMBUSTIBLE MATERIALS AT LEAST 1M FROM THE FRONT AND SIDES OF THE ELECTRIC FIREPLACE.

2. Ventilation

- 2.1 This appliance requires no additional ventilation.

Installation Instructions

Site Requirements

3. Additional Configurations

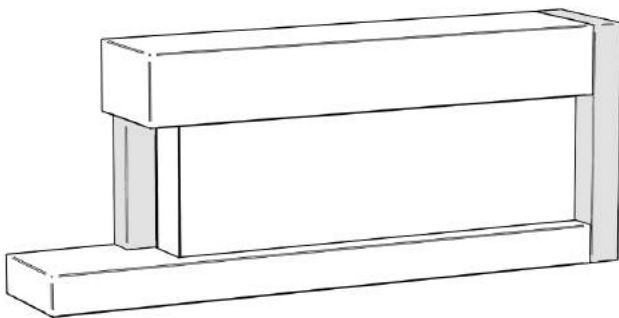
- 5.1 The Skope Trento Modular suite can be customised to suit individual aesthetic requirements. Additional pieces are available and can be added to either side of the appliance for effect as desired.

NOTE: Not all possible configurations are shown.

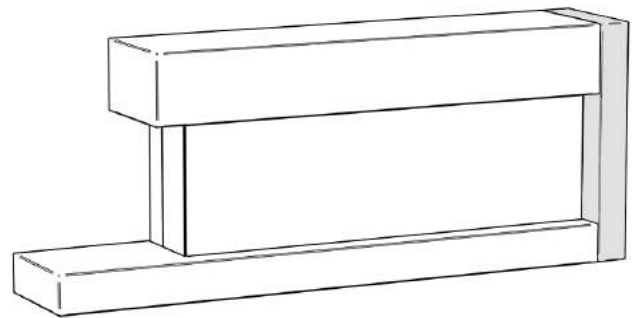
3a. Offset - LH & RH

i **IMPORTANT:** If fitting an End Cap or installing in a corner the correct bracket configuration must be fitted prior to the installation of the appliance.

1



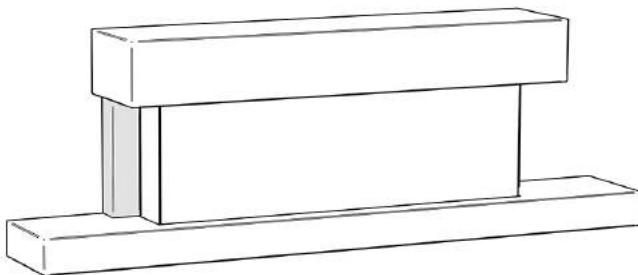
End Cap & Infill Fitted



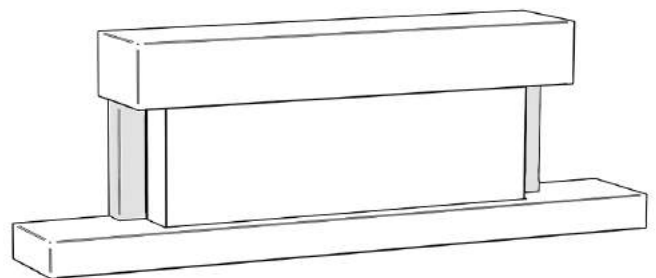
End Cap Fitted

3b. Centre

2



Single Infill Fitted



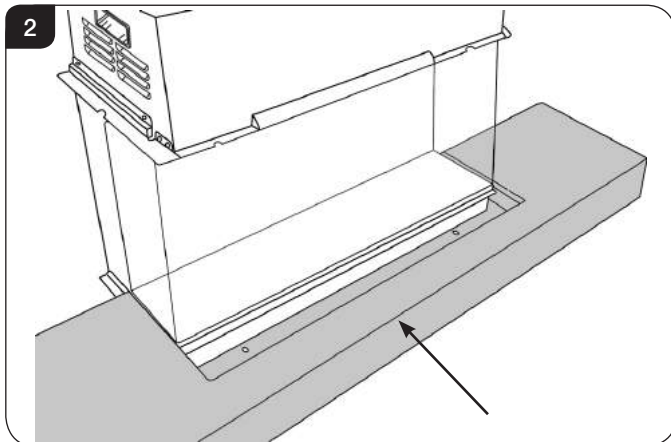
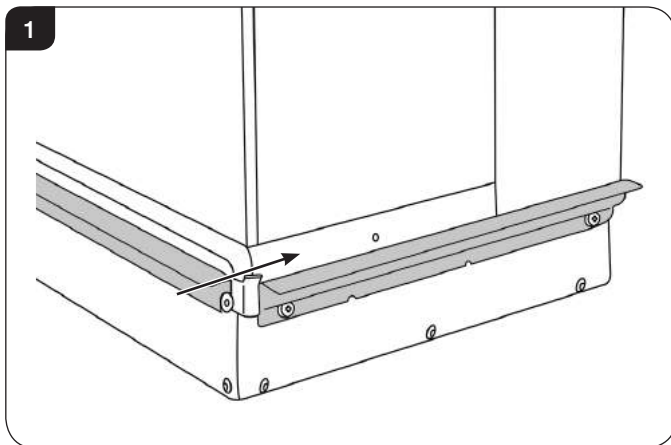
Two Infills Fitted

Installation Instructions - Centre Installation

1. Fitting the Surround

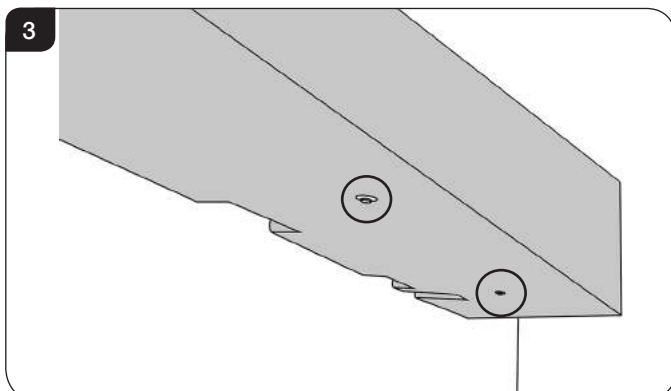
**BEFORE FITTING THE SURROUND:
SWITCH OFF THE APPLIANCE AND ISOLATE THE
POWER SUPPLY ENSURING THERE IS NO POWER TO
THE APPLIANCE.**

- 1.1 Fit the appliance to the wall of the desired location following the instructions provided, ensuring suitable space is left for the Trento shelf.
- 1.2 Slide the lower surround into position over the lower brackets, see Diagrams 1 & 2.

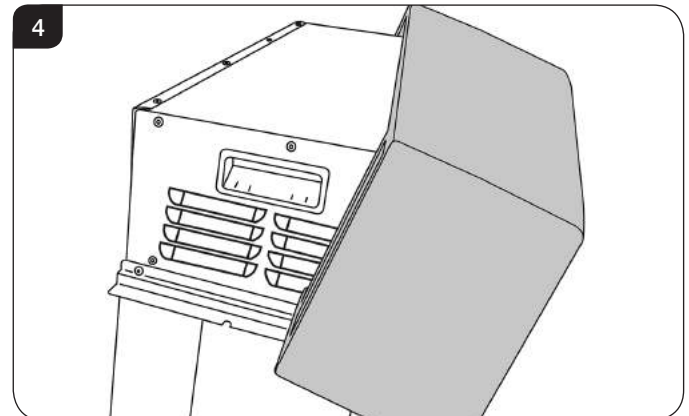


Once in position the surround should sit flush to the wall.

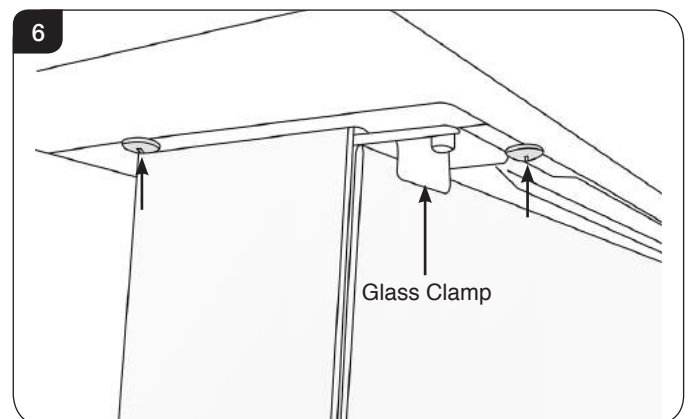
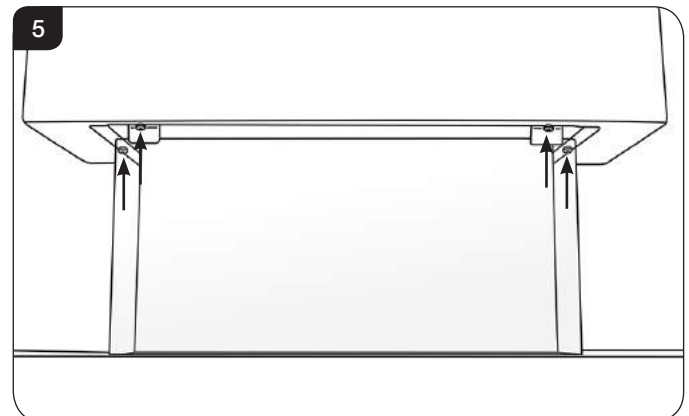
- 1.3 Using the long screws secure the surround to the appliance through the fixing holes on the underside of the surround, see Diagram 3.



- 1.4 Manoeuvre the upper surround into position on the top of the appliance, resting on the upper bracket, see Diagram 4.



- 1.5 Using the short screws secure the upper surround to the appliance bracket avoiding the glass clamps, see Diagrams 5 & 6. The screw positions can be determined by the slight indents in the brackets.



The method for fitting an Infill is the same for both offset and centre installations.

If fitting an Infill, see Section 4, Page 11.

If no optional extras are to be fitted, the installation is complete.

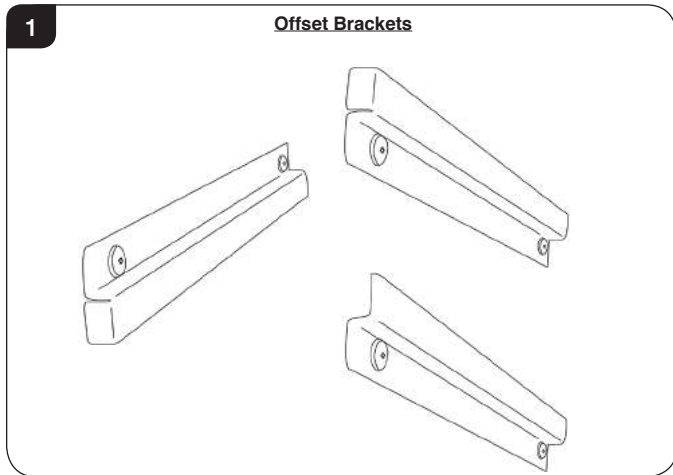
Installation Instructions - Offset Installation

1. Fitting the Brackets

**BEFORE WORKING ON THE APPLIANCE:
SWITCH OFF THE APPLIANCE AND ISOLATE THE
POWER SUPPLY ENSURING THERE IS NO POWER TO
THE APPLIANCE.**

**NOTE: BEFORE INSTALLING THE APPLIANCE ENSURE
THE CORRECT BRACKETS ARE FITTED. SEE
DIAGRAM 1.**

**THE APPLIANCE IS SUPPLIED WITH THE CENTRE
CONFIGURATION BRACKETS FITTED AS STANDARD.**

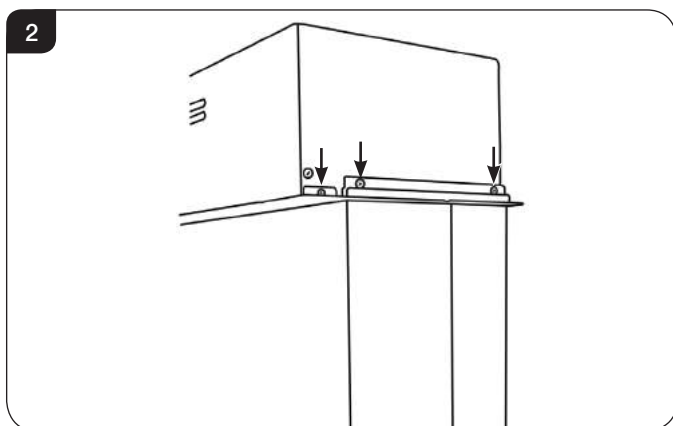


i If the appliance is to be installed with a right handed offset, the right hand brackets will need to be replaced. If left handed, replace the left hand brackets.

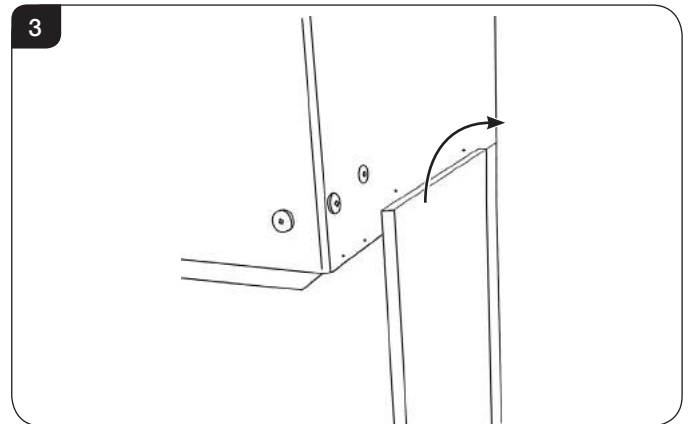
If the appliance is already installed Gazco recommend removing the appliance from the installation in order to change the brackets (see main instructions). The brackets are designed to be fitted prior to installation.

To change the brackets:

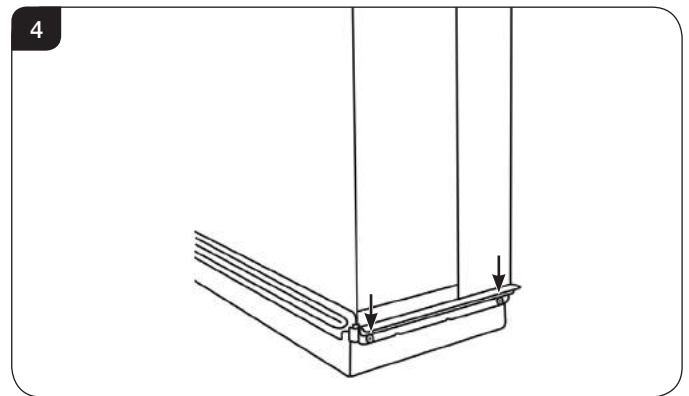
- 1.1 Support the bracket and remove the 3 screws, see Diagram 2.



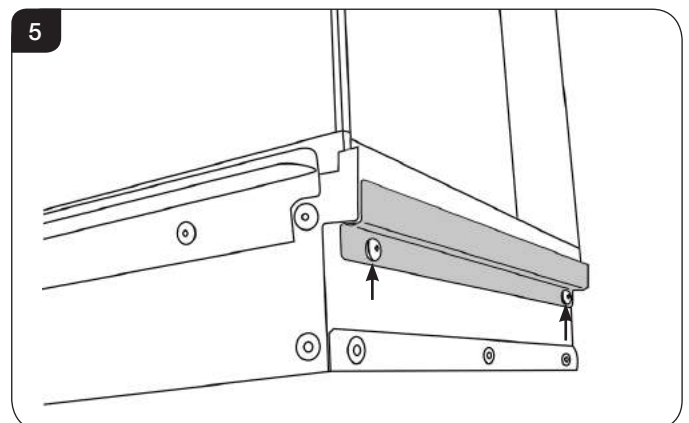
- 1.2 Carefully remove the side glass, see Diagram 3.



- 1.3 Remove the 2 Screws securing the lower bracket, see Diagram 4.

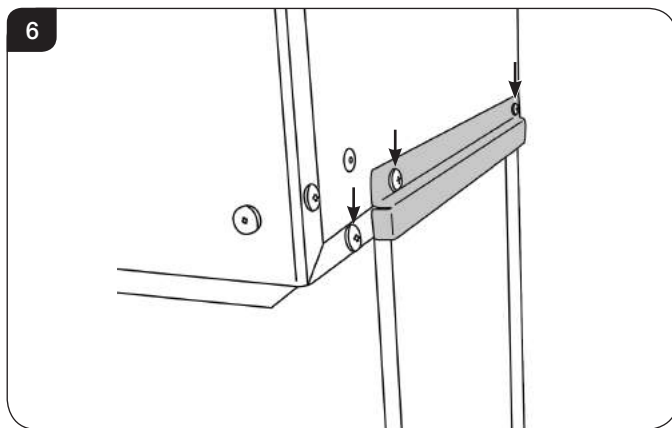


- 1.4 Fit the correct offset bracket ensuring both screws are replaced, see Diagram 5.



Installation Instructions - Offset Installation

- 1.5 Replace the side glass and support.
Fit the offset top bracket, ensuring all 3 screws are replaced, see Diagram 6.



- 1.6 Install the appliance, see main instructions.

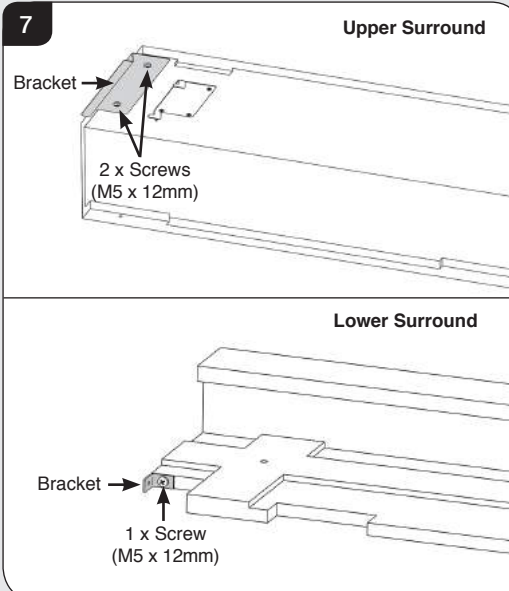
2. Fitting the Surround

The following instructions assume a right-handed installation. If fitting the surround to a left-handed installation the instructions are still correct, however, the images may not wholly reflect the installation in question.

ENDCAP INSTALLATION ONLY:

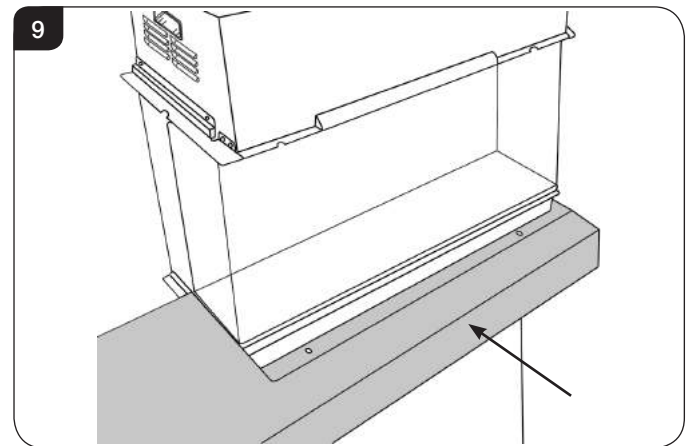
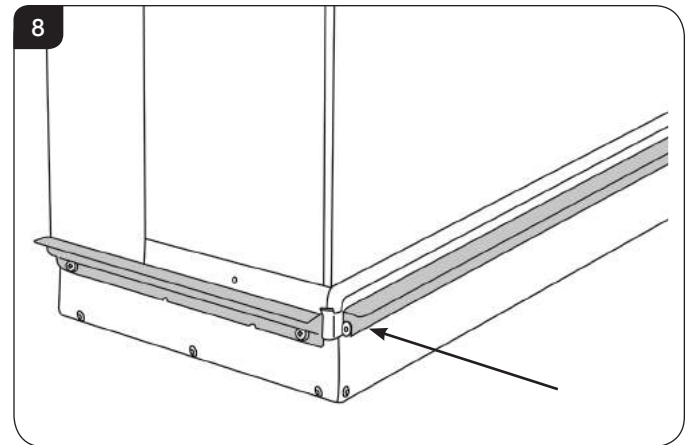


If fitting an End Cap, ensure the End Cap Fixing Brackets are fitted to both the lower and upper surrounds, see Diagram 7.



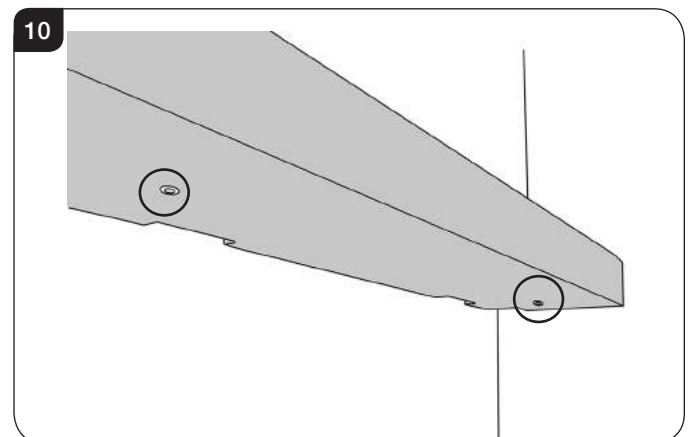
NOTE: THIS MUST BE DONE BEFORE FITTING THE SURROUNDS TO THE APPLIANCE.

- 2.1 Slide the lower surround into position over the lower brackets, see Diagrams 8 & 9.



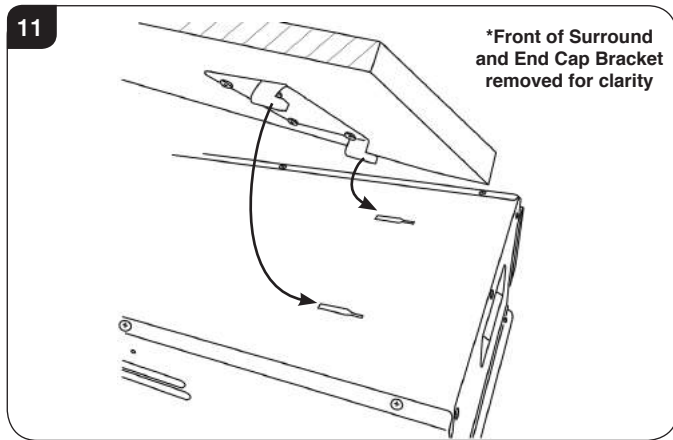
Once in position the surround should sit flush to the wall.

- 2.2 Using the long screws secure the surround to the appliance through the fixing holes on the underside of the surround, see Diagram 10.

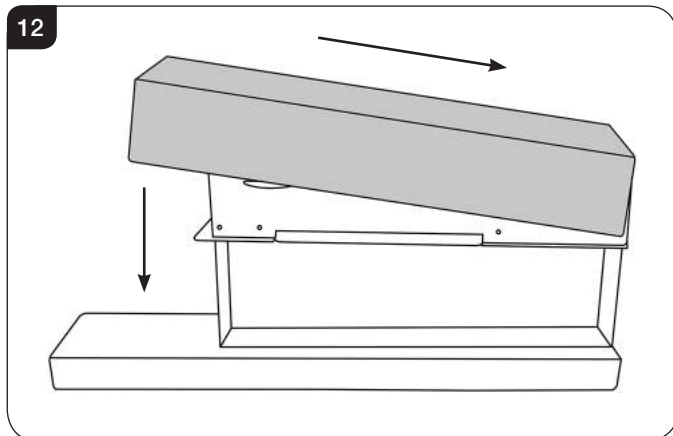


Installation Instructions - Offset Installation

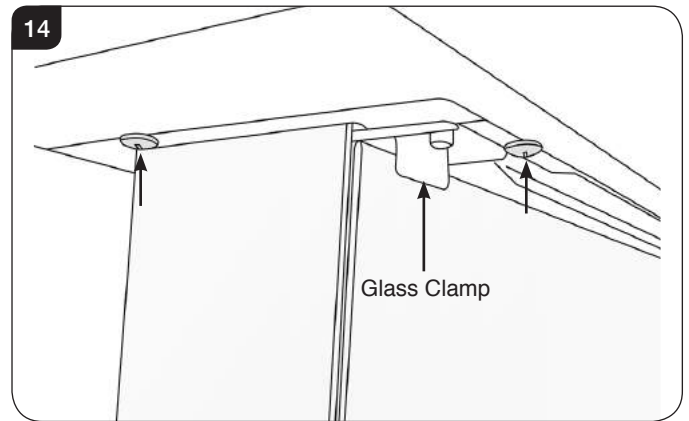
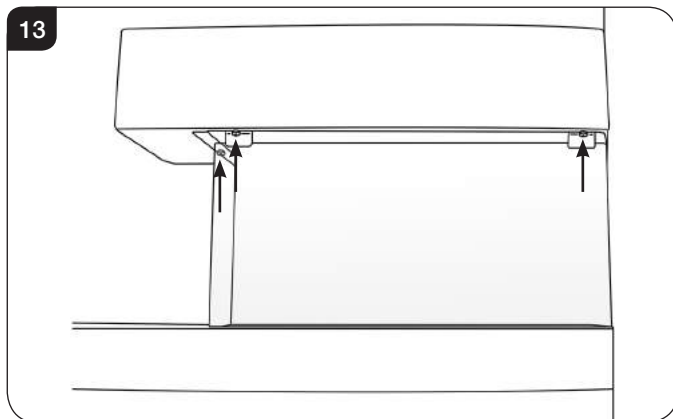
2.3 Position the upper surround on the top of the appliance, ensuring that the locating tabs sit in the slots on the roof of the appliance, see Diagram 11.



2.4 With the tabs in the slots, lower the surround into position and slide to the right (left if a left-handed installation), ensuring the surround sits flush on the appliance brackets, see Diagram 12.



2.5 Using the short screws secure the upper surround to the appliance bracket avoiding the glass clamps, see Diagrams 13 & 14. The screw positions can be determined by the slight indents in the brackets.

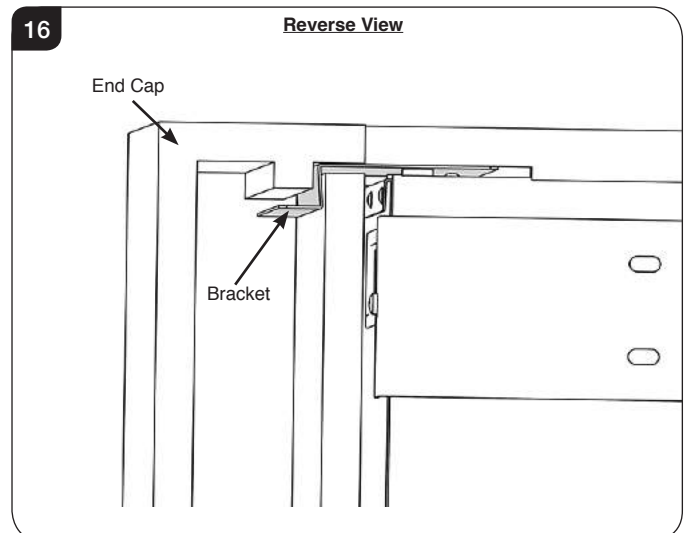
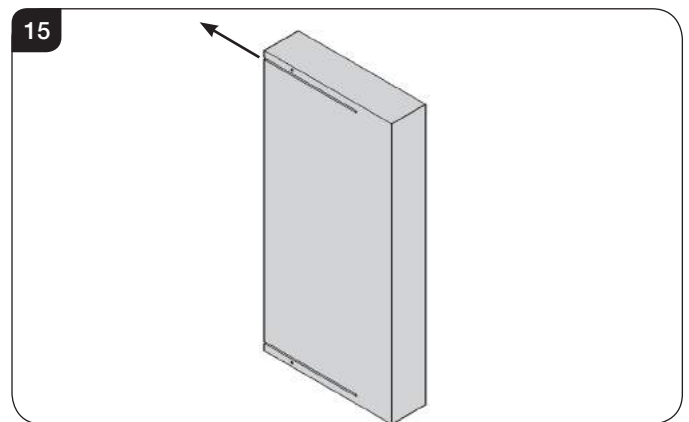


If fitting an End Cap, see Section 3.
If fitting an Infill, see Section 4.
If no optional extras are to be fitted, the installation is complete.

3. Fitting the End Cap

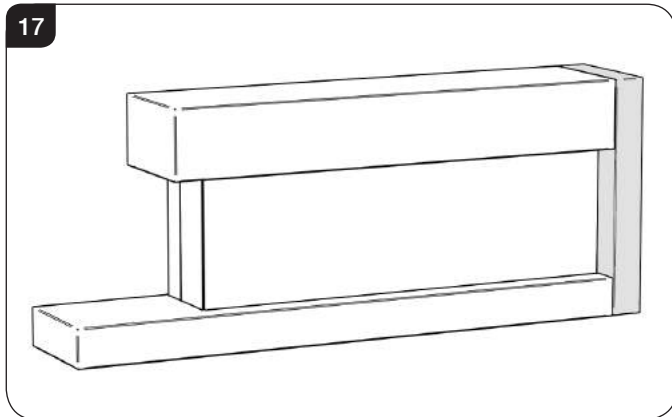
3.1 Ensure the End Cap Fixing Brackets are fitted to the upper and lower surround, see Section 2.

3.2 The End Cap has 2 locating slots on one side. The Upper Surround Bracket slides into the upper locating slot and holds the End Cap in place, see Diagrams 15 & 16.

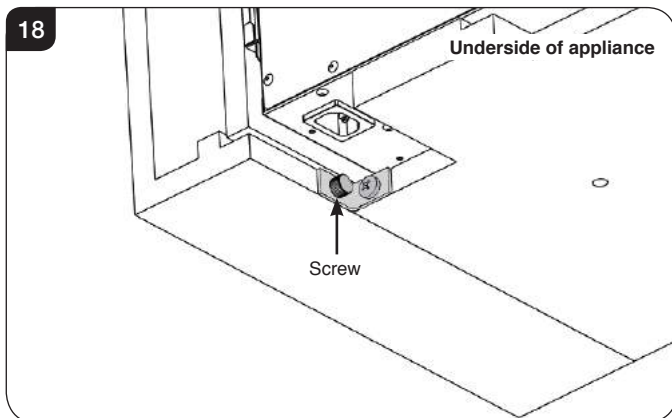


Installation Instructions - Offset Installation

- 3.3 Slide the End Cap over the brackets until flush to the wall, see Diagram 17.



- 3.4 Tighten the remaining screw to fasten the Lower Surround Bracket to the End Cap, See Diagram 18.

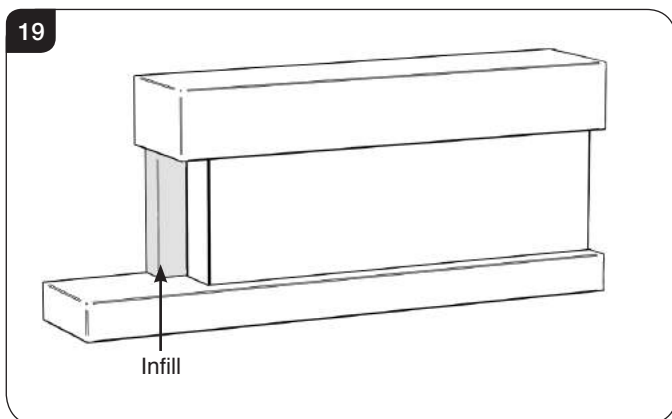


If fitting an Infill, see Section 4. If no additional optional extras are to be fitted, the installation is complete.

4. Fitting the Infill

The Infill is designed to stand independently and no additional fixing is required.

- 4.1 Place the infill in the desired position, see Diagram 19.



- 4.2 The installation is complete.

Gazco Limited, Osprey Road, Sowton Industrial Estate, Exeter, Devon, England EX2 7JG
Technical Customer Services: (01392) 261950 Fax: (01392) 261951
E-mail: technicalservices@gazco.com

A member of the Stovax Group
E & O E