

INSTALLATION & USER INSTRUCTIONS

WALL INSET GAS FIRES

ekofires

Christchurch, Dorset BH23 2BT

Tel: 01202 588 638

Fax: 01202 499 639

www.ekofires.co.uk

e-mail: sales@ekofires.co.uk

MODELS COVERED BY THESE INSTRUCTIONS

8010 WALL INSET GAS FIRE

8020 WIDE WALL INSET GAS FIRE

AVAILABLE IN SLIDE CONTROL & REMOTE CONTROL



MODEL SHOWN : EKO 8010 WALL INSET GAS FIRE

3 year guarantee



IN THE UK ALWAYS USE A GAS SAFE REGISTERED ENGINEER TO INSTALL, REPAIR OR SERVICE THIS APPLIANCE

Please note : Except where otherwise stated, all rights, including copyright in the text, images and layout of this booklet is owned by Focal Point Fires plc. You are not permitted to copy or adapt any of the content without the prior written permission of Focal Point Fires plc.

All instructions must be handed to the user for safekeeping.

Revision A - 05/17

Section	Contents	Page No.	Section	Contents	Page No.
1.0	Important Notes	2	8.3	Assembling the Appliance	8
2.0	Appliance Data	3	8.4	Operating the Appliance	9
3.0	Installation Requirements	3	8.5	Operating Pressure - Manual, Slide & Remote Controls	9
4.0	Site Requirements	3	8.6	Flue Spillage Monitoring System	9
4.1	Debris Collection Space	4	8.7	Testing for Spillage	9
5.0	Ventilation	5	8.8	Final Assembly	10
6.0	Unpacking the Appliance	5	8.9	Fitting the Decorative Frame Assembly	10
6.1	Component Checklist	5	9.0	Briefing the Customer	10
7.0	Preparing the Appliance	5	10.0	Servicing	11
7.1	Preparing the Opening	6	10.1	Cleaning the Ceramics	11
7.2	Gas Supply Routing	6	10.2	Removing the Burner	11
7.3	Installing the Firebox	7	10.3	Servicing the Burner	11
7.4	Installing the Ceramic Tiles	7	10.4	Pilot Assembly	11
7.5	Installing the Burner	8	10.5	Removing the Firebox	12
7.6	Gas Connection	8	10.6	Replacing the Batteries- Remote Controls	12
8.0	Testing and Commissioning	8	10.7	Replacing the Batteries- Slide Controls	12
8.1	Spark Gap	8	11.0	Troubleshooting Guide	12
8.2	Installing the Ceramics	8	11.1	Troubleshooting Guide- Remote Controls	13

1.0 IMPORTANT NOTES

- This appliance is an Inset Decorative Fuel Effect appliance which provides radiant warmth utilising the latest type burner technology.
- The fire is designed to suit various types of fireplaces and natural draught flues as detailed in this manual.
- The appliance must be installed by a competent person in accordance with Gas Safety (Installation and Use) Regulations 1998. It is strongly recommended that a GAS SAFE registered engineer be used for this purpose.
- Read all these instructions before commencing installation.
- This appliance must be installed in accordance with the rules in force and used only in a sufficiently ventilated space.
- This appliance is factory set for operation on the gas type, and at the pressure stated on the appliance data plate.
- In the event of gas leakage from the appliance, the gas supply must be turned off at the nearest isolating valve.
- The appliance must be installed in accordance with the following:
 - Manufacturers' Instructions.
 - The Building Regulations issued by the Department for Communities and Local Government, the Building Standards (Scotland) (Consolidation) Regulations issued by the Scottish Development Department.
 - Relevant British Standards insofar as the relevant areas are not covered by these instructions.
 - For Republic of Ireland, reference should be made to the current edition of IS813 (the relevant standards governing installation).
- Failure to comply with the above could lead to prosecution and deem the manufacturer's warranty invalid.
- The appliance is designed to fit various types of situations as described in sections 3.0 and 4.0.
- It should be noted that heaters create warm air currents. These currents move heat to wall surfaces next to the heater. Installing the heater next to vinyl or cloth wall coverings or operating the heater where impurities in the air (such as tobacco smoke, candle smoke etc.) exist, may cause the walls to become discoloured.
- **WARNING:** The manufacturer of this appliance considers all surfaces as working surfaces with the exception of the control knob
- **As with any gas fire, a fire guard complying with BS 8423 must be used in presence of pets, children, and the elderly or infirm.**
- Consult ALL instructions before installation and use of this appliance.
- This appliance is free from any asbestos material.
- Refractories and fuel bed are constructed from ceramic fibre.
- Slide control models :These appliances feature a battery-operated control system, and under normal usage will need a new battery approximately every twelve months.
Burner/spark generator requirements - 1 x AA (1.5 volt)
Refer to the appropriate section of these instructions for details of how to change the battery.
- Remote control models :This appliance features a battery-operated remote control system, and under normal usage will need new batteries approximately every twelve months.
Remote control Handset requirements - 1 x 'PP3' type (9 volt)
Receiver/motor unit requirements - 4 x 'AA' type (1.5 volt)
Refer to the appropriate section of these instructions for details of how to change the batteries.

2.0 APPLIANCE DATA

GB IE

Model	Country of Destination	Cat	Gas Type	Operating Pressure (±2.0 mbar)				Max Energy Input (kW)		Min Energy Input (kW)	
				G20	G25	G30	G31	Gross	Net	Gross	Net
Wall inset slide control models	GB - IE	I ₂ H	Natural Gas	20	-	-	-	3.8	3.4	2.0	1.8
Wall inset remote control models	GB - IE	I ₂ H	Natural Gas	20	-	-	-	3.8	3.4	2.0	1.8
Wide wall inset slide control models	GB - IE	I ₂ H	Natural Gas	20	-	-	-	4.4	4.0	2.2	2.0
Wide wall inset remote control models	GB - IE	I ₂ H	Natural Gas	20	-	-	-	4.4	4.0	2.2	2.0

Please see Data Badge affixed to appliance for current data. This appliance is for use only with the gas type, and at the pressure stated on the appliance Data Badge, and is for decorative purposes.

Specifications	Wall inset slide control models	Wall inset remote control models	Wide wall inset slide control models	Wide wall inset remote control models
Efficiency	70% (net), 63% (gross)	70% (net), 63% (gross)	70% (net), 63% (gross)	70% (net), 63% (gross)
Main burner injector	Stereo size 1.47	Stereo size 1.44	Stereo size 1.53	Stereo size 1.50
Oxypilot	Copreci 21100 2F/297	Copreci 21100 2F/297	Copreci 21100 2F/297	Copreci 21100 2F/297
Gas Control	Teddington TESA 3173/011	Mertik Maxitrol GV60 series	Teddington TESA 3173/011	Mertik Maxitrol GV60 series
Gas Inlet	All models - 8mm compression - Inlet restrictor elbow			
Ignition	Battery Spark	Battery Spark	Battery Spark	Battery Spark
Spark Gap	3.5 - 4.5mm	3.5 - 4.5mm	3.5 - 4.5mm	3.5 - 4.5mm
Flue specification	125mm (5in) minimum diameter flexible flue liner. 125mm (5in) minimum diameter twin wall flue conforming to BS 715.			

The efficiency of this appliance has been measured as specified in BS 7977-1:2009 +A1:2013 and the result is 63%. The gross calorific value of the fuel has been used for this efficiency calculation. The test data from which it has been calculated has been certified by bsi (0086). The efficiency value may be used in the UK Government's Standard Assessment Procedure (SAP) for energy rating of dwellings.

3.0 INSTALLATION REQUIREMENTS

This appliance **MUST NOT** be installed into a room containing a bath or shower, or where steam may be present. The fire has been designed to fit into a builders' opening or fireplace conforming to BS 1251 (and meeting certain dimensional requirements), which has been lined with a 125mm diameter flexible flue liner. The firebox must be installed onto a suitable non-combustible insulating surface at least 12mm thick, covering the entire base area of the firebox. The flue must have an effective height of at least three metres, as measured from the bottom of the appliance to the top of the flue. Any flue damper plates or restrictors should be removed and no other restriction fitted to the flue. Where removal is not practical, the restriction must be fixed in the fully open position.

The fire is suitable for twin wall 125mm diameter flue and flue liner which fits directly on to the appliance. If previously used for solid fuel or oil burning, the flue and chimney must be swept prior to appliance installation. The flue must be checked before installation by using a smoke pellet or similar to ensure proper draw and that leakage is not evident at any joints. Repair and re-test as necessary before the appliance is installed. The flue must be connected to only one fireplace, and the flue must not vent more than one appliance (i.e. not shared with a gas back boiler). There must be no opening in the flue apart from the one that the appliance is installed into, and the one venting the gases into the air. A suitable terminal may be fitted, such as class GCI, as regulations allow.

4.0 SITE REQUIREMENTS

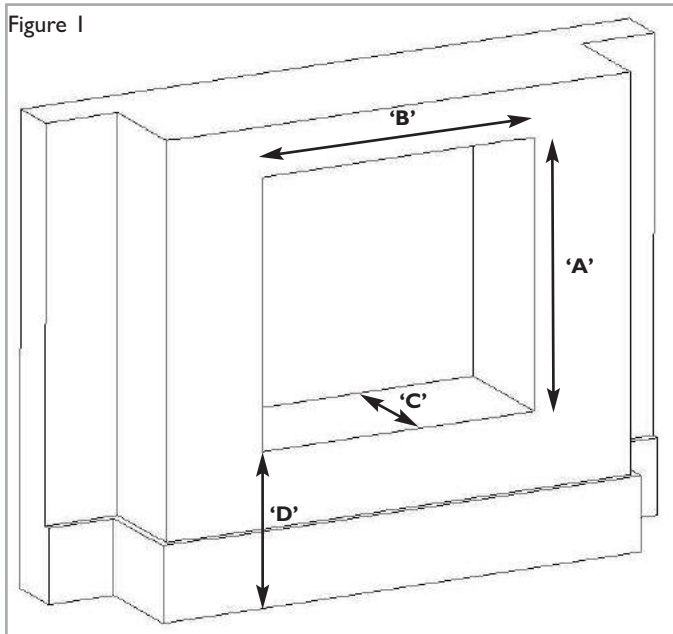
These appliances have been tested for use with circular flues of a minimum internal diameter of 125mm. The fireplace opening should be inspected and repairs made where necessary.

All models : This appliance requires a natural draught flue system which may be one of the following:

- 125mm (5in) minimum diameter flexible flue liner.
- 125mm (5in) minimum diameter twin wall flue conforming to BS 715.

Whilst a hearth is not required under regulations, it may be advisable to fit a hearth as a tactile barrel against “walk on” or clothes drying.

Any existing under grate draught device must be sealed off. The fireplace wall must be non-combustible.



Note: dimensions in italics refer only to wide wall inset models.

'A'. Opening height: 530mm - 535mm.

'B'. Opening width: 567mm min/587mm max. (***867mm min/887mm max***).

'C'. Mounting depth: minimum 250mm.

'D'. The distance from the floor must be 100mm or greater.

Maximum depth of shelf	Minimum distance from bottom of the appliance surface to underside of shelf
100mm	745mm
150mm	845mm
203mm	895mm

A combustible shelf may be fixed to the wall above the fire, providing that it complies with the dimensions given below.

A non-combustible shelf may be fitted to within 10mm of the top edge of the fireframe. Combustible materials, such as wood, may be fitted to within 100mm of either side of the fireplace opening, providing the forward projection does not exceed 100mm. Any combustible side walls must be at least 500mm to the side of the radiant heat source. As with all heating appliances, any decorations, soft furnishings, and wall coverings (i.e. flock, blown vinyl and embossed paper) positioned too close to the appliance may discolour or scorch.

The wall for 300mm above the fireplace must be of a non combustible material able to withstand 120°C. Such as calcium silicate board, brick or stone.

No purpose provided ventilation is normally required for this appliance. The requirements of other appliances operating in the same room or space must be taken into consideration when assessing ventilation. If spillage is detected when commissioning the appliance, then amongst other problems there may be insufficient natural ventilation for correct operation of the flue. If the appliance does not spill with the windows open, but spillage is detected with the windows closed, this demonstrates a lack of natural ventilation. If spillage is still detected with the windows open, the flue is at fault. Installation of an air brick is the best solution to lack of ventilation. Any ventilation fitted must comply with BS 5871 part 2 and BS 5440 part 2. Vents fitted under or within the immediate vicinity of the appliance must not be used as adverse effects to the operation of the ODS may occur. Spillage detected during commissioning is almost always a result of poor flue performance that cannot be corrected by any amount of ventilation. For Republic of Ireland ventilation may be required, see IS 813, ICP3, IS 327, and any other rules in force.

6.0 UNPACKING THE APPLIANCE

Remove the outer packaging, remove any instructions. Read ALL these instructions before continuing to unpack or install this appliance. Lift off the remaining packaging components and remove the contents of the box. Check that the components supplied correlate with the component checklist. Please dispose of all the packaging materials at your local recycling centre.

6.1 COMPONENT CHECKLIST

QUANTITY	DESCRIPTION
1	Firebox and burner tray assembly
1	Decorative frame
1	Flue adapter assembly
3	Individual ceramic logs (Wall inset models only)
10	Individual ceramic logs (Wide wall inset models only)
1	Fixing kit; 4x screws 4x wall plugs
1	Sealing grommet
1	Remote control Handset (Remote control models only)
1	Set of manufacturers instructions
4	M5 screws
1	Tiled ceramic set (2 x side tiles & 1 x back tile)
2	No.8 x 5/16" screws
2	"L" brackets
2	M4 screws

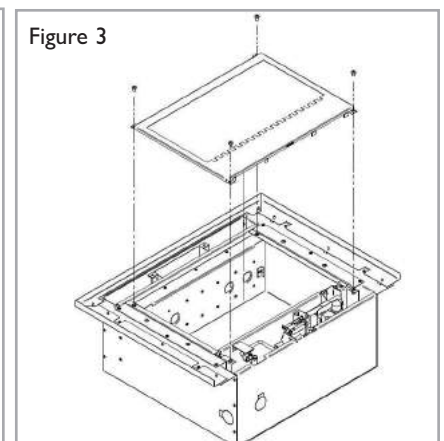
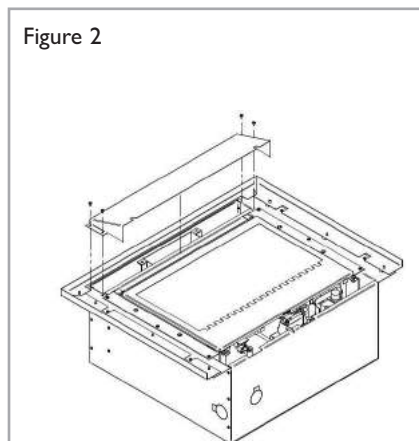
7.0 PREPARING THE APPLIANCE

Note: Ensure that the gas supply is isolated before commencing installation of the appliance.

The fireplace opening and environment must be in compliance with specifications laid down in the appropriate sections of these instructions.

Remove the appliance from its carton as described previously and lay the appliance on its back, on a dust sheet or similar. Place the decorative frame, logs, ceramics and fixings safely to one side. Remove the hood from the assembly by removing the retaining screws either side of the hood. See figure 2.

Next, remove the glass assembly by unscrewing the screws in each of the corners.



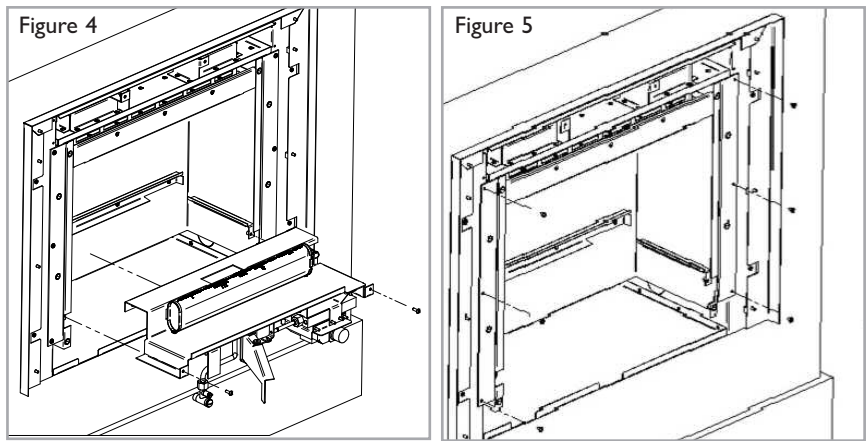
Remove the burner unit by removing the two screws either side of the burner as shown in figure 4.

The tray is now free, and may be lifted away. Remove the internal firebox from the external firebox via the six screws highlighted in figure 5.

SUPPLY PIPE ENTRY (All models):

Knockout holes are provided in the rear, the sides and the bottom of the firebox for use where concealed pipework is required. Where necessary, knock out the appropriate hole with a sharp tap from a hammer, and fit the rubber grommet supplied.

A small incision can now be made in the rubber to slip snugly around the outside of the pipe and sleeving. **Do not install or use the appliance without the seal in place.** If a hole is inadvertently opened, reseal with an intact grommet. Failure to fit the seal correctly will cause flue suction to act upon the area under the burner, resulting in poor performance and intermittent cutting out of the burner.



7.1 PREPARING THE OPENING

Before installing the fire, check the flue using a smoke pellet. All of the smoke should travel up the flue and exit correctly from the terminal. If problems are found, DO NOT fit the fire until corrective action is completed. Before running the gas supply into the opening, offer up the firebox to the fireplace opening to check the fit is good. Ensure that it slides in correctly, the sealing face sits flat and square to the wall or infill panel, and that the base is firm on the floor of the opening as no leaks are permissible here. At this stage it is essential to ensure that the outlet of the fire is not restricted in any way. Remove the firebox and take any necessary measurements before making good and preparing for final installation.

SCREW FIXING : For fixing the appliance to the wall, mark and drill the relevant holes in the firebox on the wall. Insert the wall plugs into the wall. Insert the firebox back into its correct position and fasten the firebox to the wall using the screws provided.

GAS SUPPLY : Following preparation for the fixing method, the concealed gas supply, where required, can now be put into place. Refer to the gas supply section for suggested pipe routes. The ends of the sleeving in which the gas pipe is run should be sealed. The ends of the 8mm supply pipe should be temporarily sealed to prevent the ingress of debris during fixing.

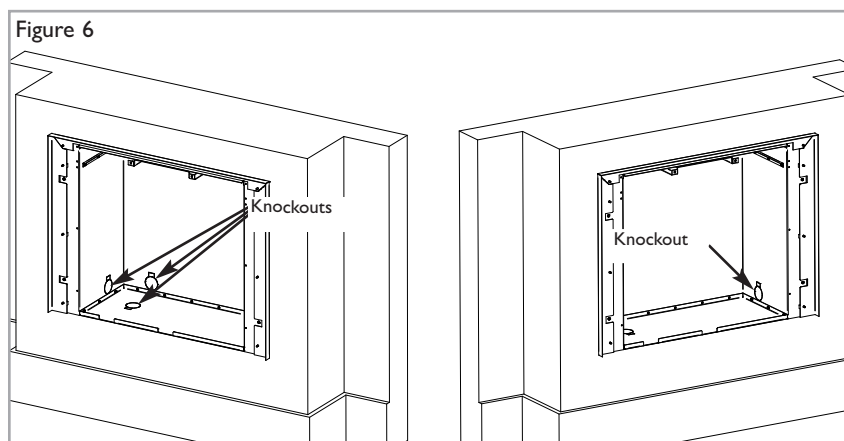
PLEASE NOTE: Ensure fire can be removed for ease of servicing and not siliconed.

7.2 GAS SUPPLY ROUTING

When the opening is ready for installation of the fire, the gas supply may be routed as per the examples shown in figure 6.

IMPORTANT - Wherever a concealed connection is made a rubber grommet must be used to seal the firebox.

The gas pipe must be suitably protected where it passes through fireplace openings. Any sleeving should be sealed to the pipe at its ends. This appliance is fitted with an inlet restrictor elbow. Using 8mm diameter pipe, connect the appliance to the gas supply point. The appliance must be fitted with rigid or semi-rigid pipe of 8mm external diameter. The appliance is factory fitted with an inlet restrictor elbow. Use a minimum length of 8mm pipe, less than 1.5m where possible, as a long run of pipe may cause an unacceptable drop in the supply pressure. The open end of the supply pipe should be sealed temporarily during the installation of the firebox to prevent the ingress of dirt and dust. **Soldered joints are not recommended.**



7.3 INSTALLING THE FIREBOX

GB IE

Remove any protective film coatings from the finished/decorative surfaces of the appliance. After having selected the final mounting position of the appliance, taking into account the requirements as specified in sections 3 and 4 of these instructions, the integrity of the wall, and the feasibility of the proposed supply pipe routing, the firebox of the appliance may be secured to the wall.

WARNING

The wall where the appliance is to be installed must be capable of long-term support of the total load of the appliance. Measures should also be taken to ensure sufficient strength to withstand the force of earthquakes, vibration and other external forces.

To ensure customer safety, be sure to design the installation so that the strength of both the wall and any wall fixings used are sufficient.

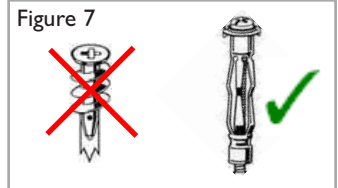
Focal Point Fires plc. assumes absolutely no responsibility for injuries and/or damages that may occur due to improper installation or handling. The appliance should not be installed until all wet plastering and/or dry wall sanding and wall painting has been completed. Do not block the ventilation holes of the appliance.

The wall onto which the appliance is installed must be flat. Install only on a vertical surface. Avoid sloped surfaces. Installation onto anything other than a vertical wall may result in fire,

damage or injury. If the appliance is to be mounted on the inner leaf of a conventional cavity brick wall, or a solid wall, then the wall plugs and fixing screws provided may be used. Depending on the condition of the wall it may be necessary to use additional fixings. In this situation, any additional fixings and wall plugs should be of the same size and type as the ones provided. At the appropriate stage of the installation, drill four holes using only a 8mm masonry bit to a depth of 42mm. Insert the wall plugs provided ensuring they are flush to the wall.

The wall should be strengthened using appropriate building materials.

If there is no alternative than to rely on some plasterboard fixings then special cavity screw fixings or hollow wall anchors will be required which are not supplied with this product. These should be constructed from metal and not plastic and of the design indicated in figure 7.



Fixing the appliance - All Models

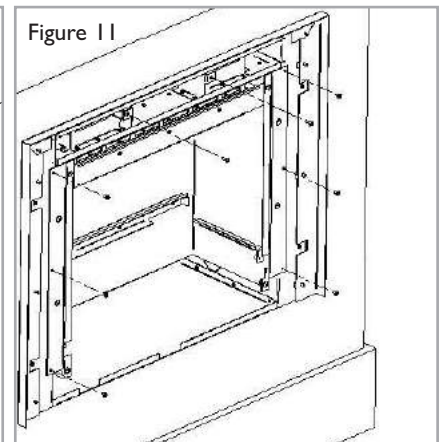
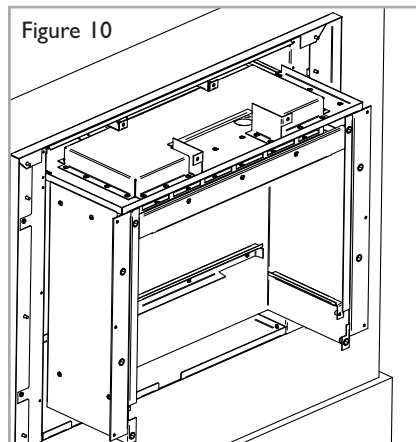
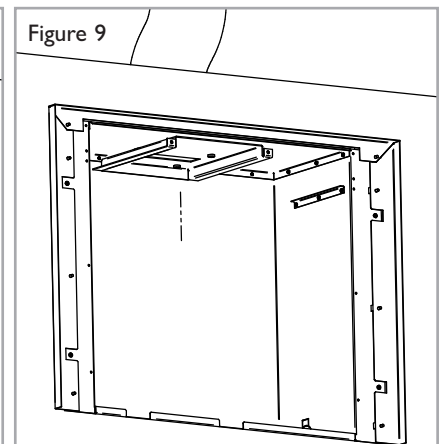
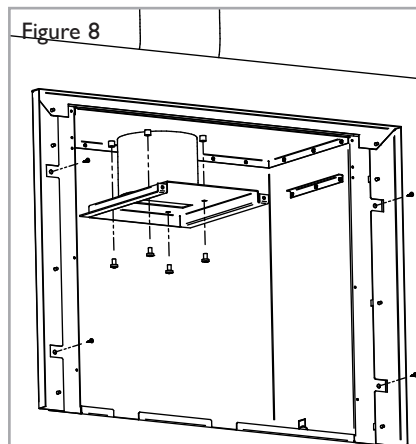
Offer the appliance into the opening to ensure a good fit, once in the final position mark the positions shown in figure 8 on the wall. If a concealed gas connection is to be made ensure the gas supply pipe is in its final position and can enter the appliance in the correct position when the appliance is installed into the opening.

Drill the wall as appropriate for the type of wall as previously described in this section, and insert the chosen type of wall fixings. Insert the wall fixing screws into the top wall plugs.

Insert the lower fixing screws into the lower wall plugs through the corresponding fixing holes in the lower part. Locate the flue through the top of the firebox and attach the bottom of the flue liner to the flue adapter. Seal the two together using self tapping screws and aluminium tape (not supplied).

Screw the flue adapter to the top of the external firebox, ensuring the flue is still attached in the correct position.

Next, using the guides in the top of the left hand and right hand of the external firebox, guide the internal firebox into position. Once in position, screw the 6 self tapper screws and 2 M4 screws at the top to secure the two fireboxes together.



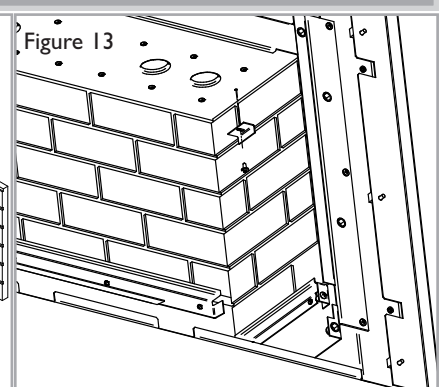
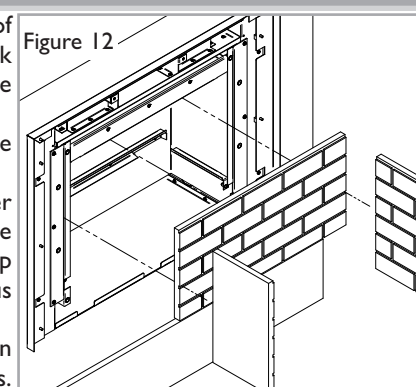
7.4 INSTALLING THE CERAMIC TILES

Carefully insert the rear brick panel into the rear of the firebox, behind the bottom lip. Ensure the brick effect is in the correct orientation, with the lip on the top edge.

Install one side brick panel in the left hand side of the firebox, behind the bottom return.

Install the right hand brick panel in the same manner (the brick effect panels are not labelled). Ensure the brick effect is in the correct orientation, with the lip on the top edge, so the brick effect is continuous around the firebox.

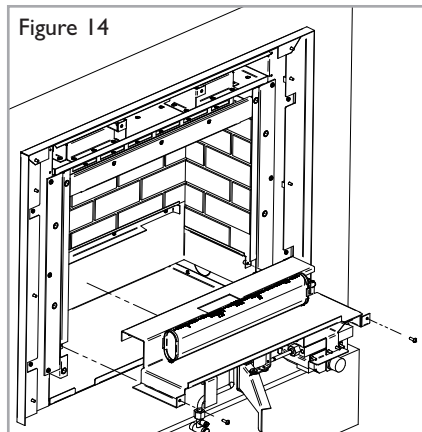
Next screw the "L" ceramic clamps into position in both side of the firebox with the self tapping screws.



7.5 INSTALLING THE BURNER

GB IE

Replace burner unit by screwing the two screws either side of the burner as shown in figure 14.



7.6 GAS CONNECTION

Important Note: Check the thermocouple nut connection into the rear of the valve is secure.

Temporarily fit the burner unit and ensure a suitable gas route can be achieved. Purge the gas supply thoroughly to remove air and dirt/debris before connection. Disconnect the inlet restrictor elbow from the inlet pipe.

Connect the previously installed gas supply to inlet restrictor elbow. Place the burner unit into the firebox making sure that the rear of the burner bracket fits into the rear of the firebox. Fit the two screws through the burner support brackets to secure the burner assembly into position. Re-fit the restrictor elbow to the inlet pipe of the appliance.

8.0 TESTING AND COMMISSIONING

Turn on and test the gas supply up to the fire for any leaks, in accordance with current edition of BS6891.

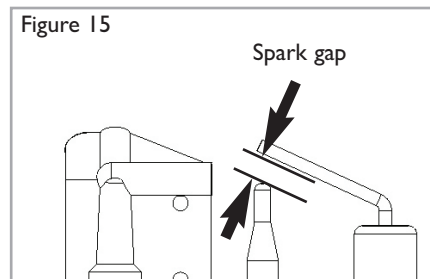
When the appliance is first used, protective oils coating the burner may burn off. It is advisable to ventilate the room during this period for at least one hour.

8.1 SPARK GAP

The spark gap (shown in figure 15) between the spark electrode and the thermocouple should be 3.5 - 4.5mm to produce a good spark.

There should be no need to adjust this.

If under any circumstances the electric spark fails, the pilot may be lit manually by proceeding with the ignition sequence as previously described, and after sliding the control knob through the spark position, the knob should be held fully to the right and the pilot lit with a taper.

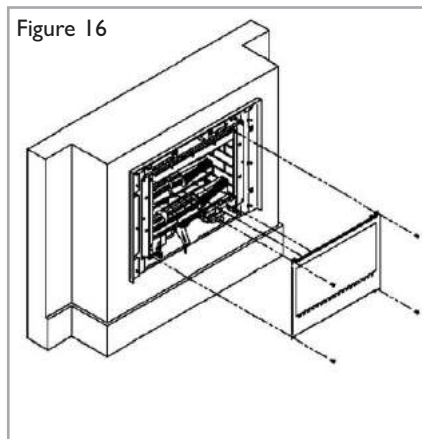


8.2 INSTALLING THE CERAMICS

For installation of the fuel bed layout, refer to sections 7.0 and 7.1 of the user instructions.

8.3 ASSEMBLING THE APPLIANCE

Re install the glass assembly, by screwing the screws in each of the corners of the glass assembly.



8.4 OPERATING THE APPLIANCE

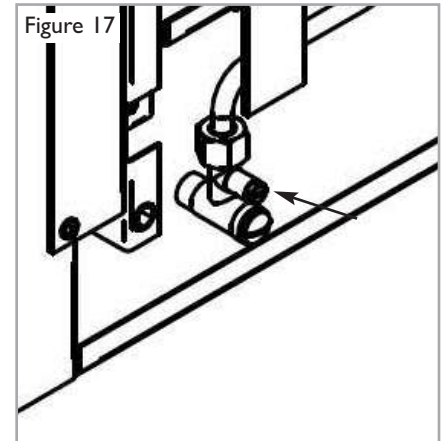
GB IE

For operating instructions for the appliance please refer to sections 5.0 and 5.1 of the users instructions.

8.5 OPERATING PRESSURE - SLIDE & REMOTE CONTROLS

Release the pressure test point screw, and attach a pressure gauge. Light the fire on the HIGH setting. To commission the appliance, the operating pressure must be in accordance with the figures stated in section 2.0 of these instructions. The fire is factory set to achieve the correct flow rates at the specified inlet pressure.

Any significant variation in the inlet pressure could indicate a supply problem. If the inlet pressure is too high, the gas supply meter/governor may be set incorrectly. This should be checked with the fire running and if necessary reset by the gas supplier. If the inlet pressure is too low, then check the meter/governor pressure with the appliance running. If this is less than the inlet pressure stated in section 2.0 of these instructions it will need to be reset by the gas supplier. If the inlet pressure is too low, but the meter/governor pressure is acceptable, then a problem in the supply pipework is to be suspected. Upon satisfactory checking of the inlet pressure, turn the fire off, disconnect the pressure gauge and refit the test point screw. Light the fire and check for gas soundness. In the event that the inlet pressure is not in accordance with the figures stated in the data section of these instructions, the appliance must not be commissioned, and the problem investigated and rectified.



Slide control models : The pressure test point is located on the left hand side of the burner.

Remote control models : The pressure test point is located on the left hand side of the burner.

Release the pressure test point screw, and attach a pressure gauge. Light the fire on the HIGH setting. To commission the appliance, the burner pressure must be in accordance with the figures stated in section 2.0 of these instructions.

The fire is factory set to achieve these pressures and any significant variation could indicate a supply problem. If the pressure is too high, the gas supply meter may be set incorrectly. This should be checked with the fire running and if necessary reset by the gas supplier.

Upon satisfactory checking of the burner pressure, turn the fire off, disconnect the pressure gauge and refit the test point screw. Light the fire and check for gas soundness. In the event that the burner pressure is not in accordance with the figures stated in the data section of these instructions, the appliance must not be commissioned, and the manufacturer should be contacted for guidance.

8.6 FLUE SPILLAGE MONITORING SYSTEM

This fire is fitted with a flue spillage safety device (ODS). If the fire shuts down during use for no apparent reason then several things may be suspected. If a door or window has been opened creating a draught, then pilot disturbance is the problem, and removal of the draught should resolve this. The gas pressure reaching the fire must also be checked (again, recall your installer to check and rectify any problem). The thermocouple connection into the back of the gas control valve may also have worked loose during installation, simply get the installer to tighten. If pilot disturbance is not the cause, then the ODS safety system may be in operation. Switch the appliance OFF, check the flue and carry out any remedial work required. Relight the fire and carry out a spillage test.

DO NOT allow the appliance to be used if it continues to fail a spillage test. The aeration hole of the pilot must be carefully cleaned out on each annual service to ensure continued function of the ODS. The spillage monitoring system shall not be adjusted, modified, or put out of operation by the installer. Any spare parts fitted MUST be of a type supplied for the purpose by the appliance manufacturer. If the fire is not spilling, then further guidance should be sought, using the Troubleshooting section as a guide.

8.7 TESTING FOR SPILLAGE

Let the fire run on HIGH for five minutes. Take a smoke match and put in the smoke match tube. Light the smoke match and position the end of the smoke match tube centrally next to the draught diverter as shown in figures 19 and 20.

Figure 18 : Cross section of smoke match tube

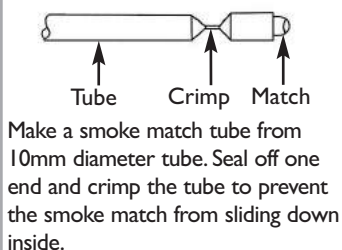


Figure 19 : Note; insert the smoke match tube centrally

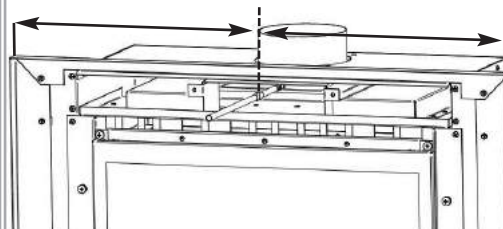
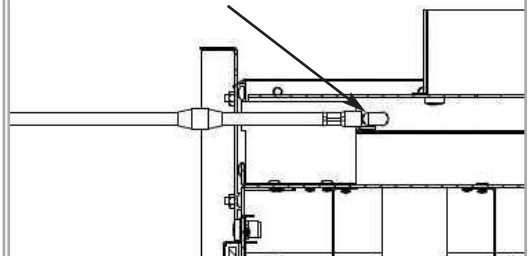


Figure 20 : Section view of the draft diverter

Note; insert smoke match tube until the end of the tube touches the draft diverter baffle



All the smoke should be drawn away up the flue.

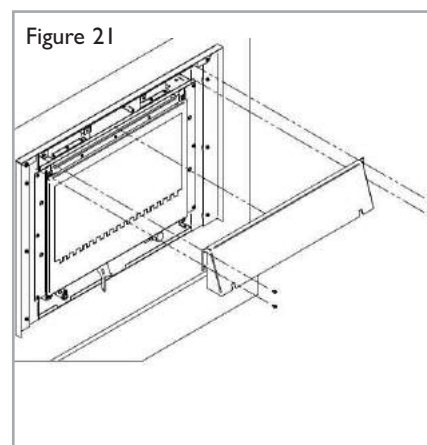
Any smoke returning into the room indicates that spillage is occurring.

If the spillage test fails and the spigot restrictor is fitted, remove the spigot restrictor, re-fit and re-test. If the initial spillage test fails, run the fire for a further 10 minutes and repeat the test. When the test has been completed satisfactorily, repeat with any extractor fans in the premises running on the highest setting, and any communicating doors open. Finally, repeat with all doors open.

DO NOT allow the fire to be used until the test is satisfactorily passed. Once the test has passed re install the hood and decorative frame.

8.8 FINAL ASSEMBLY

With the four self tapping screws, screw the hood back into position. See figure 21.



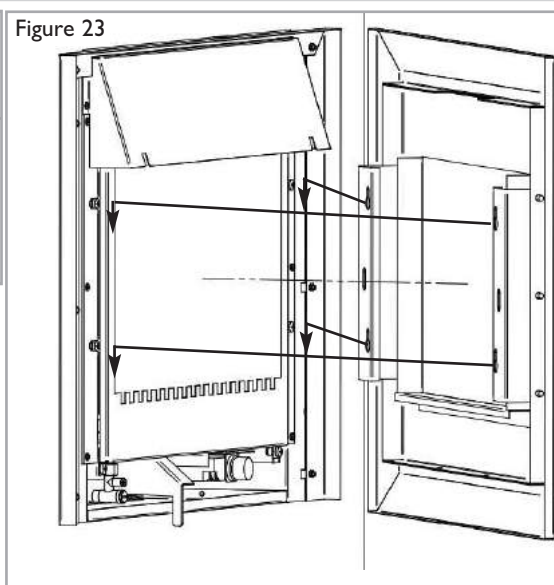
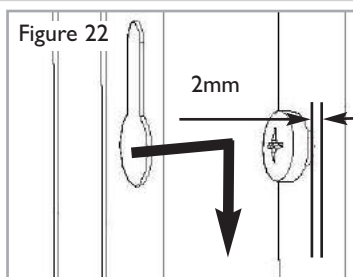
8.9 FITTING THE DECORATIVE FRAME ASSEMBLY

Remove the fascia panel from any protective packaging.

The fascia panel is supported by four M6 screws which protrude from the front of the firebox.

Ensure each screw is unscrewed approximately one turn from the fully screwed in position in order to create a 2mm gap

(shown in figure 22). Hang the fascia panel onto the firebox ensuring that the corresponding keyhole shaped holes engage the screw heads fully.



9.0 BRIEFING THE CUSTOMER

All instructions must be handed to the user for safekeeping. Show the customer how to light and control the fire. After commissioning the appliance, the customer should be instructed on the safe use of the appliance and the need for regular servicing. Frequency of service depends on usage, but **MUST** be carried out at least once annually. Advise that cleaning of the fire may be achieved when the fire is cold. Please refer to section 9.0 of the user instruction manual.

Scratched and other superficial damage to the matt black paintwork of the appliance can be covered with matching heatproof spray. Use only the manufacturers' recommended spray paint. Paint only when the fire is **OFF** and cold. Always mask off the surrounding area to prevent contamination with overspray. Ventilate the room during the use of the spray. **DO NOT** attempt to spray paint the ceramics, or wash them in water.

Advise that the fire will emit a "newness" smell for a time after initial commissioning and that extra ventilation may be needed during this time. Advise that the fire is fitted with a spillage safety device (O.D.S.). If the fire shuts down, this system may be in operation. If spillage is suspected, **SWITCH APPLIANCE OFF** and call in the installer to investigate any problems.

Isolate the fire from the gas supply. Ensure that the fire is fully cold before attempting service. A suggested procedure for servicing is detailed below

1. Lay out the dust sheet and tools.
2. Carefully remove the decorative front. (see section 8.9)
3. Remove the hood (4 screws).
4. Remove the glass door assembly (4 screws) and clean carefully.
5. Remove the ceramics and clean carefully as described in section 10.1
6. Disconnect the gas supply, and remove the two securing screws holding the burner tray in position.
7. Remove the burner tray.
8. Remove the firebox as described in section 10.5.
9. Check the fireplace opening for rubble accumulation and remove. If debris is excessive, initiate remedial work on the flue.
10. Check the flue with smoke pellet for correct operation.
11. Refit firebox using new seals where necessary.
12. Strip off the burner pipes and clean thoroughly.
13. Clean out the injector, pilot assembly and burner tube. DO NOT attempt to remove the pilot injector.
14. Re-assemble and re-fit the burner tray.
15. Turn on the gas supply, and leak test.
16. Refit the ceramics, glass door assembly.
17. Check any purpose provided ventilation is un-obstructed.
18. Light the fire and test for spillage.
19. Install the hood and the decorative front.
20. Check setting pressure and safe operation of the appliance.

For specific servicing instructions, see the relevant sections.

10.1 CLEANING THE CERAMICS

Remove the decorative front, the hood and the glass door assembly and place to one side. Remove the ceramic components. Gently clean in the open air. Be careful not to create dust from the logs. Where necessary replace damaged components with genuine spares. Seal scrap ceramic components in plastic bags and dispose at proper refuse sites as directed. Re-fit the logs by referring to the relevant section of these instructions.

10.2 REMOVING THE BURNER

Remove the decorative front, the hood and the glass door assembly and place to one side. Remove the two screws securing the tray to the firebox. Pull tray forward slightly and lift away. Refitting is the reverse of above, being sure to engage the tray location lugs on the shelf at the rear of the firebox.

10.3 SERVICING THE BURNER

Remove the burner unit as previously described. The pilot unit can be removed by withdrawing the tubing nut, the thermocouple nut on the rear of the valve, and the two securing screws, and lifting away. Remove the tubing nut from the valve end of the pilot pipe, and blow through to dislodge any debris.

Remove the two tubing nuts on the ends of the gas pipe to the injector elbow and blow clear. The injector pipe can now be checked for debris. Remove the nut retaining the injector elbow. Blow through the elbow to remove any debris.

The valve is not field serviceable, apart from the pilot filter.

10.4 PILOT ASSEMBLY

Remove the burner unit as in relevant section and pilot unit as described.

Clean the pilot assembly with a soft brush and blow through. Check the aeration holes are free of any dirt or lint. Clean thoroughly internally, the connection can be removed from the base of the pilot unit using two spanners to make cleaning easier. Do not damage or try to remove the pilot injector. The unit is factory set and the only check necessary is to ensure the spark gap is correct. See specifications for gap setting.

10.5 REMOVING THE FIREBOX

GB IE

Remove the burner unit as described previously. Protect the opening from potential damage. Remove the screws holding the inner firebox into position. Remove the four screws holding the flue adaptor into position. Disconnect the flue. Next, unscrew the external firebox from the wall. The firebox is now released from the opening and can be slid outwards. Inspect the fireplace opening for debris and if excessive rectify the flue before proceeding further. Check the seal around the fireframe and if necessary replace. Refitting of the firebox is as described in the fitting section of these instructions.

10.6 REPLACING THE BATTERIES (REMOTE CONTROL VERSIONS)

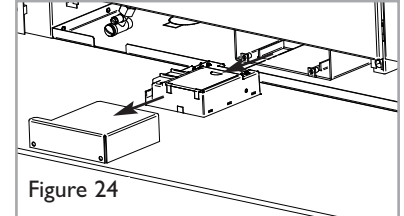
WARNING! DO NOT USE METAL TOOLS TO REMOVE THE BATTERIES. WARNING! The battery clip must not come into contact with metal parts after unplugging the external battery holder, because there is voltage sorted in the Receiver.

Handset - Remove cover from rear of handset and insert 1 x 'PP3' (9 volt) battery - Replace cover

Appliance - **Ensure appliance is off and cool.**

Remove the decorative front as shown in section 8.9 of the installers instruction manual.

The receiver is located towards the right hand side, underneath the burner unit, unscrew the two screws holding the cover in position. Then remove the cover from the battery pack and insert 4 x 'AA' (1.5 volt) batteries - Replace cover.

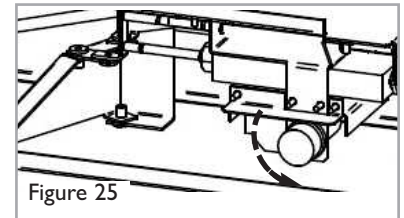


10.7 REPLACING THE BATTERIES (SLIDE CONTROL VERSIONS)

Appliance - **Ensure appliance is off and cool.**

Remove the decorative front as shown in section 8.9

The battery is located in the front of the ignition unit, on the right hand side of the burner (shown in figure 25). Unscrew the battery holder cap. Insert 1 x AA (1.5 volt) battery and refit cap.



11.0 TROUBLESHOOTING GUIDE

Fire sparks but pilot does not light

- No gas to fire, check isolators are open and gas supply is on.
- Pipework blockage, clean out.
- Air not fully purged, re purge supply or wait longer.
- Spark earthing to metalwork, reset gap correctly.
- Blocked pilot, clean out internally.

Pilot lights but then goes out

- Severe restriction in gas supply: clear obstruction.
- Faulty thermocouple, replace pilot unit.
- Blocked pilot, clean out.
- Blocked lint gauze, clean.
- Hold control knob in for longer.
- Check control knob does not foul indicator plate.
- If the pilot will not stay lit there could be a problem with contamination of the gas supply, drafts, ventilation or the thermocouple needs replacement.

Modifications are dangerous and can have a serious unseen effect on safety.

NEVER MODIFY OR BEND THE THERMOCOUPLE TO MAKE THE PILOT STAY ALIGHT

Fire does not spark at pilot

- HT lead detached, refit.
- Check the spark gap (see section 8.1).
- Faulty piezo unit, replace.
- Debris shorting out electrode, clean.
- Spark shorting to metalwork under tray, check routing of HT lead under burner.

Fire runs for a time and then cuts off

- Loose or faulty thermocouple, rectify.
- Blocked pilot, clean out.
- Excessive drafts in the room.
- Excessive flue pull.
- Fire is too close the an air vent.
- Fire is sited on disused chimney breast which has not been adequately sealed up.
- Dirt or lint in pilot aeration hole or on the lint gauze, clean thoroughly.

Fire runs for a time and then cuts off

- If the pilot will not stay lit there could be a problem with contamination of the gas supply, drafts, ventilation or the thermocouple needs replacement.

Modifications are dangerous and can have a serious unseen effect on safety.

NEVER MODIFY OR BEND THE THERMOCOUPLE TO MAKE THE PILOT STAY ALIGHT

Pilot flame shrinks when fire is on high

- Poor gas flow to fire, check pressure with fire on high.
- If pressure is low, remove any restriction in pipework or valve.
- Check all isolators are adequately sized and fully open.
- Check meter pressure is adequate.
- Firebox grommet seal missing, rectify.
- If the pilot will not stay lit there could be a problem with contamination of the gas supply, drafts, ventilation or the thermocouple needs replacement.

Modifications are dangerous and can have a serious unseen effect on safety.

NEVER MODIFY OR BEND THE THERMOCOUPLE TO MAKE THE PILOT STAY ALIGHT.

Fire smells when first lit or in use

- Newness smell from brand new appliance.
- Spillage occurring. Carry out Spillage test and rectify any problems.
- Combustible materials used in incorrect positions.
- Firebox grommet seal missing, rectify.
- Other airborne contaminants such as dust, tobacco smoke, paint vapours.

11.1 TROUBLESHOOTING GUIDE - REMOTE CONTROL

Will not operate with handset

- Transmitter batteries low, replace Transmitter batteries. Quality alkaline recommended,
- Receiver batteries low, replace Receiver batteries with 1.5v "AA" quality alkaline batteries.
- Optional Mains Adapter not operating properly, check Mains Adapter.
- Check coding of Transmitter and Receiver (initial sync), learn new code (reset). See label on Receiver.
- Transmitter distance limited, straighten the antenna. Replace Receiver; see wiring diagrams.

No transmission: (motor does not turn)

- Dead batteries, replace batteries in the Receiver and/or Remote Handset (quality Alkaline recommended) **WARNING! DO NOT USE METAL TOOLS TO REMOVE THE BATTERIES. WARNING! The battery clip must not come into contact with metal parts after unplugging the external battery holder, because there is voltage sorted in the Receiver.**
- Receiver must learn new code. Press and hold the Receivers reset button until you hear 2 acoustic signals. After the second, longer acoustic signal, release the reset button. Within the subsequent 20 seconds press the (small flame) button on the Remote Handset until you hear two additional short beeps confirm the new code is set.
- Receivers, replace receiver and reprogram code.
- Transmitter, replace the Transmitter and reprogram code.
- Bent pins on the 8 Wire Connector on the Valve and Receivers, Straighten pins on 8 Wire Connector.
- Wiring at Valve damaged, replace a valve.
- IR-Eye (Infrared remote only), replace (check and change).

No ignition; no tone:

- Receiver, replace Replace and reprogram code.

No Ignition; one 5 second continuous tone;

- Loose wire, secure wire.
- Receiver, replace receiver and reprogram code.
- Bent pins on the 8 Wire Connector on the Valve and Receivers, Straighten pins on 8 Wire Connector.
- Valve, replace Valve, do not overtightened the thermocouple interrupter.

Ignition stops after the first spark

- Loose ground connection on the valve, check the ground connection at the valve and tighten screw.

Frequent beeps for 3 seconds while motor turns

- Batteries (receiver) are low, replace batteries (Quality Alkaline recommended).
- WARNING! DO NOT USE METAL TOOLS TO REMOVE THE BATTERIES.**

Section	Contents	Page No.	Section	Contents	Page No.
1.0	Important Notes	1	8.0	Servicing	10
2.0	Clearances to Combustibles	1	9.0	Cleaning	10
3.0	Fireguards	2	10.0	Replacing the Batteries- Remote Controls	10
4.0	Ventilation	2	10.1	Replacing the Batteries- Slide Controls	10
5.0	Operating Instructions - Slide Control	2	11.0	List of Replacement Parts	11
5.1	Operating Instructions - Remote Control	3	12.0	Installation Details	11
6.0	Flue Spillage Monitoring System	7	13.0	Service History	11
7.0	Fuel Bed Layout - Wall Inset	7	14.0	Guarantee - Terms and Conditions	12
7.1	Fuel Bed Layout - Wide Wall Inset	8			

1.0 IMPORTANT NOTES

- The installation and Servicing of this fire **MUST** only be carried out by a competent person in accordance with local Codes and/or Regulations, Building Regulations and the manufacturer's instructions. Failure to comply with these could lead to prosecution and invalidate the appliance warranty. In the event of gas leakage from the appliance, the gas supply must be turned off at the nearest isolating valve. This appliance is only suitable for the gas type for which it is supplied.
- Keep a note of the installer's name and address, the original purchase receipt and the date of installation. Failure to produce this information may invalidate the warranty. The appliance should be serviced regularly to ensure continued safe operation. See the servicing section for further reference. Frequency of service will depend on use, but **MUST** be carried out at least once annually.
- Parts of this appliance become naturally hot during use. The manufacturer of this appliance considers all surfaces as working surfaces with the exception of the control knob and control panel.
- **As with any gas fire, a fire guard complying with BS 8423 must be used in presence of pets, children, and the elderly or infirm.**
- The appliance should be serviced regularly to ensure continued safe operation. Frequency of service will depend on use, but **MUST** be carried out at least once annually.
- Combustible items, such as flooring and furniture and soft wall coverings (such as blown vinyl or embossed paper), low temperature surrounds etc may discolour if fitted too close to the fire. See relevant section for further details on clearances to combustibles.
- This appliance incorporates a combustion monitoring system (ODS).
- **DO NOT** burn any foreign material on this fire, the ceramic fuel effect components must be of the correct type and laid out in accordance with the relevant section of these instructions.
- **DO NOT** add extra fuel effects to the fire
- Failure to do so could create a hazard or lead to sooting.
- Before the appliance is installed, the chimney should be swept. All flues should be checked by the installer to ensure there are no defects or obstructions that may prevent the flow of combustion products.
- This appliance is fitted with a flue blockage safety device which will shut down the fire if abnormal flue conditions occur. It is **NOT** a substitute for an independently mounted Carbon Monoxide detector.
- This fire is supplied with a particular style of front. Use of the front will ensure an adequate airflow under the firebed for the correct functioning of this appliance. Use **ONLY** the front supplied with the appliance. Use of any other front could be dangerous.

2.0 CLEARANCES TO COMBUSTIBLES

A combustible shelf may be fixed to the wall above the fire, providing that it complies with the dimensions given below.

<i>Maximum depth of shelf</i>	<i>Minimum distance from the bottom of the appliance to underside of shelf</i>
100mm	745mm
150mm	845mm
203mm	895mm

A non-combustible shelf may be fitted to within 10mm of the top edge of the fireplace opening. Combustible materials, such as wood, may be fitted to within 100mm of either side of the fireplace opening, providing the forward projection does not exceed 100mm.

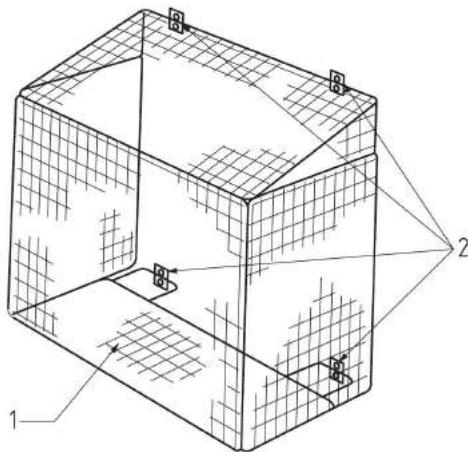
Any combustible side walls must be at least 500mm to the side of the radiant heat source. As with all heating appliances, any decorations, soft furnishings, and wall coverings (i.e. flock, blown vinyl and embossed paper) positioned too close to the appliance may discolour or scorch.

The fireguards specified in BS 8423 are intended to protect people from falling into a fire, prevent burns and reduce the risk of injury, particularly to young children and the infirm. In addition it is intended to reduce the risk of fire resulting from clothing and/or other flammable materials coming into contact with, or in proximity to, burning fuel and/or hot surfaces.

Fireguards can be permanently fixed in position or can be moveable, and can incorporate open fires including combination grates, or closed fires, including room heaters and stoves. See figures 1 & 2 for fireguard examples.

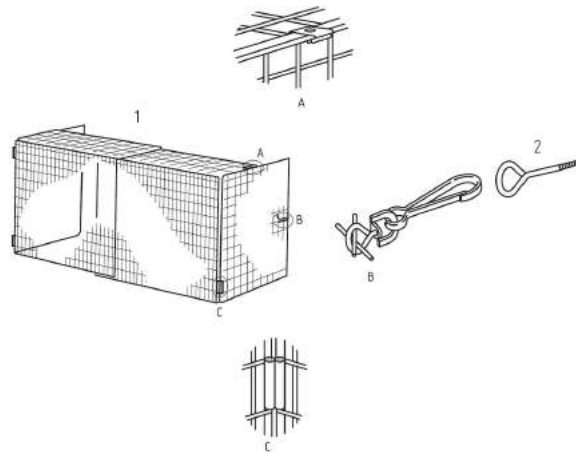
The fireguards specified are not intended to reduce the risk of fires caused by flying particles, which are covered by BS 3248.

Figure 1
Example of moveable fireguard for portable heating appliances



Key
1. Optional base section for total enclosure of a wall mounted appliance
2. Points for attachment to a wall.

Figure 2
Example of detachable fireguard



Key
1. Detachable fireguard
2. Screw eye

4.0 VENTILATION

No purpose provided ventilation is normally required for this appliance. The requirements of other appliances operating in the same space or room, and the results of a spillage test must be taken into consideration when assessing ventilation requirements, this will have been carried out by your registered installer.

For Republic of Ireland, ventilation may be required, see IS 813, ICP3, IS 327, and any other rules in force.

WARNING :Ventilation openings (where fitted) must never be blocked or restricted in any way.

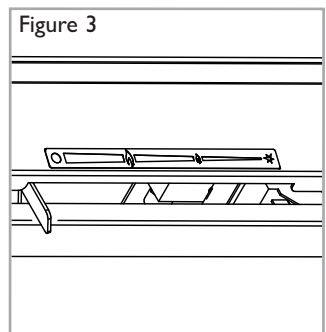
5.0 OPERATING THE FIRE - SLIDE CONTROL MODELS

The control knob is located under the centre of the appliance.

The pilot is visible through the centre of the burner.

Move the slide control knob fully right to the SPARK position, and hold there for a few seconds, until the pilot light stays on. When the pilot light has established, release the slide control knob and it will return to the LOW flame setting. If the pilot is extinguished during use, wait three minutes before repeating the ignition procedure.

To achieve the HIGH setting, move the slide control knob left to the HIGH flame setting. To turn the fire OFF, move the slide control knob left fully to the position marked 'O'.



5.1 OPERATING THE FIRE - REMOTE CONTROL MODELS

GB IE

TO TURN ON APPLIANCE

When pilot ignition is confirmed, motor turns automatically to maximum flame height.

Simultaneously press the OFF and (large flame) buttons until a short beep



confirms the start sequence has begun; release buttons. Continuing beeps confirm the ignition is in process. Once pilot ignition is confirmed, there is main gas flow. After main burner ignition the handset will automatically go into manual mode (CSA version, CE version). **WARNING!** If the pilot does not stay lit after several tries, turn the main valve knob to OFF and follow the instructions "Turn Off Gas to Appliance" (page 20).

STAND BY MODE (Pilot Flame)

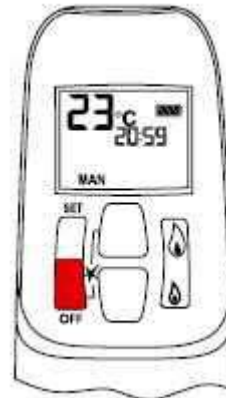
Handset

Press and hold (small flame) to set appliance at pilot flame.

TO TURN THE APPLIANCE OFF

Handset

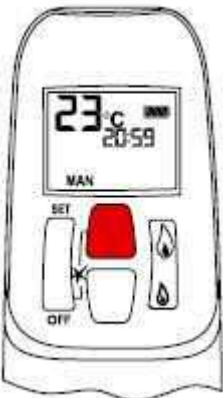
Press the **OFF** button.



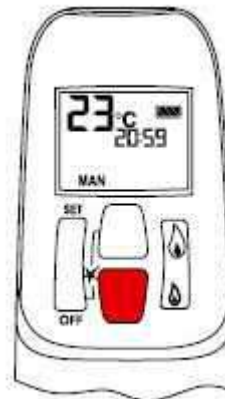
FLAME HEIGHT ADJUSTMENT

Handset

In standby mode: Press and hold (large flame) button to increase flame height.



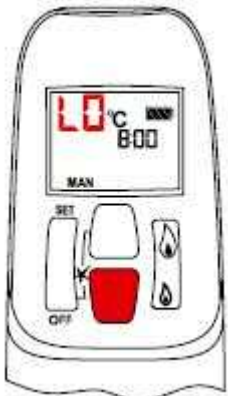
Press and hold (small flame) button to decrease flame height or to set appliance at pilot flame. For fine adjustment tap the (large flame) or (small flame) buttons.



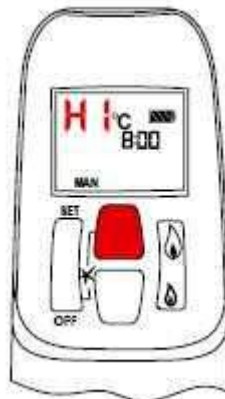
Designated Low Fire and High Fire

Double-click (small flame) button. "LO" will be displayed.

NOTE: Flame goes to high fire first before going to designated low fire.



Double-click (large flame) button. Flame automatically goes to high fire. "HI" will be displayed.



Double-click (large flame) button. Flame automatically goes to high fire. "HI" will be displayed.

Modes of operation

Briefly pressing the SET button changes the mode of operation in the following order:

MAN → TEMP → TEMP →
TIMER → and back to MAN .

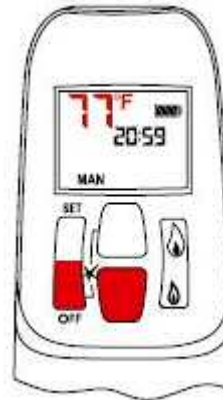


NOTE: Manual mode can also be reached by pressing either the (large flame) or the (small flame) button.

MAN Manual Mode
Manual flame height adjustment.

TEMP Daytime Temperature Mode (Appliance must be in standby mode; pilot ignited)

The room temperature is measured and compared to the set temperature. The flame height is then automatically adjusted to achieve the Daytime Set Temperature.



Setting °C/24 hour or °F/12 hour Clock

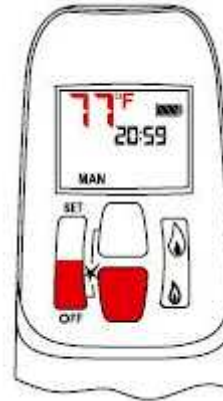
Press OFF and (small flame) button until display changes from Fahrenheit/12 hour clock to Celsius/24 hour clock and vice versa.

TIMER Timer Mode

(Appliance must be in standby mode; pilot ignited)

The Timers P1 and P2 (Program 1, Program 2) each can be programmed to go ON and OFF at specific times. For instructions see Timer Programming Mode.

NOTE: The display shows the set temperature every 30 seconds.



Setting °C/24 hour or °F/12 hour Clock

Press OFF and (small flame) button until display changes from Fahrenheit/12 hour clock to Celsius/24 hour clock and vice versa.

SETTING THE TIME

The Time display will flash after either:

- a) Installing the battery or
- b) Simultaneously pressing the (large flame) and (small flame) buttons.

Press (large flame) button to set the hour.

Press (small flame) button to set the minute.

Press OFF or simply wait to return to manual mode.



Setting the ON/OFF Temperatures Setting the "DAYTIME" Temperature

DEFAULT SETTINGS: TEMP (sun), 23 °C/74 °F

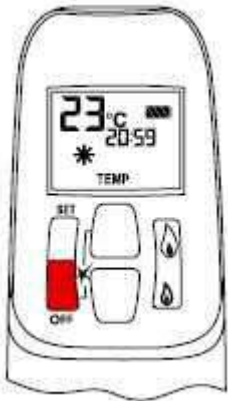
Briefly press SET button to scroll to TEMP TEMP (sun) mode. Hold the SET button until the TEMP flashes.



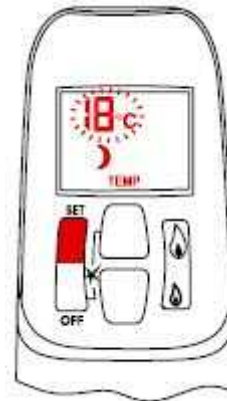
Press (large flame) button to increase Daytime Set Temperature.



Press (small flame) button to decrease Daytime Set Temperature.



Press **OFF** or simply wait to complete programming.



Setting the “NIGHTTIME SETBACK” Temperature
 DEFAULT SETTINGS: TEMP (moon), “ ” (OFF)

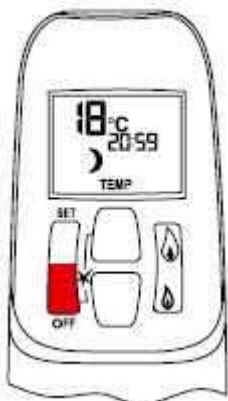
Briefly press SET button to scroll to TEMP TEMP (moon) mode. Hold the SET button until the Temperature flashes.



Press (large flame) button to increase Nighttime Setback Temperature.



Press (small flame) button to decrease Nighttime Setback Temperature.



Press OFF or simply wait to complete programming.

SETTING Program TIMERS

Default Settings

CE: Program 1: P1 : 6:00 P1 : 8:00

Program 2: P2 : 23:50 P2 : 23:50

CSA: Program 1: P1 : 6:00am P1 : 8:00am

Program 2: P2 : 11:50pm P2 : 11:50pm

2 ON times can be programmed per day.

CE: The day starts at 0:00, ends at 23:50.

CSA: The day starts at 12:00am, ends at 11:50pm.

The ON/OFF times have to be programmed in the order P1

≤ P1 < P2 ≤ P2 .

If P1 = P1 or P2 = P2 the timer is deactivated.

To have the fire over night, it can be set:

CE: P2 23:50 and P1 0:00

CSA: P2 11:50am and P1 12:00am



Select Timer Mode by briefly pressing the SET button.

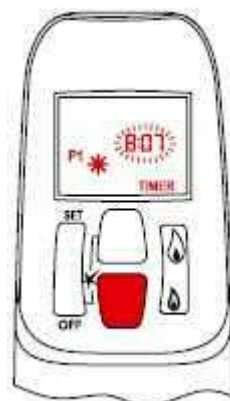


Setting P1 ON Time

Hold the SET button until P1 and (sun) are displayed and the time flashes.



Set the hour by pressing the (large flame) button.

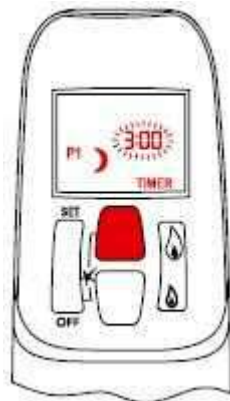


Set the minutes by pressing the (small flame) button.



Setting P1 OFF Time

Briefly press SET button to scroll to setting P1 OFF time. P1 and (moon) are displayed and the time flashes.



Set the hour by pressing the (large flame) button.



Set the minutes by pressing the (small flame) button.

Setting P2 ON Time

Briefly press SET button to scroll to setting P2 ON time. P2

(sun) is displayed and the time flashes.

See instructions "Setting P1 ON Time".

Setting P2 OFF Time

Briefly press SET button to scroll to setting P2 OFF time. P2 (moon) is displayed and the time flashes.

See instructions "Setting P1 OFF Time".

This concludes programming Timers P1 and P2. Press OFF or wait. The handset will automatically save your changes.

This fire is fitted with a flue spillage safety device (ODS).

If the fire shuts down during use for no apparent reason then several reasons may be suspected. If a door or window has been opened creating a draught, then pilot disturbance could be the problem, and removal of the draught should resolve this.

The fire can then be re-lit in accordance with the previous section. If pilot disturbance is not the cause, then the ODS safety system may be in operation. Switch the appliance OFF, call in your installer to check any ventilation and carry out any remedial work required. DO NOT allow the appliance to be used until the installation is passed as safe.

7.0 FUEL BED LAYOUT - WALL INSET

1. Remove the ceramic logs from their protective packaging. All logs are marked on the rear or the underside from letters "A" to "C". Place the log marked 'A' on the top left rear ledge behind the burner mixer chamber as shown in figure 4.



2. Place the log marked 'B' on the top right rear of the burner as shown in figure 5.

Ensure that both rear logs are pushed back against the rear brick panel.



3. Place the log marked 'C' on the front ledge of the burner, behind the return and in front of the burner mixer chamber.

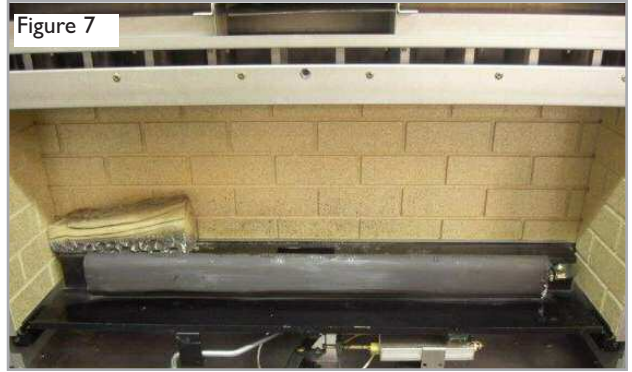


IMPORTANT : The fire is designed to operate correctly with the logs supplied when assembled according to the instructions. Never add to the logs, or change them for a different type. Never throw rubbish or other matter onto the fuel bed. Due to the light colour of the logs, some discolouration/sooting is to be expected during normal use.

7.1 FUEL BED LAYOUT - WIDE WALL INSET

GB IE

1. Remove the ceramic logs from their protective packaging. All logs are marked on the rear or the underside from letters "A" to "J". Place the log marked 'A' on the top left rear ledge behind the burner mixer chamber as shown in figure 7.



2. Place the log marked 'B' on the centre rear of the burner as shown in figure 8. Ensure that both rear logs are pushed back against the rear brick panel.



3. Place the log marked 'C' on the rear right ledge of the burner, behind the burner mixer chamber.



4. Place the log marked 'D' on the front ledge of the burner, behind the return and in front of the burner mixer chamber.



5. Place the log marked 'E' on the front centre of the burner as shown in figure 11.



6. Place the log marked 'F' on the right hand side in the front section of the burner.



7. Next carefully place log 'G' over the top of log 'A' and log 'D'.



8. Place the log marked 'H' over log 'B' and log 'E'.



9. Place the log marked 'I' on the centre of log 'B' and on top of log 'E'.



10. Finally place the log marked 'J' on top of log 'C' over to the right hand side of log 'E'.

Before re-assembling the appliance turn the appliance ON and check that none of the flames come into contact with any of the cross logs. If the logs do come into contact with a flame. Wait for the fire to cool down then re-adjust the cross logs so it is clear of any flames.

IMPORTANT : The fire is designed to operate correctly with the logs supplied when assembled according to the instructions. Never add to the logs, or change them for a different type. Never throw rubbish or other matter onto the fuel bed. Due to the light colour of the logs, some discolouration/sooting is to be expected during normal use.



8.0 SERVICING

The fire and flue should be checked on an annual basis to ensure all of the products of combustion are entering the flue and that there is no excessive build up of soot. The frequency of service will depend on usage, but **MUST** be carried out at least once annually. Servicing must be carried out by a GAS SAFE registered engineer.

Cleaning of the logs may be carried out by following the instructions given in section 9.0 of these instructions. The Installation instructions carry full servicing details for the use of the installer.

If debris from the flue or other foreign matter is found on the fire or in the draft diverter it may indicate a need for servicing. Do not use the fire until the source of the debris has been found and rectified. Air vents (where fitted) should be checked periodically to ensure they are free from obstruction.

9.0 CLEANING

Before carrying out any of the following operations, ensure that the fire is OFF and completely cold.

FRAME - Any dust accumulating in the frame may be removed using a vacuum cleaner or dry cloth. Heavy stains may be removed by using a damp cloth and mild household detergent.

PAINTED AREAS - These can be cleaned using a dry cloth.

LOGS AND CERAMICS - Remove the frame, the hood and glass assembly and place to one side. Remove the ceramic components. Gently clean in the open air. Be careful not to create dust from the logs. Where necessary replace damaged components with genuine spares. Seal scrap components in plastic bags and dispose of at proper refuse sites as directed.

10.0 REPLACING THE BATTERIES (REMOTE CONTROL VERSIONS)

WARNING! DO NOT USE METAL TOOLS TO REMOVE THE BATTERIES. WARNING! The battery clip must not come into contact with metal parts after unplugging the external battery holder, because there is voltage sorted in the Receiver.

Handset - Remove cover from rear of handset and insert 1 x 'PP3' (9 volt) battery - Replace cover

Appliance - **Ensure appliance is off and cool.**

Remove the decorative front as shown in section 8.9 of the installers instruction manual.

The receiver is located towards the right hand side, underneath the burner unit, unscrew the two screws holding the cover in position. Then remove the cover from the battery pack and insert 4 x 'AA' (1.5 volt) batteries - Replace cover.

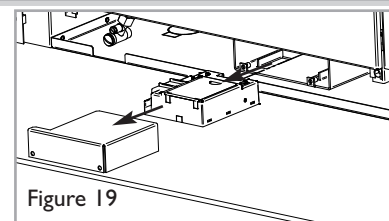


Figure 19

10.1 REPLACING THE BATTERIES (SLIDE CONTROL VERSIONS)

Slide control models

Appliance - **Ensure appliance is off and cool.** Remove the decorative front as shown in section 8.9 of the installers instruction manual. The battery is located in the front of the ignition unit, on the right hand side of the burner (shown in figure 20). Unscrew the battery holder cap. Insert 1 x AA (1.5 volt) battery and refit cap.

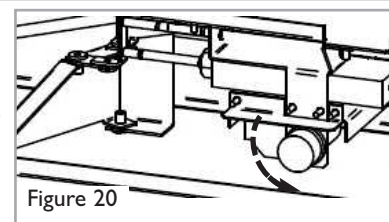


Figure 20

11.0 LIST OF REPLACEMENT PARTS



Item	Part number
Pack of 3 ceramic logs - (Wall inset models)	F550436
Pack of 10 ceramic logs - (Wide wall inset models)	F550466
Ceramic pad set includes rear pad and side pads - (Wall inset models)	F550433
Ceramic pad set includes rear pad and side pads - (Wide wall inset models)	F550465
Oxypilot 21100 - All models	F730108
Gas valve - slide control models	F730067
Gas valve - remote control models	F730105
Injector - stereo 1.47 - slide control models (Wall inset models)	F730109
Injector - stereo 1.44 - remote control models (Wall inset models)	F730111
Injector - stereo 1.53 - slide control models (Wide wall inset models)	F730110
Injector - stereo 1.50 - remote control models (Wide wall inset models)	F730112
Burner assembly - complete - slide control (Wall inset models)	F510140
Burner assembly - complete - remote control (Wall inset models)	F510141
Burner assembly - complete - slide control (Wide wall inset models)	F510142
Burner assembly - complete - remote control (Wide wall inset models)	F510147
Remote handset and receiver kit	F930379

12.0 INSTALLATION DETAILS

Name & contact details of installer :		Supplied by :	
Installer GAS SAFE registration No :	Model :		
Fire serial No. :	Date installed :		

13.0 SERVICE HISTORY

Date of service	Serviced by (name):	GAS SAFE No. :	Contact details of Engineer

The 3 year guarantee only covers products purchased on or after 1st February 2009. For all gas fires purchased the 3 year guarantee commences from the date of purchase, provided that the following 3 terms and conditions are adhered to:

Registration is not required.

1. For any claim to be made within the 3 years from date of purchase you will be required to provide and supply us with your proof of purchase.
2. Your gas fire must have been commissioned by a CORGI/Gas Safe* registered installer, evidence of which you must provide together with the CORGI/Gas Safe* registration number.
3. Your appliance must have been serviced annually, irrespective of use, by a CORGI/Gas Safe* registered installer, evidence of which must be provided, such as the receipt.

Please note all consumable items such as any ceramics including; coals, logs, pebbles, the matrix, front strips, side cheeks, rear panels and tapered rear panels are not covered by the 3 year guarantee. For all Electric fires purchased the 3 year guarantee commences from the date of purchase, providing that you can supply the proof of purchase. This does not cover consumable items such as pebbles, logs, coals or light bulbs.

Making a claim is easy.

If you wish to make a claim under our 3 year guarantee and all the terms and conditions for your product have been met then please submit the following information for the attention of the 3G Service Department to the address below. Alternatively, you can email or fax. Please note that this does not affect your statutory rights.

Eko Fires Ltd, 3G Service Department, Reid Street, Christchurch, Dorset, BH23 2BT.
Alternatively email: service@ekofires.co.uk or fax. 01202 499326.

Details required:

1. Name, full address including post code and contact telephone number.
2. Receipt of purchase or credit card statement.
3. Original installers CORGI/Gas Safe* registration number and date of installation (gas fires only).
4. Annual service receipt for every 12 months (gas fires only).

*Gas Safe Register replaced CORGI as the gas registration body in Great Britain and the Isle of Man on 1st April 2009.