

Skagen Cleanburn Stove

Installation & Operating Instructions

Technical Specification

Appliance Mass	125 kg
Total Efficiency	79.0 %
Nominal Heat Output	6.0 kW
Mean CO Emission (@13% O ₂)	0.16 %
Mean Flue Gas Temperature	280 °C
Flue Gas Mass Flow	5.0 g/s

This appliance is not for use in shared flue

This appliance is suitable for intermittent burning

Table of Contents

General Guidance	2
Competent Persons Scheme	2
CO Alarms	2
Health & Safety Precautions	2
Handling	2
Fire Cement	2
Asbestos	3
Metal Parts	3
Modification	3
Safety	3
Aerosols	3
Fireguards	3
Do not Over-Fire	3
Fume Emission	3
CO Alarm	4
In the Event of a Chimney Fire	4
Assembly Instructions	5
Removal of Heat Shield	5
Flue Collar	5
Blanking Plate	6
Rear Flue Pipe Installation	6
Fitting of Heat Shield	6
Removal of Internal Components	7
Side Bricks	7
Rear Brick	8
Baffle / Throat Plate Fitting	8
Air Controls	9
Installation Instructions	10
Chimney	10
Connection to the Chimney	10
Flue Draught	11
Air Supply	11
Hearth/ Material Clearances	11
Recessed Appliance	12
Free-Standing Appliance	12
Commissioning & Handover	12
Operating Instructions	13
Aerosol Sprays	13
Air Controls	13
Primary Air	13
Secondary and Tertiary Air	13
Riddling Grate	14

Notes on Wood burning	14
Lighting the Stove	14
Reduced Combustion	14
Recommended Fuels.....	15
General Maintenance.....	16
Baffle.....	16
Stove Body	16
Glass Panel	16
Firebricks	16
Door Catch	16
Rope	17
Chimney and Flue ways	17
Periods of Prolonged Non-Use.....	17
Glass Gasket	17
Troubleshooting.....	17
Fire will not burn.....	17
Fire blazing out of control	18
Spares Information.....	19
Door Spares	19
Body Spares.....	20
Air Controls.....	21



General Guidance

It is important that your stove is correctly installed as Cleanburn cannot accept responsibility for any fault arising through incorrect use or installation.

These instructions cover the basic principles to ensure satisfactory installation of the stove, although detail may need slight modification to suit particular local site conditions.

The installation must comply with current Building Regulations, national and European standards, Local Authority byelaws and other specifications or regulations as they affect the installation of the stove.

The Building Regulations requirements may also be met by adopting the relevant recommendations in the current issues of British Standards BS 8303 and BS EN 15287-1.

Competent Persons Scheme

Cleanburn recommend that this stove is installed by a member of an accredited competent persons scheme e.g. HETAS.

If the installer is not a member of a competent persons scheme, it is a legal requirement to notify your local building control body in advance of any work starting.

CO Alarms

Building regulations require that whenever a new or replacement fixed solid fuel or wood/biomass appliance is installed in a dwelling, a carbon monoxide alarm must be fitted in the same room as the appliance.

Further guidance on the installation of the carbon monoxide alarm is available in BS EN 50292:2002 and from the alarm manufacturer's instructions.

Provision of an alarm must not be considered a substitute for either installing the appliance correctly or ensuring regular servicing and maintenance of the appliance and chimney system.

Health & Safety Precautions

Special care must be taken when installing the stove such that the requirements of the Health and Safety at Work Act are met

Handling

Adequate facilities must be available for loading, unloading and site handling.

Fire Cement

Some types of fire cement are caustic and should not be allowed to come into contact with the skin. In case of contact, wash immediately with plenty of water.

Asbestos

This stove contains no asbestos. If there is a possibility of disturbing any asbestos in the course of installation then please seek specialist guidance and use appropriate protective equipment.

Metal Parts

When installing or servicing this stove, care should be taken to avoid the possibility of personal injury.

Modification

No unauthorized modification of this appliance should be carried out.

Safety

***WARNING**—This appliance will be hot when in operation and due care should be taken. The supplied operating tool or gloves may be used to open the door and operate the air controls.*

Aerosols

Do not use an aerosol spray on or near the stove when it is alight.

Fireguards

Always use a fireguard in the presence of children, the elderly or the infirm. The fireguard should be manufactured in accordance with BS8423 – Fireguards for use with solid fuel appliances.

Do not Over-Fire

It is possible to fire the stove beyond its design capacity. This could damage the stove so watch for signs of over-firing.

If any part of the stove starts to glow red, the stove is in an over-fire situation and the controls should be adjusted accordingly.

Never leave the stove unattended for long periods without first adjusting the controls to a safe setting.

Careful air supply control should be exercised at all times.

Fume Emission

WARNING NOTE

Properly installed, operated and maintained, this appliance will not emit fumes into the dwelling. The appliance door(s) must be kept closed at all times, except for when de-ashing and refueling, during which occasional fumes may occur. However, Persistent fume emission is potentially dangerous and must not be tolerated.

If fume emission does persist, then the following immediate action should be taken: -

1. Open doors and windows to ventilate the room and then leave the premises.
2. Let the fire go out.
3. Check for flue or chimney blockage and clean if required.
4. Do not attempt to re-light the fire until the cause of the fume emission has been identified and corrected. If necessary, seek expert advice.

The most common cause of fume emission is flueway or chimney blockage. For your own safety these must be kept clean at all times.

Adverse weather – In a small number of installations, occasional local weather conditions (e.g. wind from a particular direction) may cause downdraught in the flue and cause the stove to emit fumes. In these circumstances, the stove should not be used. A professional flue installer will be able to advise on solutions to this problem (e.g. anti-downdraught cowl).

CO Alarm

Your installer should have fitted a CO alarm in the same room as the appliance. If the alarm sounds unexpectedly, follow the instructions given under “Warning Note” above.

Do not fit an extractor fan in the same room as this appliance.

In the Event of a Chimney Fire

- Raise the alarm
- Call the Fire Brigade
- Close appliance air controls
- Move furniture, ornaments etc away
- Place a fireguard in front of stove
- Check the chimney breast for signs of excessive heat.

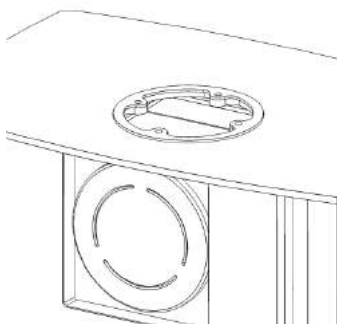
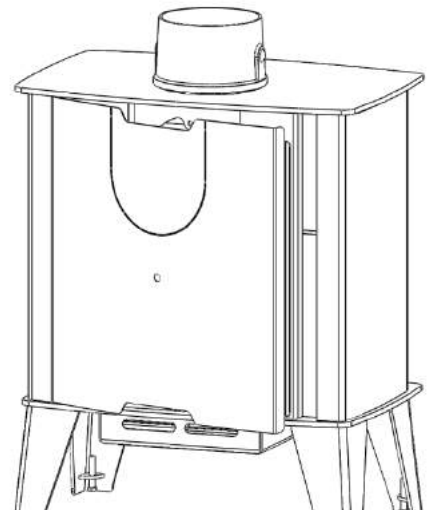
Ensure the Fire Brigade can gain access to your roof space in order to check for fire spread.



Assembly Instructions

Removal of Heat Shield

To remove the heat shield, remove the button-head screw and then flex the heat shield by pulling the heat shield towards you until the right-hand edge clears the stove body and pops out. Lift the left-hand edge clear of the stove body and remove.

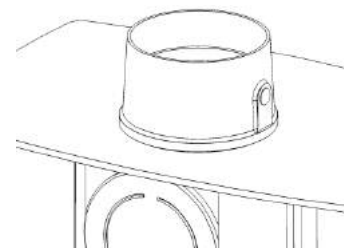


Flue Collar

Wind the eight M6 studs supplied into the fixing holes in the flue collar and blanking plate until finger tight.

Place the gasket in position on either the top or rear outlet (as required), manoeuvring the flue collar into position, taking care to line up the studs with the fixing holes.

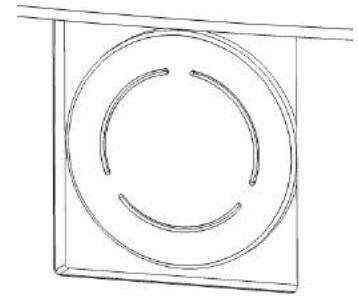
Secure in place using the M6 nuts and washers. Fit the two M8 coach bolts in the flue collar to blank off the optional damper handle holes.



Blanking Plate

Fit the Flue Gasket and Blanking Plate on the remaining free outlet.

Secure it, using the M6 nuts and studs.

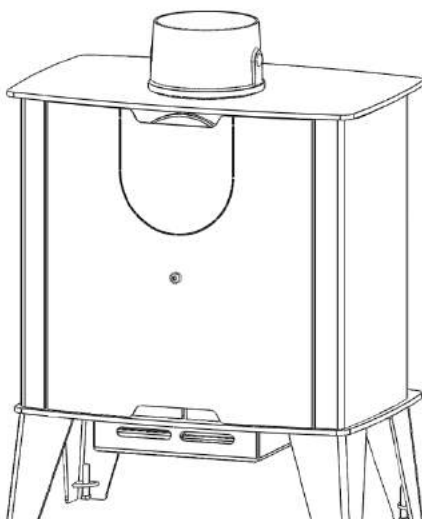
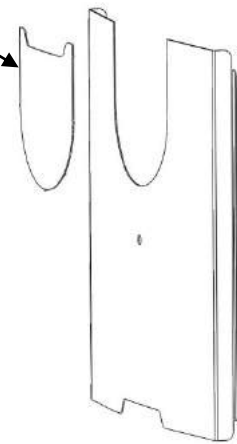


Rear Flue Pipe Installation

For rear flue installations, the knockout in the rear heat shield must be removed.

Remove the heat shield as instructed on page 5. Carefully cut through the tabs holding the knockout section in the heat shield and remove. Carefully remove any sharp edges on the heat shield left behind by the tabs.

Heat Shield Knockout



Fitting of Heat Shield

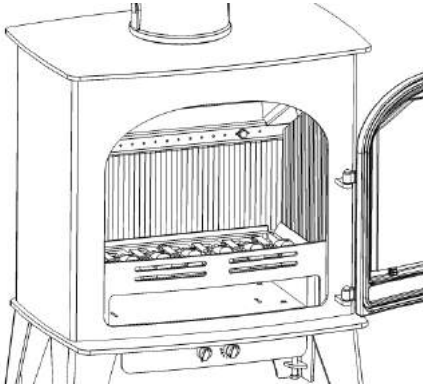
To fit the heat shield, position the left-hand edge and then flex the heat shield until the right-hand edge clears the stove body and pops into place. Insert and lightly tighten the supplied button-head screw to prevent any rattle.

Do not over tighten the screw, as this will damage the heat shield

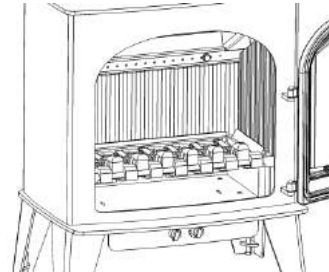
Removal of Internal Components

The Fire Bricks, in this appliance, are factory fitted. The following set of diagrams show the removal sequence that you will need to employ when servicing your stove.

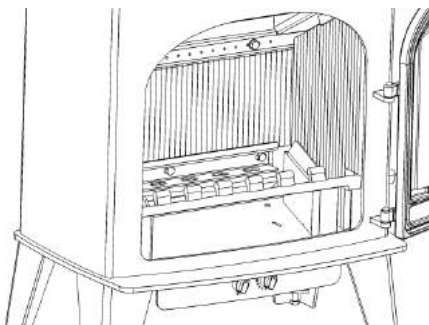
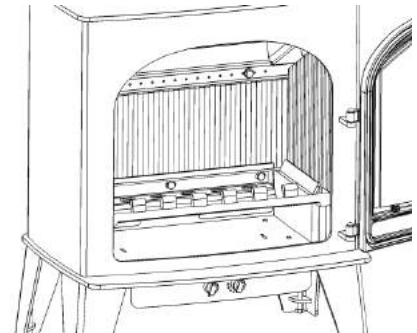
Side Bricks



1. Remove Front Plate by lifting it up out of the slots on either side. Rotate to remove from the stove.

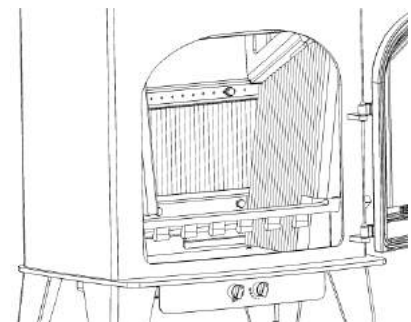


2. Remove all of the Grate Bars. Take care to notice which are the upper and which are the lower bars. This will allow correct replacement.

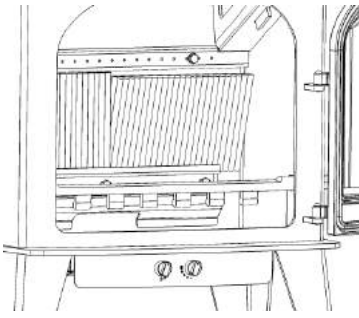


3. Slide the front edge of each Side Plate towards the centre of the stove. Lift the Side Plates and remove.

4. Slide the bottom edge of the Side Bricks towards the centre of the stove. It may be necessary to rotate the cam bar to allow this. Once the Side Bricks are clear of the retaining tab at the top of the stove, they can be removed.

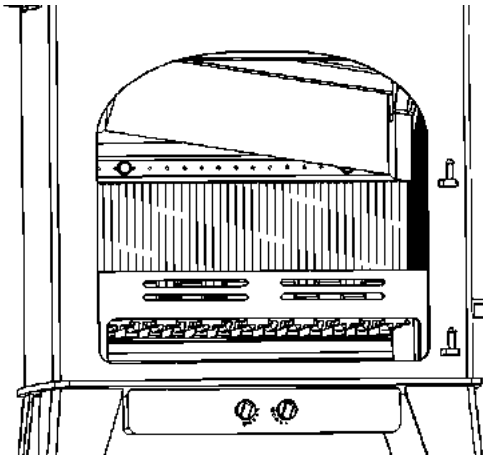


Rear Brick

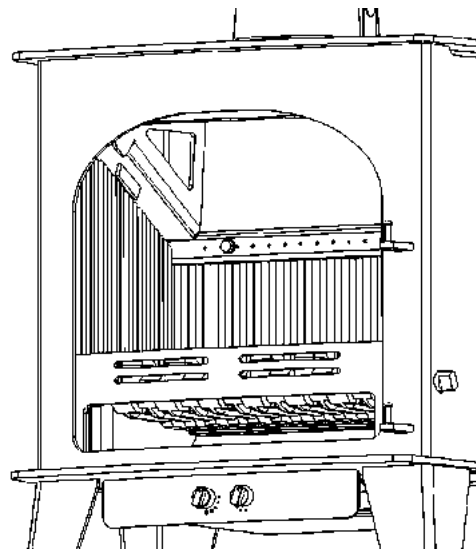


Pull the top edge of each Rear Brick forward and lift the brick out of the Stove.

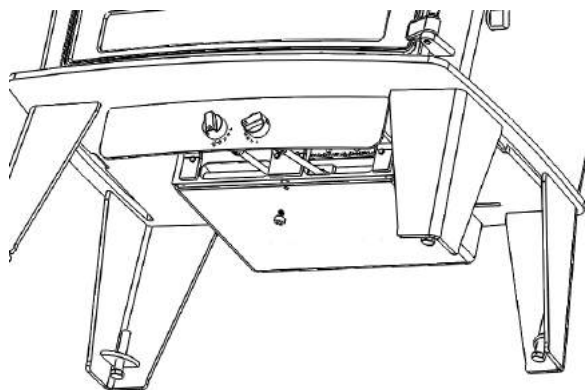
Baffle / Throat Plate Fitting



To install the Baffle, slide the left-hand end of the Baffle up, and over the support. Push the Baffle to the left until the right-hand edge clears the other support. Slide the Baffle back to the right until it sits centrally in the stove. Check that the two tabs at the front of the Baffle are between the Baffle Supports.



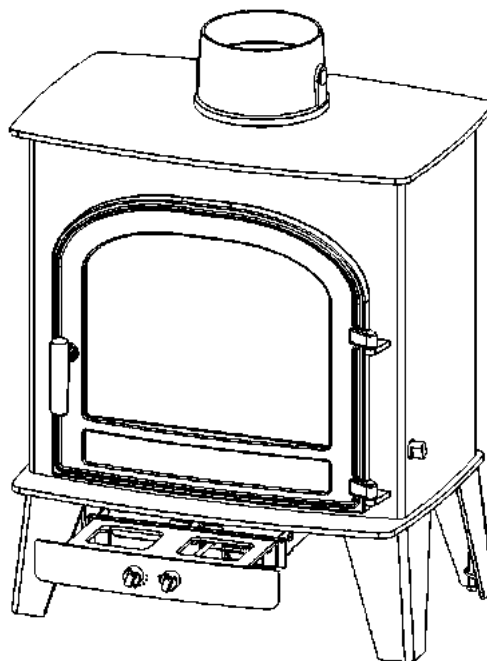
Air Controls



To remove the Air Valve Cassette, first adjust both control knobs to maximum open (turn fully clockwise). Then, undo the Air Valve Cassette retaining screw located under the Air Cassette housing, and remove it from the stove.

Carefully pull the control unit forwards and remove it from the stove. Before re-fitting, adjust the controls to maximum open. **Failure to do this will result in damage to the gasket material.**

Refit the Air Cassette Retaining screw.





Installation Instructions

Chimney

The chimney height and the position of the chimney terminal should conform to Building Regulations.

Check that the chimney is in good condition, dry, free from cracks and obstructions.

The diameter of the flue should not be less than 150mm and not more than 200mm.

If any of these requirements are not met, the chimney should be lined by a suitable method.

If there is no existing chimney then either a prefabricated block chimney in accordance with Building Regulations Approved Document J, or a twin-walled insulated stainless steel flue to BS EN 1856 can be used. These chimneys must be fitted in accordance with the manufacturer's instructions and Building Regulations.

If the chimney is believed to have previously served an open fire installation, it is possible that the higher flue gas temperature from the stove may loosen deposits that were previously firmly adhered, with the consequent risk of flue blockage. It is therefore recommended that the chimney is swept a second time within a month of regular use after installation.

If you have any doubts about the suitability of your chimney, consult your local dealer/stockist.

Connection to the Chimney

The chimney must be swept before connection to the stove.

An existing fireplace opening can be bricked up or sealed with a register plate.

A short length of flue pipe of minimum 150mm internal diameter may then be used to connect the stove to the chimney. This flue pipe should be made of 316 grade stainless steel or vitreous enamelled steel, nominal thickness 1.2mm.

Ensure that the pipe end is no closer than 76mm to the chimney walls.

The length of any horizontal run of flue pipe must not exceed 150mm.

It is essential that all connections between the stove and chimney-flue are sealed and made airtight.

Both the chimney and flue pipe must be accessible for cleaning and if ANY part of the chimney cannot be reached through the stove (with baffle removed), a soot door must be fitted in a suitable position.

Flue Draught

If the draught exceeds the recommended maximum, a draught stabiliser must be fitted so that the rate of burning can be controlled and to prevent over firing. If the reading is less than the recommended minimum then the performance of the appliance will be compromised. The flue draught should be checked under fire at high output.

Minimum Draught – 1.2mm Water Gauge

Maximum Draught – 2.5mm Water Gauge

Air Supply

The room or space containing this appliance should have purpose provided ventilation (where necessary) in accordance with Building Regulations.

Due consideration should be given to air requirements for any other appliance in the same room or space.

Any air opening must be kept clear from blockage or obstruction.

Hearth/ Material Clearances

Your stove must be installed on a floor with adequate load-bearing capacity, otherwise suitable measures should be taken.

Use the adjusting screws in the feet to level the stove.

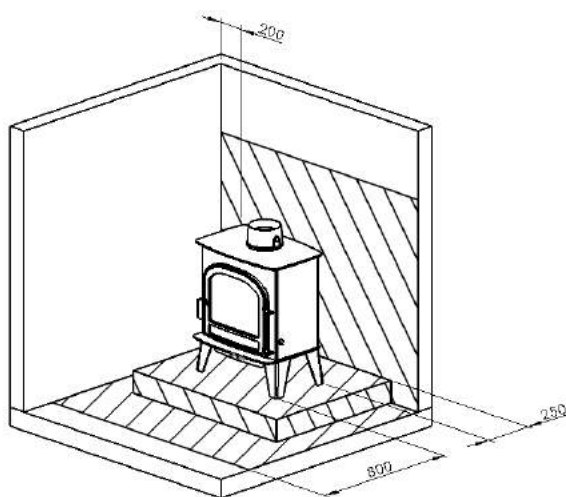
All non-combustible walls closer than 300mm to the stove should be at least 75mm thick.

Minimum Distances to Combustible Material

Behind the Stove	250mm
At the Side of the Stove	200mm
To Furniture	800mm

Note: combustible material refers to any material that will degrade when subjected to heat e.g. plaster.

No combustible material must be stored underneath the stove.



Warning!

Please ensure that there is sufficient clearance to combustible material from the stove and connecting flue pipe.

Clearance distances to the stove and flue pipes specified in Document J of Building Regulations as well as any other relevant legislation should be followed.

Recessed Appliance

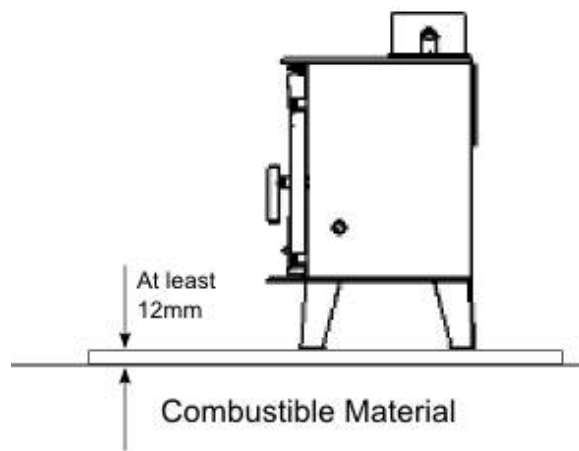
The stove can be recessed into a suitably sized fireplace with a minimum 50mm clearance all around, but we recommend that a free air gap of 150 mm is left around the sides and top of the stove and at least 50mm at the back of the stove to obtain maximum heat output and for access to the rear of the stove.

The hearth should extend at least 225 mm from the front of the stove.

If the stove is to stand in an appliance recess, it should stand wholly above a solid, non-combustible hearth, at least 125 mm thick (this may include the thickness of a solid floor).

Free-Standing Appliance

If the stove is not to stand in an appliance recess, it may stand wholly above a hearth made of non-combustible board / sheet material or tiles, at least 12mm thick.



The hearth should extend at least 150 mm from the sides and rear of the stove, and at least 225 mm from the front of the stove.

Commissioning & Handover

Upon completion of the installation, allow a suitable period of time for any fire cement and mortar to dry out.

A small fire may then be lit and checked to ensure the smoke and fumes are taken from the stove up the chimney and emitted safely to atmosphere.

Do not run the stove at full output for at least 24 hours.

On completion of the installation and commissioning, ensure that the operating instructions and operating tools for the stove are left with the customer.

Advise the customer on the correct use of the appliance with the fuels likely to be used on the stove and warn them to use only the recommended fuels for the stove.

Advise the user on what to do should smoke or fumes be emitted from the stove.

The user should be warned to use a fireguard to BS 8423 in the presence of children and/or infirm persons.



Operating Instructions

This appliance is **not** suitable for use in a shared flue

This appliance should **not** be operated with the doors open

Aerosol Sprays

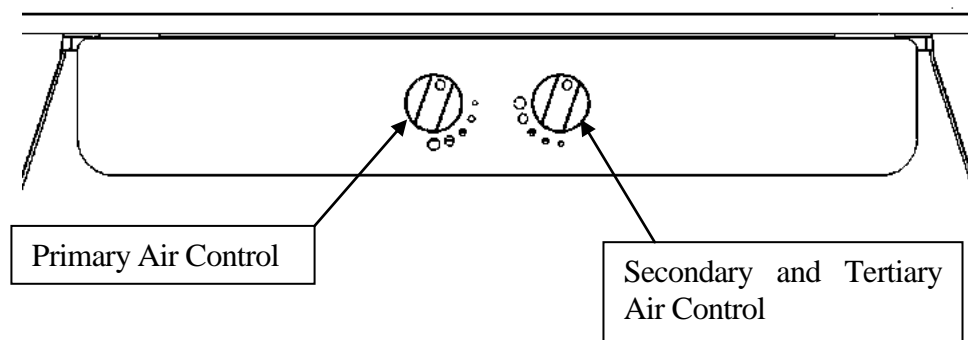
Do not use an aerosol spray on or near the stove when it is alight.

Air Controls

This stove has been designed to burn far more efficiently than a traditional stove, with the obvious notable feature of clean glass.

However, for this product to work properly it must be used correctly.

It is essential that the stove has an adequate air supply for combustion and ventilation.



Primary Air

Primary air is controlled via the left-hand control knob. Turning it clockwise increases the amount of Primary Air. This provides a conventional air draught to the bed of the fire.

Secondary and Tertiary Air

Secondary and Tertiary air is controlled via the right-hand control knob. Turning it clockwise increases the amount of Secondary and Tertiary air. The Secondary air provides “Airwash” that keeps a clean and uninterrupted view of the fire. Tertiary air aids in good secondary combustion of the fuel and reducing emissions into the chimney and environment.

Warning! - This Appliance will be hot when in operation and due care should be taken.

We advise that suitable gloves are used when operating the Primary and Secondary air controls, and when opening the door.

Riddling Grate

Your Cleanburn stove is fitted with a locomotive type grate. So that de-ashing can be carried out cleanly and easily, it is riddled from the outside of the stove with the doors closed.

To burn wood, push the operating tool up and away from you.

When left in this position, air is restricted through the bed of the fire providing a solid base to build up a bed of ash.

It might prove beneficial when burning more reactive fuels to leave the grate in a “neutral” position, thus directing some under fire air and some over fire air to the firebed.

Notes on Wood burning

With a 1.75kg load of wood, the stove will need to be refuelled approximately once every hour.

Wood can be stacked in the stove, but care must be taken that logs do not touch the baffle.

Wood burns most efficiently with the secondary air control in the open position and the primary control closed. Adjusting the secondary control will control the burn rate of the stove.

Note - primary and secondary air is needed to light the stove, see section entitled ‘Lighting the Stove’

Lighting the Stove

We recommend that you have two or three small fires before you operate your stove to its maximum heat output.

This is to allow the paint to cure in steadily and to give a long service life of the paint finish.

During this curing in process you may notice an unpleasant smell. It is non-toxic, but for your comfort we would suggest that during this period you leave all doors and windows open.

First, load the fire with starting fuel, i.e. paper, dry sticks and/or firelighters.

Light the fire at the base leaving all air controls open. Allow the fuel to reach a steady glow and build the fire up gradually. Once you have a good fire established across the grate bed, further fuel can be added as required.

Reduced Combustion

In order to shut down the stove, close the primary control, then close the secondary air by turning the knobs fully anti-clockwise.

If the controls are left in this position, the fire will be starved of air and will die down.

If you want to revive the fire it is recommended that the primary air control is open first, and then operate the secondary air control.

Warning!- The stove will remain **hot** for a considerable time after the fire has been extinguished.

Recommended Fuels

Cleanburn recommend that wood logs are burnt in this appliance.

Burn only dry, well-seasoned wood, which should have been cut, split and stacked for at least 12 months, with free air movement around the sides of the stack to enable it to dry out.

Burning wet or unseasoned wood will create tar deposits in the stove and chimney and will not produce a satisfactory heat output.

Only authorised smokeless fuels may be used in smoke control areas.

Warning! - Petroleum coke fuels or household waste must not be burnt on this appliance.

This appliance should not be used as an incinerator. No liquid fuels should be burnt on this appliance.

Should any difficulties arise over fuel quality or suitability, consult your local approved coal merchant or:

HETAS Ltd – Telephone 01242 673257 – www.hetas.co.uk

Solid Fuel Association – Telephone 0800 600 000 – www.solidfuel.co.uk



General Maintenance

This Appliance requires regular maintenance by a competent engineer.

Baffle

This should be removed and cleaned at least once a month to prevent any build up of soot or fly ash that could lead to blocked flue ways and dangerous fume emission.

If the baffle is removed the chimney/flue way can be swept through the appliance.

Stove Body

The stove is finished with a heat resistant paint and this can be cleaned with a soft brush.

Do not clean whilst the stove is hot.

The finish can be renovated with Cleanburn stove paint.

Glass Panel

Clean the glass panel when cool with proprietary glass cleaner.

Highly abrasive substances should be avoided as these can scratch the glass and make subsequent cleaning more difficult.

Wet logs on heated glass, a badly aimed poker or heavy slamming of the door could crack the glass panel.

The glass will not fracture from heat.

Firebricks

In normal use, these can last for many years. It is possible however, to crack them if logs are continually jammed against them or if they are frequently struck with a poker.

Check periodically for seriously cracked bricks, which can be replaced with new, available from your dealer.

Door Catch

The door catch may require adjustment to maintain the door seal.

To adjust the catch:

- Loosen the M6 grub screw.
- Rotate the catch shaft one complete turn to achieve the correct door operation.
- Tighten the grub screw.

Rope

Check the rope around the door. If rope is becoming detached, use Cleanburn rope glue to reattach it. If the rope is in a poor condition, a replacement rope kit may be ordered from the Cleanburn stoves spares range.

Chimney and Flue ways

It is important that the chimney, flue ways and any connecting flue pipe are swept regularly. This means at least once a year for smokeless fuels and at least twice a year for wood and other fuels.

The baffle will need to be removed from its supports in order to sweep the chimney (see assembly instructions).

Only wire-centred sweeps' brushes fitted with a guide wheel should be used.

If it is not possible to sweep all parts of the chimney through the appliance, ensure there is adequate access to cleaning doors.

Periods of Prolonged Non-Use

If the stove is to be left unused for a prolonged period of time then it should be given a thorough clean to remove ash and unburned fuel residues. To enable a good flow of air through the appliance to reduce condensation and subsequent damage, leave the air controls fully open

Glass Gasket

The glass gasket used on this appliance is produced from a heat resistant material called Manniglas.

The glass gasket will have to be replaced when a new piece of glass is fitted as the gaskets become brittle after firing the stove.

Over time you may also find that the gasket changes colour.

This is due to a reduction in the pigment used in the manufacture of the product and no cause for concern.

Troubleshooting

Fire will not burn

Check that:

- The air inlet is not obstructed in anyway.
- Chimneys and flue ways are clear.
- A suitable fuel is being used.
- There is an adequate air supply into the room.
- An extractor fan is not fitted in the same room as the stove.
- Flue draught is above minimum level (see installation instructions).

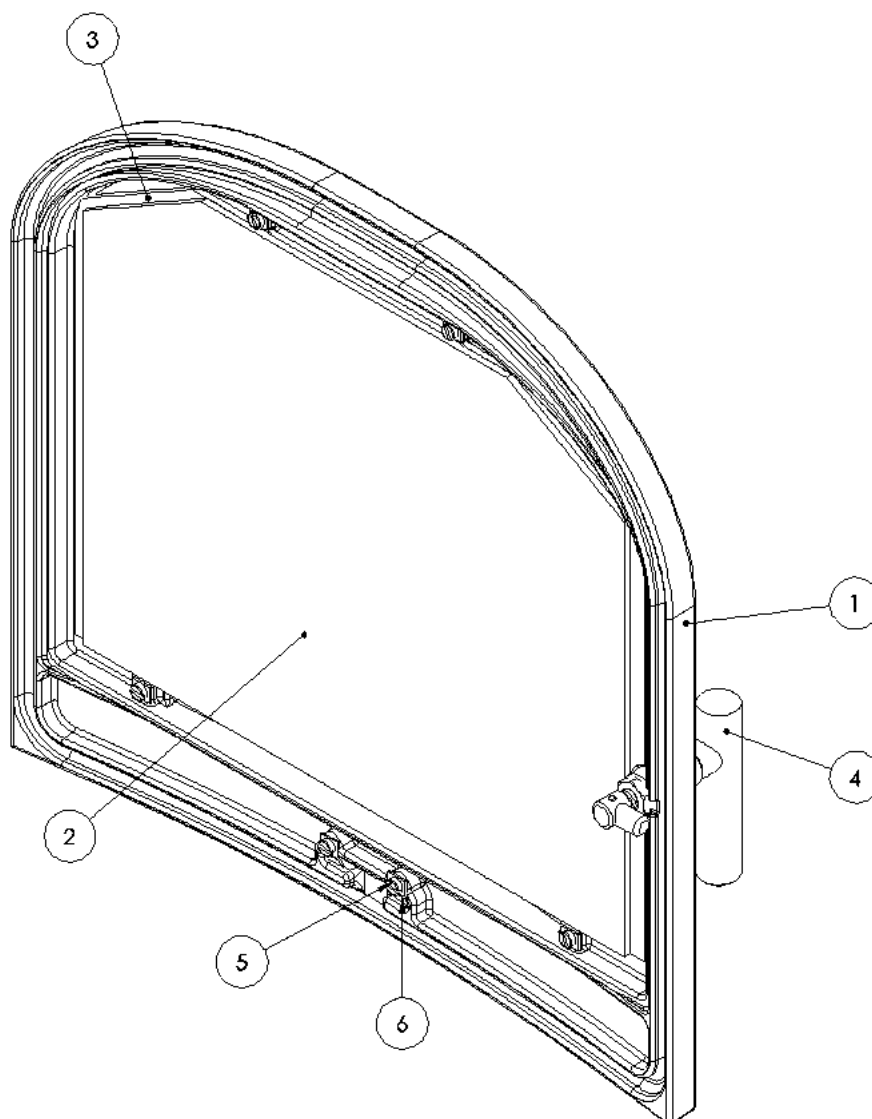
Fire blazing out of control

Check that:

- The doors are tightly closed.
- The air controls are all in the closed position.
- A suitable fuel is being used.
- The glass retaining clips are not loose.
- The door rope seals are in good condition
- Flue draught is below maximum level (see installation instructions).

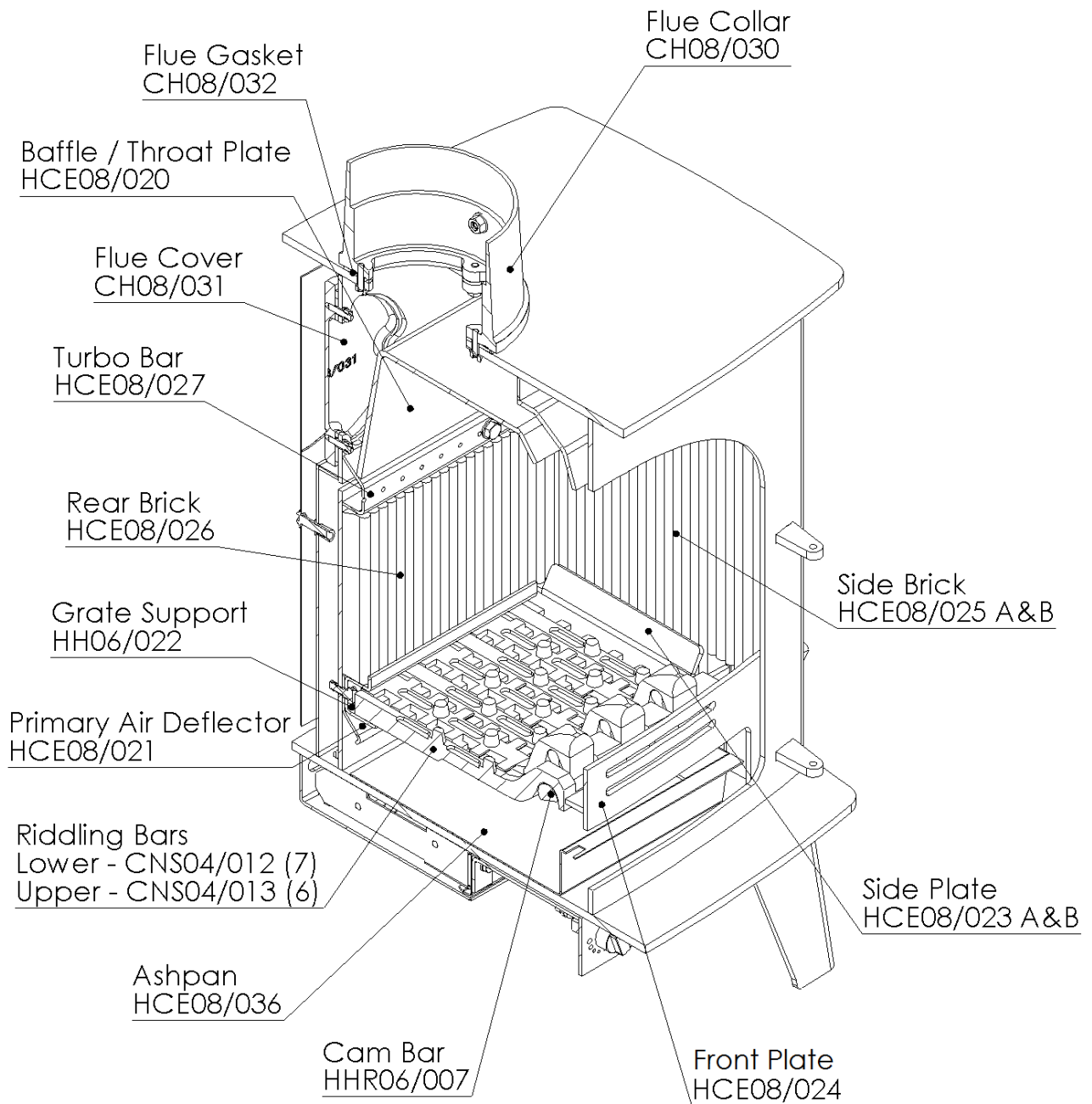
Spares Information

Door Spares



ITEM NO.	PART NUMBER	DESCRIPTION	QTY.
1	HCE08001 revC	Door - Single, Skagen	1
2	HCE08029	Glass, Skagen	1
3	HCE08030	Gasket, Door	1
4	ECO02ARRT006	Handle Assy, SS, eco 2	1
5	FSJM05008SS	Screw, CHS Head, M5x8, SS	6
6	HHR08046	Glass Clip, Standard	6
7	Rope^HCE08ARRT002	Ø10mm Ceramic Rope, 1580mm	1

Body Spares



Air Controls

