

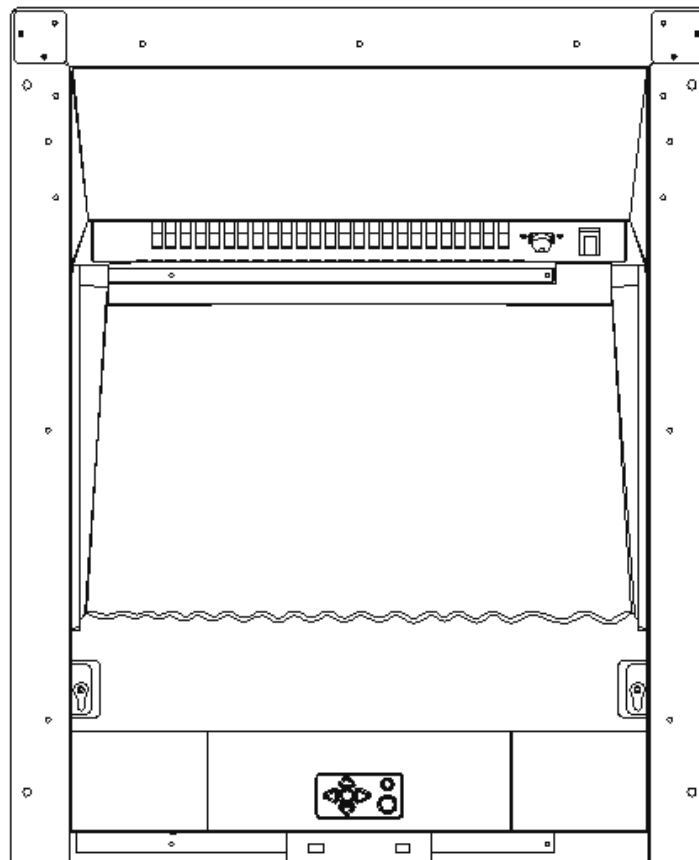


HOMEOWNERS INSTRUCTIONS & OPERATING MANUAL

HEARTH MOUNTED ELECTRIC HEATER WITH REMOTE CONTROL

Model No. B-127740
Article No. CLCD**RE

**** denotes trim and fret variant fitted to product**



IMPORTANT

**PLEASE READ THE INSTRUCTIONS CAREFULLY BEFORE INSTALLATION
AND/OR USE OF THIS ELECTRIC FIRE AND RETAIN FOR FUTURE REFERENCE**

TABLE OF CONTENTS

	Page
SECTION 1: IMPORTANT INSTRUCTIONS.....	3-4
SECTION 2: SPECIFICATIONS.....	5
SECTION 3: STRUCTURE AND PARTS.....	5
SECTION 4: INSTALLATION	
4.1 Tools required	5
4.2 Unpacking the heater.....	5
4.3 Locating your electric heater.....	6-7
SECTION 5: OPERATING INSTRUCTIONS	8
5.1 Operating the appliance using the Manual Keypad.....	9
5.1.1 Operating by Remote Handset.....	9
5.2.1 Button Description.....	10
5.2.2 How to change the manual heat setting.....	10
5.2.3 How to use the thermostat.....	11
5.2.4 How to use the function settings.....	12
5.2.4.1 How to change the Flame Image.....	12
5.2.4.2 How to change the Flame Speed.....	13
5.2.4.3 How to change the Volume.....	13
5.2.4.4 How to change the Brightness.....	13
5.2.4.5 How to change the Sleep Timer.....	14
SECTION 6: MAINTENANCE.....	15
SECTION 7: ENVIRONMENT.....	15
SECTION 8: SERVICING.....	15

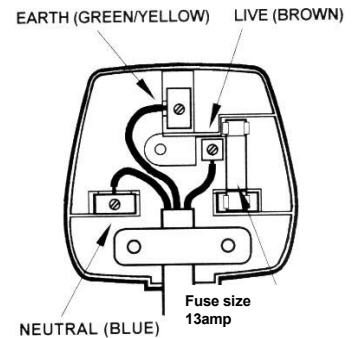
SECTION 1: IMPORTANT SAFEGUARDS

WHEN USING ELECTRICAL APPLIANCES BASIC PRECAUTIONS SHOULD ALWAYS BE FOLLOWED TO REDUCE THE RISK OF FIRE, ELECTRIC SHOCK AND INJURY TO PERSON, INCLUDING THE FOLLOWING IMPORTANT SAFETY ADVICE.

READ ALL INSTRUCTIONS BEFORE USING HEATER.

Regarding installation of the appliance;


- This appliance is supplied with a rewirable plug fitted with a 13A fuse. Should the fuse or plug need replacing, and you are competent to do so, it must be replaced with a 13A fuse and the plug must be a 13amp BS1363A approved fitted with a 13A fuse.
- Connect this appliance to single-phase AC supply of the voltage specified on the rating plate.
- This heater must be earthed. If in any doubt consult a suitable competent person.
- Ensure that the plug socket-outlet connection for this appliance is accessible. It **MUST** be readily accessible for easy electrical isolation in the event of servicing and replacing components etc.
- This appliance **MUST NOT** be located immediately below an electrical socket-outlet.
- Avoid the use of an extension cord as this may overheat and cause a risk of fire.
- Running this appliance on heat setting 2 (2000W) with another piece of electrical equipment on the same circuit may cause the fuse of this appliance to blow, or your circuit breaker to turn off the power supply. If this occurs reconnect one of the appliances to another circuit.
- This appliance is fitted with an automatic thermal cut out to reduce the risk of damage in the event of abnormal operation e.g. when covered. If the heater stops operating whilst the flame effect continues normally this indicates that the cut out is in operation. If this occurs disconnect the power supply at the plug socket-outlet and ensure that any obstructions to the fan heater outlet or fan blades etc. are removed. The heater will automatically reset when cool enough. The thermal cut out **WILL NOT RESET** unless the obstruction is removed and the appliance cools. If the heater is still not operating after 10 minutes disconnect the appliance and seek expert advice.
- If the supply cord is damaged it must be replaced by the manufacturer, its service agent or a similarly qualified person in order to avoid a hazard. The cable used **MUST** be capable of handling 2.5kW of power at 240V and **MUST** contain an earth wire.
- To completely shut this appliance off turn all the controls to OFF and remove the plug from the socket-outlet.
- Use the heater in a well-ventilated area.



Regarding persons operating the appliance;

- This appliance is not intended for use by persons (including children) with reduced physical, sensory or learning disabilities, or lack of experience and knowledge, unless given supervision or instruction concerning use of the appliance by a person responsible for their safety.
- Children should be supervised at all times to ensure that they do not play with the appliance.
- Extreme caution is necessary when any heater is used by or near children, invalids or elderly persons and whenever the heater is left operating and unattended.



DO NOT cover the heater. The meaning of figure  is “**WARNING! DO NOT COVER**”. This is to avoid over-heating of the product.

DO NOT leave the heater unattended while it is in use. Always turn the appliance to the OFF position and unplug it from the electrical outlet when not in use.

DO NOT operate this appliance with a damaged cord or plug, or after the appliance malfunctions, has been dropped or damaged in any way.

DO NOT use this appliance with a programmable timer or any other device that switches the appliance on and off automatically. In order to avoid a hazard due to inadvertent resetting of the thermal cut out, this appliance must not be supplied through an external switching device, such as a timer, or connected to a circuit that is regularly switched on and off by a utility.

DO NOT use this appliance as a freestanding appliance. It must always be fixed to a wall, fireplace or floor etc.

DO NOT insert or allow objects to enter any ventilation or exhaust openings on the appliance. To prevent a possible fire do not block air intakes or exhaust openings in any manner.

DO NOT use on soft surfaces, such as beds, where openings may become blocked. Use the appliance on flat, dry surfaces only.

DO NOT place this appliance near flammable materials, surfaces or substances, as there may be a risk of fire. Keep flammable materials, surfaces or substances at least 1 metre from the front of the product and keep them away from the sides and rear.

DO NOT use this appliance in any areas where petrol, paint or other flammable liquids are stored e.g. a garage or a workshop as the appliance contains components capable of producing a spark.

DO NOT use this appliance in the immediate surroundings of a bath, shower or swimming pool. Make sure it cannot fall into water. Never touch the appliance with wet hands.

DO NOT let bare skin touch any hot surfaces to avoid burns and personal injury. This heater is hot when in use.

DO NOT use outdoors.

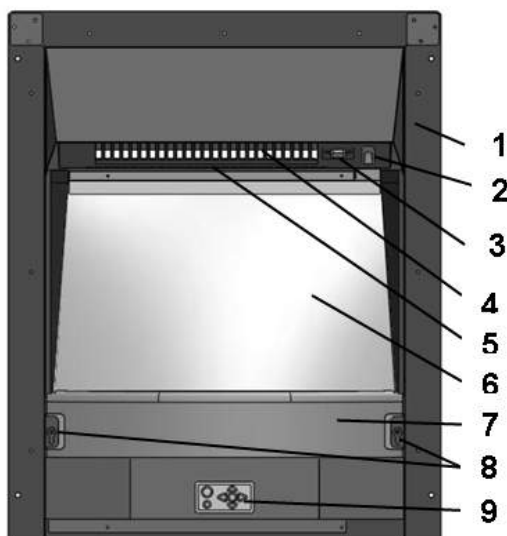
This appliance is for household use only.

KEEP THESE INSTRUCTIONS IN A SAFE PLACE

SECTION 2: SPECIFICATIONS

Voltage	220-240 V AC, 50 Hz
Total Watts	2000 Watts
Dimensions overall	480mm x 595 x 140mm
Dimensions inset	405mm x 555 x 80mm

SECTION 3: STRUCTURE AND PARTS



1. Enclosure
2. ON/OFF Switch
3. Remote Sensor
4. Air Outlet
5. Air Inlet
6. Screen
7. Fuel bed
8. Hook
9. Manual Keypad

SECTION 4: INSTALLATION

4.1 Tools required

Magnetic Phillips Screw Driver



4.2 Unpacking the appliance



WARNING! DO NOT USE THIS APPLIANCE IF ANY PART HAS BEEN UNDER WATER. IMMEDIATELY CALL A QUALIFIED SERVICE TECHNICIAN TO INSPECT AND TO REPLACE ANY PART OF THE ELECTRICAL SYSTEM IF NECESSARY.

- Open the packaging carefully and remove the foam.
- Remove and discard the plastic bag.
- Be responsible when handling the packing materials.
- Keep the original packaging for future transportation and/or storage.
- Check all accessories are removed from the packaging before storing it away for future use.

KEEP PLASTIC WRAPPING AWAY FROM CHILDREN

4.3 Locating your electric heater

NOTE: If installing in an existing fireplace and chimney you should;

- block the chimney with fiberglass insulation or similar to prevent it sucking air away through the appliance. Failure to do this may cause poor performance and loss of heat or cause the appliance cut out,
- not install into an existing fireplace that is prone to dampness,
- thoroughly clean inside the chimney cavity/walls to remove any dust and debris prior to installation of the electric fire.

Do not place the electric fire directly on carpets. This is to avoid possible discolouring caused by the heat or blockage of air inlets.

Make sure that the plug or fused spur is accessible after the electric fire is fitted.

Before connecting the appliance make sure that its rating corresponds to that of the mains supply and the fuse is the correct rating.

The appliance should be located close to a suitable mains socket-outlet to enable connection. The electrical socket-outlet must be easily accessible to allow disconnection.

NOTE: the appliance is fitted with an inlet plug and socket underneath the right side of the casing. Always make sure that it is fully pushed in and secure before operating the fire. Damage could occur if it is not fitted properly.

To secure the appliance permanently into a recess in the wall or back panel the appliance can be screwed through the frame of the firebox.

To secure the appliance in the opening place the fire in position and using a pencil, mark the positions of the holes on the wall through the frame. Remove the fire and drill and plug the marked holes. Re-fit and secure the fire (see Figure 1)

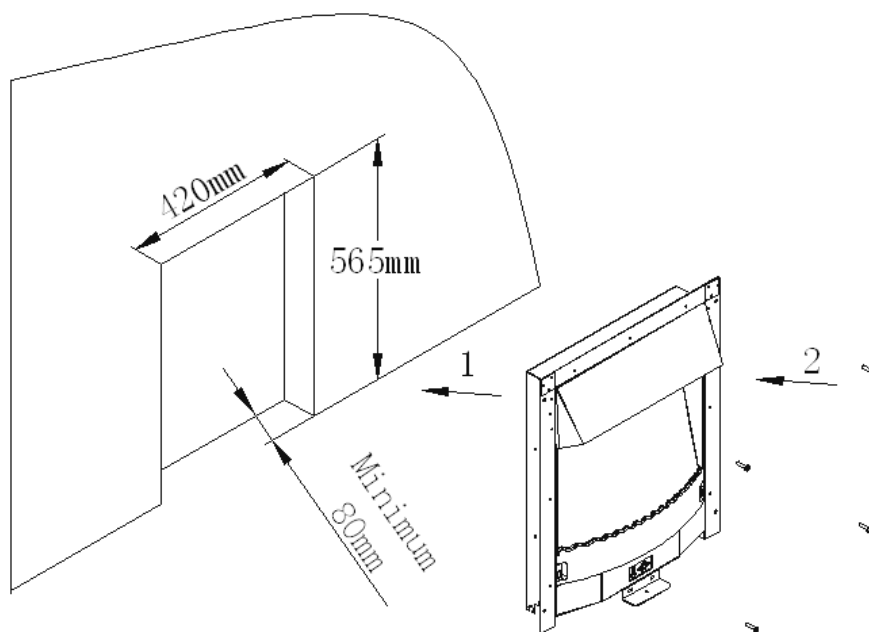


Figure 1

Fit the trim frame to the fire using the magnetic strips provided. Place the fret or front casting in front of the fire (see Figure 2)

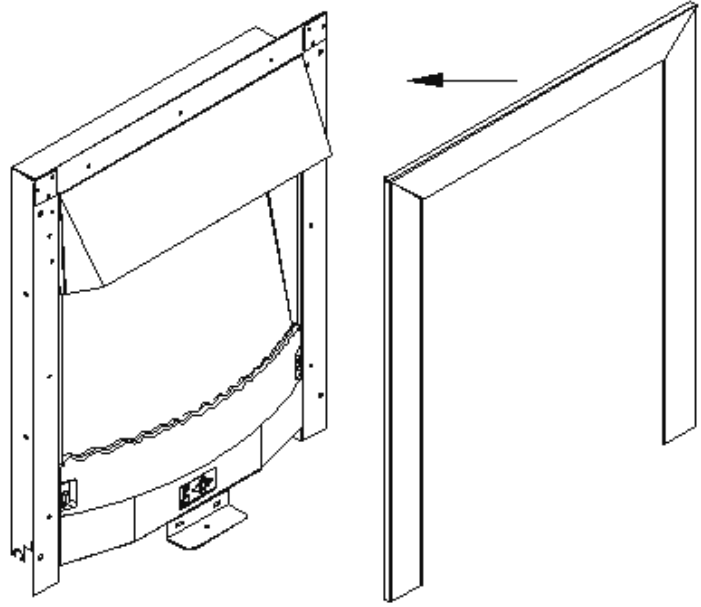


Figure 2

Position the fret up to the appliance (see Figure 3)



WARNING! KEEP DRAPERY AND OTHER FURNISHINGS AT LEAST 3'0.9M FROM THE FRONT AND SIDES OF THE ELECTRIC HEATER

SECTION 5: OPERATING INSTRUCTIONS



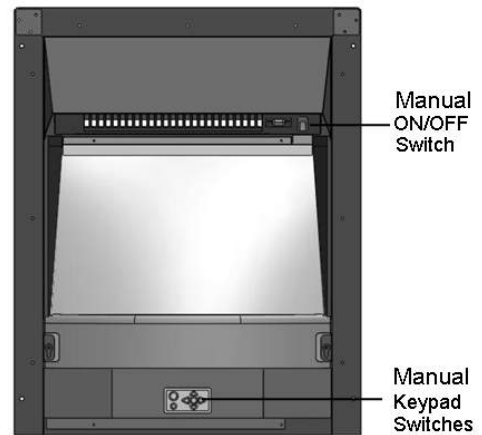
CAUTION! THE UNIT'S POWER CORD MUST BE CONNECTED TO A PROPERLY GROUNDED AND PROTECTED 240V OUTLET. ALWAYS USE GROUND FAULT PROTECTION WHERE REQUIRED BY THE ELECTRICAL CODE.

This appliance can be operated by both the remote control and the manual keypad. Once the unit has been properly connected to an earthed electrical socket-outlet ensure the manual On/Off switch, located on the right hand side of the appliance (see below), is in the 'ON' position.

MANUAL ON/OFF SWITCH

Use this switch to turn the appliance on/off. Once turned off the appliance will need to RE-BOOT before use – see details below.

NOTE: The manual on/off switch must be in the 'ON' position when using both remote and manual operation.



WARNING! DO NOT OPERATE THE UNIT IF IT IS DAMAGED OR HAS MALFUNCTIONED. IF YOU SUSPECT THE UNIT IS DAMAGED PLEASE CALL A QUALIFIED SERVICE TECHNICIAN TO INSPECT AND TO REPLACE ANY PART OF THE ELECTRICAL SYSTEM IF NECESSARY.

BOOT UP PROCEDURE:

Switch the Manual ON/OFF switch to the ON position. The screen should now appear white for a few seconds after which the 'boot-up' sequence will begin.

Boot-up can take up to 2 minutes during which this hourglass icon will be seen -



When boot-up is complete this icon will be seen on the screen -



Press the ON/Standby button when prompted.

The appliance is now ON.

NOTE: If the Manual ON/OFF switch is turned to the OFF position, the heater cuts off due to overheat or the power to the unit is interrupted, the unit will reboot once power is restored.

NOTE: If this product experiences exceptionally low or exceptionally high supply voltages it may automatically reset or stop functioning. If this occurs the product should be unplugged or isolated from the main supply for a period of 30 seconds before the power is then re-supplied.

5.1 Operating the appliance using the Manual Keypad

MANUAL KEYPAD SWITCHES

The keypad switches (shown below), located at the bottom of the appliance, provide identical functionality to the remote control handset. For a detailed description of the function of each button see the section below titled 'Operating by Remote Handset'.



NOTE: The manual keypad on the appliance will provide you with complete functional control of the unit. It is intended however that this keypad is used only if you lose the remote handset or the handset batteries have failed. Please use the remote handset to carry out all function.

5.1.1 Operating by Remote Handset

- Ensure the batteries are installed properly in the remote control handset.
- The effective range of the remote control is up to 4 metres (13 feet).
- The appliance must have completed the initial BOOT-UP sequence before the remote will function.

IMPORTANT NOTE REGARDING THE USE OF THE REMOTE CONTROL HANDSET

The Celsi remote handset has been ergonomically designed to enable the operator to view the keypad whilst transmitting signals to the appliance. Unlike most remote handsets which require the tip of the handset to be pointed towards the appliance the Celsi handset transmits from the underside as shown below. This prevents the requirement to rotate and point the remote when the buttons are pushed.



5.2.1 Button Description

The functionality of the buttons described below is the same for both the remote control handset and the manual keypad.

ON/STANDBY: This button is used to turn the fire ON or OFF.

MUTE: This button is used to mute the sound or restore the sound.

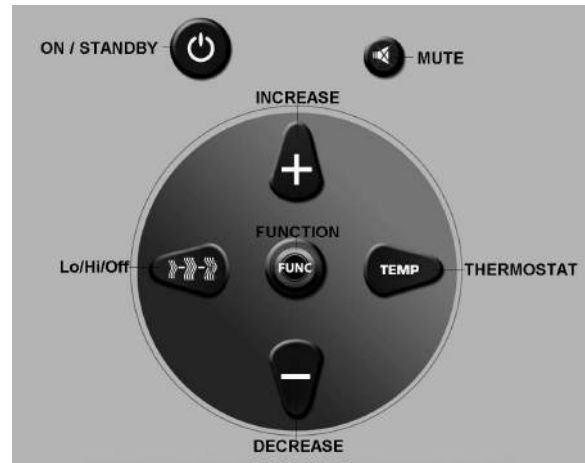
Lo/Hi/Off: This button is used to change the manual heat setting to Low, High or Off. For further information see page 9 '*How to change the manual heat setting*'.

THERMOSTAT: This button is used to turn the thermostat on. For further information see page 10 '*How to use the thermostat*'.


FUNCTION: This button is used to enter function mode. For further information see page 11 '*How to use the function features*'.

INCREASE: This button is used to change a '*thermostat*' or '*function*' setting.

DECREASE: This button is used to change a '*thermostat*' or '*function*' setting.



5.2.2 How to change the manual heat setting

Press the  button to place the appliance into *manual heat mode*.

NOTE: When this button is pressed the appliance will fall out of thermostat mode if previously set.

Press the Lo/Hi/Off button to put the heater in to LOW heat setting mode. The heating fan on the left side of the appliance will turn on.


Press the Lo/Hi/Off button again to put the heater in to HIGH heat setting mode. The heating fans on both sides of the appliance will now be turned on.

Press of the Lo/Hi/Off button again to turn both the heater fans OFF.

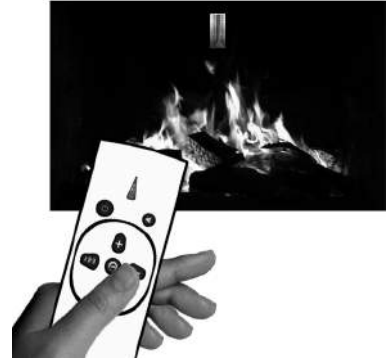
The next press of the Lo/Hi/Off button will return the unit to the LOW heat setting, and so the cycle is repeated.



5.2.3 How to use the thermostat

Press the  button to put the appliance into *thermostat* mode.


NOTE: When this button is pressed the appliance will fall out of manual heat mode if previously set.



When running in thermostat mode the unit will regulate the heat setting automatically between high and off in order to maintain the comfort level selected. To change the comfort level follow the steps below.

Press the 'TEMP' button to display the *thermostat* icon on screen. This icon shows the current thermostat heat setting.

This icon will remain on screen for 3 seconds. If no other buttons are pressed during this time the icon will disappear from the screen and continue to run at this thermostat setting.

When the thermostat icon is on screen the thermostat heat setting can be changed by pressing the  buttons to increase or decrease the regulated temperature.

The on screen icon will now display the new heat setting. There are ten comfort levels to choose from:




Lowest <- -> Highest

Select a satisfactory setting and then wait for 3 seconds for the icon to disappear.

The thermostat is now set.

NOTE: The unit will continue to run in thermostat mode until the appliance is switched OFF or the unit is set to manual heat mode.

5.2.4 How to use the function settings

Press the  button to enter *function* mode. The first of the five available functions will now be displayed on screen.

The five functions are as follows:



Flame Image



Flame Speed



Volume




Brightness



Sleep Timer

To access each of the functions simply continue to press the 'FUNC' button until the required function is displayed.

The icon will stay on screen for 3 seconds. If no other buttons are pressed during this time, the icon will disappear from the screen and continue to run with its current setting.


The  buttons can be used to change each function setting.

Descriptions of the six function modes are shown separately in the sections below.

5.2.4.1 How to change the Flame Image



Press the 'FUNC' button as described above to display the *flame image* icon on the screen.

Press the  buttons to change the *flame image*. There are three flame images to choose from and the image will change on the screen as you scroll through the selections. Once the desired image is selected wait for 3 seconds for the on screen icon to disappear.

The *flame image* is now set.



5.2.4.2 How to change the Flame Speed



Press the 'FUNC' button as described above to display the *flame speed* icon on the screen.

Press the **+** **-** buttons to change the *flame speed*. There are five flame speeds to choose from and you will see the speed change as you scroll through the selections. Once the desired speed is selected wait for 3 seconds for the on screen icon to disappear.

The *flame speed* is now set.



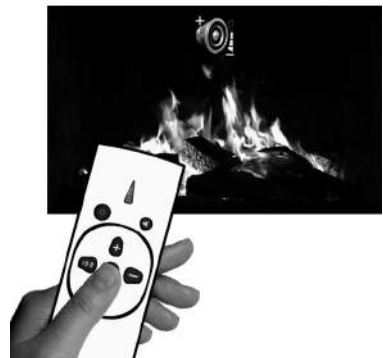
5.2.4.3 How to change the Volume



Press the 'FUNC' button as described above to display the *volume* icon on the screen.

Press the **+** **-** buttons to change the *volume*. There are 6 *volume* settings to choose from (including mute) and you will hear the *volume* change as you scroll through the selections. Once the desired *volume* is selected wait for 3 seconds for the on screen icon to disappear.

The *volume* is now set.



5.2.4.4 How to change the Brightness



Press the 'FUNC' button as described above to display the *brightness* icon on the screen.

Press the **+** **-** buttons to change the screen *brightness*. There are 3 *brightness* settings to choose from and you will see *brightness* change as you scroll through the selections. Once the desired *brightness* is selected wait for 3 seconds for the on screen icon to disappear.

The *brightness* is now set.





NOTE: In daylight conditions this brightness change may appear quite subtle

5.2.4.5 How to change the Sleep Timer



Press the 'FUNC' button as described above to display the *sleep timer* icon on the screen.

Press the   buttons to change the *sleep timer*.



There are 9 *sleep timer* settings to choose from (including off):



OFF



30 mins



1 hour



1 hour 30 mins



2 hours



2 hours 30 mins



3 hours



3 hours 30 mins



4 hours

Once the desired *sleep timer* is selected wait for 3 seconds for the on screen icon to disappear.

The *sleep timer* is now set.

IMPORTANT NOTES REGARDING THE USE OF THE SLEEP TIMER

Once the *sleep timer* has been changed from 'OFF' to any of the 8 available *sleep timer* setting, the appliance will now continue to run for the selected time. Once this time has elapsed the appliance will automatically turn to STANDBY.

If the *sleep timer* has been selected and it is no longer required it can be cancelled by entering the function mode, selecting the *sleep timer* and changing the setting to 'OFF'.

Whilst the appliance is running in *sleep timer* mode it is still possible to change any functionality without affecting the timer, for example, heat setting or mood lighting.

If the *sleep timer* setting is changed whilst the *sleep timer* is in operation the new setting will now be used for the *sleep timer* process.

The *sleep timer* is always reset to 'OFF' after entering standby mode .

SECTION 6: MAINTENANCE

- Always remove the plug from the socket-outlet and allow the heater to cool down before cleaning it.
- Wipe the exterior surface of the appliance occasionally with a soft damp cloth (not dripping wet) and dry the exterior surface before operating the heater.



WARNING!

Do not immerse the heater in water.

Do not use any cleaning chemicals such as detergents and abrasives.

Do not allow the interior to get wet as this could create a hazard.

- Light accumulated dust may be removed from the appliance with a soft dry cloth.
- To store away the appliance put it back in to its original packaging and store it in a clean dry place.
- In the event of malfunction do not try to repair the heater yourself as this may result in a fire hazard or electric shock.

SECTION 7: ENVIRONMENT



Meaning of crossed –out wheeled dustbin

Do not dispose of electrical appliances as unsorted municipal waste. Use separate collection facilities. Contact your local government for information regarding the collection services available in your local area. If electrical appliances are disposed of in landfills or dumps hazardous substances can leak into the groundwater and get into the food chain, thus damaging your health and well being. When replacing old appliances with new ones the retailer is legally obligated to take away your old appliance for disposal free of charge.

SECTION 8: SERVICING

BFM EUROPE LTD
GORDON BANKS DRIVE, TRENTHAM LAKES STOKE-ON-TRENT ST4 4TJ

Technical Queries: 01782 339039

Service Fault Enquiries: 0844 7700 169

Please note there are no user replaceable parts on this appliance.

Model No.: B-127740