



## **BURLEY G4121 mk2 FLUELESS GAS HEATER**

# **INSTALLATION, SERVICING & USER INSTRUCTIONS**

FOR USE IN THE COUNTRIES STATED ON THE DATA PLATE AND CARTON  
WITH NATURAL GAS G20  
OR LPG PROPANE GAS G31  
(REFER TO RATING LABEL)

For the following countries: GB, IE

**EVEN IF YOU HAVE FITTED THESE FIRES BEFORE,  
PLEASE FOLLOW THESE INSTRUCTIONS STEP BY STEP.**

*Legislation and regulations do change over time!*

**LEAVE THESE INSTRUCTIONS WITH THE USER**

TO OBTAIN YOUR FIRST YEAR GUARANTEE, THE INSTALLER AND CUSTOMER  
MUST FILL IN THE SEPARATE GUARANTEE AND RETURN IT TO  
BURLEY WITHIN 7 DAYS OF FITTING.  
A FREE SECOND YEAR GUARANTEE IS OFFERED SUBJECT TO THE FIRE BEING SERVICED  
BY A CORGI ENGINEER DURING THE FIRST YEAR OF OWNERSHIP.  
PROOF OF SERVICING MUST BE RETAINED  
**FAILURE TO HAVE THIS APPLIANCE FITTED BY A CORGI REGISTERED  
FITTER INVALIDATES THE WARRANTY**

**Burley Appliances Ltd,**

Lands End Way, Oakham, Rutland, LE15 6RB  
Telephone: +44 (0)1572 756956 Fax: +44 (0)1572 724390  
e-mail: [info@burley.co.uk](mailto:info@burley.co.uk) web: [www.burley.co.uk](http://www.burley.co.uk)

G4121InstUser  
G20/31  
Issue JAN08 – v.1

## INTRODUCTION

Thank you for choosing this burley product. All of our products carry a CE mark which is awarded by an independent test house (notified body) and shows the fires have been type tested to meet the essential requirements of the European Gas Appliance Directive and the appropriate British Standards.

This is a highly efficient Flueless Inset Live Fuel Effect Appliance. The burner system is very clean burning and a catalyst cleans the combustion products even further.

A thermostat in the burner control system adjusts heat output to maintain a room temperature, which can easily be set by the user. The appliance is operated via a battery powered remote control system. There is also a separate control to adjust the flame effect as required. Please demonstrate its operation to the customer before leaving.

An oxygen depletion sensing pilot light is also fitted and will sense any significant oxygen depletion in the room and shut the fire down safely.

## 1. APPLIANCE DATA

Refer to the appliance data badge (affixed behind controls door) **ENSURE THAT THE LOCAL CONDITIONS OF USE CORRESPOND TO THE INFORMATION ON THE DATA BADGE.**

	<b>Natural Gas G20</b>	<b>LPG (Propane) G31</b>
<b>Category</b>	I2H	I3P
<b>Supply Pressure</b>	20mBar	37mBar
<b>Inlet Pressure</b>	20mBar*	37mBar*
<b>Burner Pressure</b>	<b>(High)</b> 9.4mBar <b>(Low)</b> 2.2mBar	35.5mBar 8mBar
<b>Heat Input (Net)</b>	<b>(High)</b> 3.5kW <b>(Low)</b> 1.7kW	3.5kW (250g/h) 1.7kW (120g/h)
<b>Inlet Connection</b>	8mm Compression	8mm Compression
<b>Injector</b>	stereo 185	stereo 95

\*The inlet pressure must be **within +/- 1mBar** of specification with **all** gas appliances in the house switched on **and also** with just the Burley heater operating. If outside of this tolerance the fault is most likely to be in the installation pipe work or service governor at the meter. If the problem is the meter governor, this is the property of the gas service provider (such as Transco / National Grid 0800 111999 or Bord Gais) and they should be called to rectify this. The fire will not operate correctly if the pressures are incorrect.

## 2. UNPACKING THE APPLIANCE

- 2.1** Carefully examine the carton for damage before unpacking. If it is obviously damaged, consult the supplier as to whether to proceed with the installation.
- 2.2** Make sure the carton is stood upright and open the top. Remove the cardboard top fitting and place to one side; this box can be used as a hearth protector when installing the fire.
- 2.3** Remove the fittings boxes contained within and open them and check the condition of the contents. Remove the fire and examine its general condition, paying particular attention to the frame, the glass front and fire box flanges.
- 2.4** If satisfied by the general condition, place the decorative components to one side and proceed with the installation. If in any doubt, seek advice from the supplier. **Read these instructions fully before proceeding even if you have fitted this model before.**

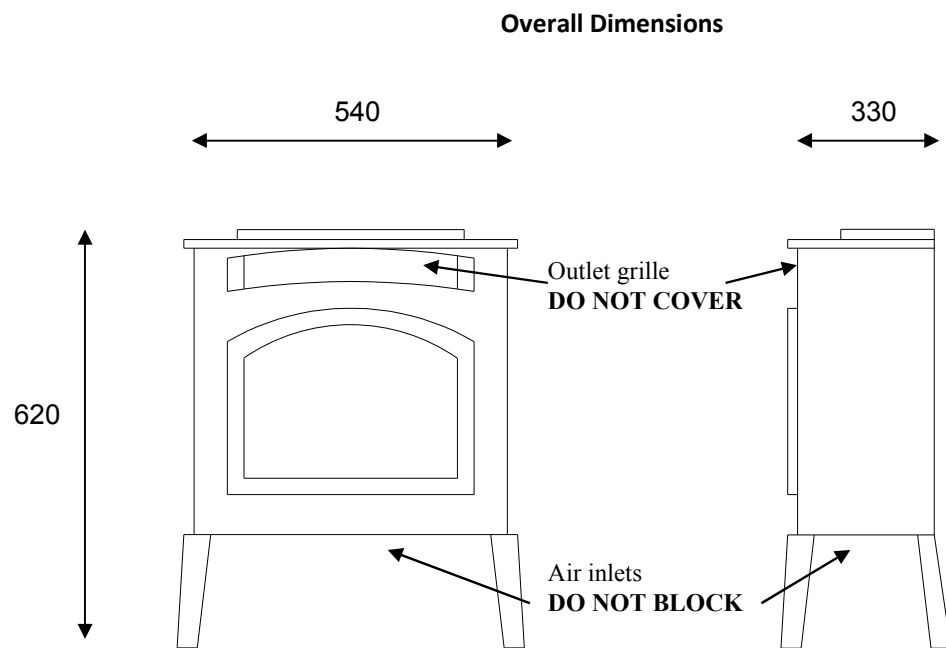
### **3. GENERAL REQUIREMENTS**

- 3.1 Gas appliances must be installed in accordance with the rules in force. In the UK it is the law that all gas appliances must be installed by a CORGI registered installer, in accordance with the Gas Safety (Installation and Use) regulations (as amended). The installation must also be in accordance with the relevant parts of local and national building regulations and in accordance with BS5871 pt4 except where Burley instruction state differently. For the Republic of Ireland, reference should be made to IS813 and ICP3 and any guidance notes from Bord Gais. Failure to have the fire fitted by a qualified person nullifies **ALL** guarantees.
- 3.2 The space to be heated must have a wall vent of at least 100cm<sup>2</sup> of ventilation and an openable window or patio door. The vent must be positioned at least 1 metre away from the appliance. A vent may have been supplied with the appliance and this is the preferred type although it is possible to use alternatives.
- 3.3 In the Republic of Ireland two vents of not less than 60cm<sup>2</sup> each, one not less than 1.6m above the other, must be installed in the room.
- 3.4 When providing ventilator openings consideration must be given to the avoidance of locations where discomfort from draughts may cause the user to block the openings. Similarly the possibility of curtains or furniture blocking ventilation openings must be considered. Floor vents, closable window vents or chimneys are not suitable means of ventilation.
- 3.5 Working surfaces include the air outlet grille.
- 3.6 The heater must not be used in a room area of less than 40m<sup>3</sup> in volume. To convert cubic feet (ft<sup>3</sup>) to cubic metre (m<sup>3</sup>) divide the room volume in cubic feet by 35.3. Adjoining spaces, not separated by a door may be combined.
- 3.7 The heater must not be used on or against a combustible surface.
- 3.8 No furniture, soft furnishings, decorations, wall coverings or curtains must be within 1 metre of the appliance and its convection outlets.
- 3.9 The heater must not be installed in high rise flats or basements.
- 3.10 Do not install this appliance in:
  - a) A bathroom, shower room or in a room used or intended to be used as sleeping accommodation. Sleeping areas must be separated from the appliance by a door.
  - b) In a cupboard or compartment within such a room; or
  - c) In a cupboard, compartment or space adjacent to such a room if there is an air vent from the cupboard, compartment or space into such a room.
- 3.11 When the heater is not to be used for a time, ensure the gas control or adjacent isolators are turned off.
- 3.12 Using this appliance as a sole heat source can lead to condensation problems in periods of cold weather and heavy use. Always ensure that the room has a background heat source such as central heating or storage heaters.
- 3.13 The fire must not be run with its door open or with cracked, incorrectly fitted or missing glass.
- 3.14 The glass door acts as a guard on the appliance to prevent risk of fire or injury from burns and no part of it may be permanently removed. It does not give full protection for young children, the elderly or infirm. Parts of the appliance get hot, an additional guard to BS6539 or BS6778 must be used in the presence of children, the elderly and infirm.
- 3.15 This is not a drying appliance. Do not place clothing or other articles, on or against it.
- 3.16 On no account must air inlets under the stove or outlet grills (see diagram below) be obstructed.
- 3.17 Do not store or use flammable substances on or near the heater.
- 3.18 Do not spray aerosols on or near the heater when it is working.

- 3.19 Do not use whilst painting & decorating, or in newly decorated rooms as the residues can lead to unpleasant smells from the appliance. Always cover or have the appliance removed when decorating.
- 3.20 The heater must not be used in rooms where the atmosphere is likely to contain water or chemical vapours which may adversely affect the appliance or its finish.
- 3.21 If any material, such as plastic, melts onto the surface of the glass, turn the heater **off** and **allow it to cool. Do not remove the material when hot.** A proprietary ceramic hob cleaner such as 'hob brite' can be used to clean the glass. Only clean the appliance when cold.

#### 4. **WARNINGS**

- 4.1 **Read the instructions before using this appliance.**
- 4.2 **This appliance requires installation by a competent qualified person.**
- 4.3 **Use only in a correctly sized and ventilated area.**
- 4.4 **Once the coals have been positioned in accordance with the installation instructions, they must not be moved except for servicing.**
- 4.5 **The surfaces of the appliance become very hot during use.**
- 4.6 **Before cleaning or maintenance switch fire OFF and allow to cool.**
- 4.7 **Any purpose provided ventilation should be checked regularly to ensure it is free from obstruction.**



#### 5. **Hearths, floor protection and carpets**

- 5.1 This appliance does not need a hearth and can be used on wooden, laminate floors and non-combustible surfaces. It must not be placed directly onto carpets or rugs. Where the floor is carpeted, the carpet must finish 100mm clear of the appliance legs and be fully removed underneath. Loose rugs should be kept well away from the appliance (warn the customer of this).
- 5.2 Standing the appliance directly on a floor can lead to discolouration and / or drying out.
- 5.3 When a hearth is used, the top surface can be wood but be aware that heat can discolour certain finishes over a period of time and can dry out poorly seasoned wood causing splitting. The hearth should be 100mm larger than the appliance all round and minimum 12mm thick. Carpets can come to the edge of the hearth.

## 6. Clearance to Walls

**Rear Clearance** - The rear of the appliance can be installed directly against a non combustible wall. A distance of 50mm should be allowed to walls with wooden cladding, wallpaper, or finishes likely to be affected by heat.

**Side Clearance** - The sides of the appliance can be installed with 25mm of side clearance to non combustible materials. Combustible material such as wood may be fitted to within 100mm of the sides of the firebox provided it protrudes no further forward than 100mm.

**Top Clearance** - The heat from the appliance is concentrated towards the front edge directly above the combustion products outlet. The clearances stated relate to a distance from the back edge of the stove.

A non combustible shelf may be fitted to within 50mm of the top edge of the fire.

Maximum depth of shelf	100mm	150mm	200mm
Minimum distance from	200mm	250mm	300mm
Top of fire to underside of shelf			

**These distances should be doubled if the shelf is above the outlet grille.**

**The fireplace and ALL materials including paints or lacquers must be rated for a minimum constant temperature of 150°C. Any hearth or back panel not meeting the above clearance dimensions must be made from a non-combustible material such as marble or slate, although 'lightweight' and tiled surrounds can be used provided they have a minimum heat rating of 150°C.**

## 7. Gas Supply

The gas supply should be installed in accordance with all regulations in force. Consideration should be given to the routing to conceal from view and avoid potential damage. Pipes through walls should be sleeved. The gas connection is 8mm compression and should be made in semi-rigid tubing such as copper pipe. Before working on pipework plug open ends. A servicing isolator is supplied with the appliance and this should be used to permit disconnection for servicing etc.

All gas work should be undertaken by a competent person, see General Requirements.

## 8. Siting the Appliance

- 8.1 If the appliance is to be in or in front of an open fireplace, the chimney or flue **MUST** be blocked off to prevent the draw from disrupting the flame pattern of the fire, which can lead to poor combustion, or sooting. Extractor fans must be sited at least 2m from the appliance.
- 8.2 Check the room has sufficient volume and ventilation, if these requirements cannot be met then the appliance should not be installed. Consideration should be given to the requirements of other appliances working in the same room space. If other flueless appliances such as cookers are in the same room then consideration should be given to the combined room size requirement.
- 8.3 Check the room has a background heat source such as central heating radiators, storage heaters etc.
- 8.4 Check the appliance data plate details are correct for the kind of gas used and the country of installation.
- 8.5 Carry out any building works such as in-gle-nooks, hearths and recesses. If no hearth is being used, remove any carpets to required clearance. Lay in the gas supply and leave a tail to connect to.
- 8.6 Position the appliance and ensure it is stable and unlikely to move in normal use. Some hearths can be slippery and it is best to fix the appliance by removing the plugs in the plastic feet and screwing down. Care should be taken to ensure correct clearances around the stove.
- 8.7 **Before** connecting any pipes to the appliance, fully purge pipes of any debris or swarf etc.
- 8.8 Attach the gas connection to the stove and carry out a leak test in an approved manner.
- 8.9 Unclip the thermostat from the back of the stove and by carefully extending the capillary tube locate it in a place where it will sense room temperature. This is particularly important if the stove is fitted in an in-gle nook where the thermostat could give a misleading shut down unless it is relocated to a cool location. We recommend clipping to the rear of the appliance.

## 9. Laying the Logs

Opening the hinged door on the appliance, which is secured by a 10mm nut, gains access to the coals. On no account should the appliance be operated whilst the door is open except for brief periods during maintenance. Do not lay the log in any way other than that shown.

### LOG LAYOUT (NATURAL GAS)



The base and front logs are fixed in position and should only need removing for servicing. The base log locates onto the burner and the front log is pushed to the extreme left hand side. Take the 2 loose logs\* and position them as shown onto the cut outs on the base log, taking care to locate them correctly to ensure clean combustion. No additional logs should be added to the fire.

Note the pilot position on the right hand side of the burner.

### LOG LAYOUT (LPG PROPANE)

The base and front logs are fitted similar to the Natural Gas fire. The base log locates onto the burner and the front log is pushed to the extreme left hand side as shown. Take the 2 loose logs\* and position them as shown onto the cut outs on the base log, taking care to locate them correctly to ensure clean combustion. No additional logs should be added to the fire.

Note the pilot position on the right hand side of the burner.



**\*Note – The 2 top logs may be supplied glued in position and should not be removed or repositioned. If they become detached then they can be fitted as per the diagram but must on no account be discarded or fitted in any other way.**

**Always secure the door closed after laying the fuel effects.**

**Do not attempt to use any unit with broken or damaged glass.**

**Do not use the fire with broken logs.**

**Do not add any additional fuel elements to the fire.**

**Do not use similar looking parts from other appliances, use only genuine spare parts.**

**Do not use the appliance for burning waste.**

## 10. Commissioning the Appliance

**If the pipes have not been purged of debris do it before lighting the appliance. Failure to do so will result in blockages within the burner and pilot.**

**Burley Appliances is the only company to bench run and thoroughly test every single gas fire it produces. Burley is in the unique position of knowing that every appliance that leaves the factory is in perfect working order.**

The installer should measure the inlet pressure with the appliance running on high and ensure it is to specification.

Attach a manometer to the inlet test point and ensure there is a pressure of 20mb (+/- 1mb) for natural gas appliances or 37mB for propane appliances.

Now turn on every other gas appliance in the house and re-check the pressure. The pressure must still be within the tolerance of +/- 1mb.

Turn off all other gas appliances and turn the fire down to pilot only, the pressure must still be within the tolerance of +/- 1mb.

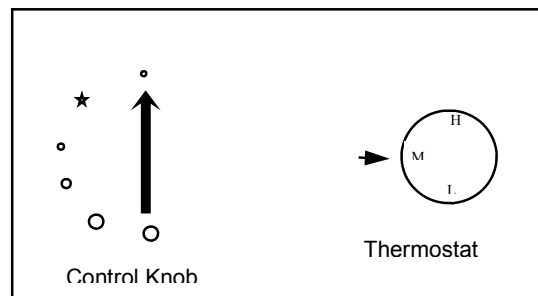
If it is not TRANSCO or BORD GAIS must be called to adjust the regulator to the house before the fire can be commissioned further.

Any large pressure fluctuation indicates pipework or governor problems and should be rectified. Instruct the customer on the operation of the appliance and leave all instructions with them.

The fires are factory set and no adjustments should be made in the field.

## **11. Lighting the Heater**

To light the fire, press the left hand (red) control knob for several seconds then turn anticlockwise to the ignition position. A click will be heard and the pilot (under right side of fuel bed) should light. If it does not light, repeat the operation a few times. Continue to hold knob for 15 – 20 sec's to establish the pilot and then release. If pilot fails to establish, turn off, wait 1 minute then repeat lighting procedure. Rotate the control knob to high flame to light then back to the desired flame position. If no gas comes through rotate the right knob (thermostat) to a hotter room setting and the fire will light. To turn the fire off, rotate knob fully clockwise.



## **12. Spark Failure**

The gap between the pilot electrode and the pilot should be 3.5 – 4.5mm and normally adjustment is not necessary. Check the fire lights at least 3 times out of 5 attempts. Visually check that the spark arcs across to the gas port on the pilot. The electrode is delicate but if necessary can be adjusted to set the spark. If the igniter fails a lighted taper can be inserted into the pilot area when attempting to light the pilot and this should help the fire to light.

## **13. Thermostat**

A room temperature thermostat is attached to the back of the fire. For accurate monitoring of room temperature it is advised that the sensing bulb is removed from its clip and carefully moved to a cooler location up to 1 metre away, taking care not to break or pinch the capillary tube. If the fire is fitted in an angle nook then the thermostat should be located in room air as leaving it under the fire will cause nuisance shut down.

## **14. Fireguards**

The glass front on the appliance acts as a dress guard but does not provide full protection. An additional guard should always be fitted in the presence of young children, the elderly or the infirm.

## 15. Oxygen Depletion Pilot System

There is a highly sensitive oxygen depletion sensor designed into the pilot light. If any part is damaged the entire unit **must** be replaced using only genuine spare parts as similar looking parts from other appliances may well give inferior performance. If the fire repeatedly trips off in operation the oxygen depletion system may be operating and a qualified engineer should investigate this.

## 16. Instructing the Customer

The installer should instruct the customer on the operation of the appliance and handover all instruction leaflets.

**The customer must be made aware of the need for regular servicing of the appliance, this will normally be once a year.**

The customer should also be made aware that no rubbish should be thrown into the firebed and that purpose provided ventilation should be checked regularly.

## 17. Servicing Instructions

**Before commencing any servicing, ensure that the gas is isolated and the appliance is cool.**

Cleaning – The casing should be wiped with a cloth dampened in soapy water. The glass may be cleaned with any non-abrasive cleaner such as ‘hob brite’.

The coals contain refractory fibre (RCF). Excessive exposure to these materials may cause temporary irritation to the eyes, skin and respiratory tract; consequently, it makes sense to take care when handling these parts to ensure that the release of dust is kept to a minimum. We recommend the use of a HEPA filtered vacuum to remove any dust and soot accumulated in the heater before and after working on it. When replacing these articles, they should not be broken up, but sealed in heavy duty polythene bags labelled ‘RCF Waste’, which may be disposed of at a tipping site licensed for industrial waste. Protective clothing is not required, but normal hygiene rules of no smoking, eating or drinking in the work area should be followed.

Controls – The system for monitoring the oxygen supply to the burner is not adjustable and must not be put out of operation. Should the oxy-pilot system need to be replaced, the original manufacturer’s parts must be used.

Injectors – Only **original** manufacturer’s injectors must be used.

The unit **must** be serviced at least once per year, preferably at the beginning of the heating season. All servicing must be carried out by a qualified service person. A combustion analysis check should be carried out using an analyser to BS7967 and sampling the entire width of the combustion product outlet. Ratio of CO/CO<sub>2</sub> should be less than 0.002 within 30 minutes. (20ppm CO per 1% CO<sub>2</sub>) A reading of CO in the room centre should give a rise of less than 9ppm over ambient, peak reading.

Light the fire using the method in the instructions and ensure that the pilot lights consistently and the pilot flame envelopes the thermocouple evenly, it is located at the front on the right-hand side.

The pilot should hold in 6-10 seconds. Turn control to main burner, this should light smoothly within 10 seconds. Ensure the valve gives adequate turn down and the thermostat bulb reduces the burner rate to off when heated.

Locate thermostat bulb in a cool place off the appliance and preferably outside of any inglenooks, to ensure it is sensing room air temperature.

Run the appliance for 10 minutes, ensuring burner flames settle evenly.

The gas manifold pressures are factory pre-set using highly accurate equipment, and **must** not be altered.

The catalyst is unlikely to need replacement during the life of the heater. The appliance should be inspected before use and at least annually by an authorised service person. More frequent cleaning may be required due to accumulation of lint and dust from carpeting etc.



It is imperative that the control compartments, burners and circulating air passageways of the appliance be kept clean. Replacement parts are available from your local dealer.

## **18. Accessories**

Using unapproved accessories could prove hazardous and **will** invalidate the warranty.

**BURLEY APPLIANCES ARE THE ONLY COMPANY TO BENCH RUN AND THOROUGHLY TEST EVERY SINGLE GAS FIRE IT PRODUCES. BURLEY ARE IN THE UNIQUE POSITION OF KNOWING THAT EVERY APPLIANCE LEAVES THE FACTORY IN PERFECT WORKING ORDER.**

**Due to our policy of continual improvement and development the exact accuracy of descriptions and illustrations cannot be guaranteed.**

*Due to our policy of continual improvement and development the exact accuracy of descriptions and illustrations can not be guaranteed.*

*Burley Appliances are the only company to bench run and thoroughly test every single Flueless gas fire it produces. Burley is in the unique position of knowing that every appliance leaves the factory in perfect working order.*

# User Instructions

## WARNINGS

1. Read the instructions before using this appliance.
2. This appliance requires installation and annual servicing by a CORGI registered installer.
3. Use only in a correctly sized and ventilated area.
4. Any purpose provided ventilation should be checked regularly to ensure it is free from obstruction.
5. Once the logs have been positioned in accordance with the installation instructions; they must not be moved except for servicing.
6. The surfaces of the appliance become very hot during use.
7. If necessary the casing should be wiped with a cloth dampened in soapy water. Do not attempt to touch or wipe the fire whilst it is hot, doing so could result in damage to the paint finish and severe burns. Do not use any chemical cleaning agents or abrasive cleaners to clean the paint work of the fire as this may result in damage not covered by the guarantee. If the paint becomes damaged or worn, special touch up paint is available from our service department on 01572 756956. Do not use any other type of paint.

## GENERAL REQUIREMENTS

1. The heater is intended as a secondary heat source. Check that a primary source of heat (such as radiators) is present in the room. If insufficient primary heat is being used there may be a build up of condensation.
2. The heater must not be used on or against a combustible surface. No furniture or curtains must be close to the appliance (or at risk of being blown close)
3. In the event of gas leakage, the gas supply must be turned off and advice sought.
4. The guard on the appliance is to prevent risk of fire or injury from burns and no part of it may be permanently removed. It does not give full protection for young children, the elderly or infirm. Parts of the appliance get hot,  
it is strongly recommended that an additional guard to BS6539 or BS6778 is used in the presence of children  
the elderly or infirm.
5. This is not a drying appliance. Do not place clothing or other articles, on or against it.
6. Do not store or use flammable substances on or near the heater.
7. Do not spray aerosols on or near the heater.
8. If any material, such as plastic, melts on the surface of the glass, turn the heater off and allow it cool. Do not remove the

material when hot. A propriety non-abrasive ceramic hob cleaner such as 'hob brite' can be used to clean the glass.

9. When the heater is not used for a time, ensure the gas control or adjacent isolator is turned off.

The heater is not to be used for a time, ensure the gas control or adjacent isolator is turned off.

10. The heater must not be used in rooms where the atmosphere is likely to contain water or chemical vapours, which may adversely affect the appliance or its finish.

11. Do not use whilst painting & decorating, or in newly decorated rooms as the residue can lead to unpleasant smells from the appliance. Always cover or have the appliance removed when decorating.

## CONTROLS

The fire is fitted with a gas valve and a thermostat. The thermostat automatically regulates the room temperature by turning the heat output (flames) up or down between high, half or pilot only. **. The thermostat bulb must be resited to a cool area to measure the air temperature in the room more accurately.** See installation instructions or consult the manufacturer.

## LIGHTING PROCEDURE

### *Make sure there is no smell of gas*

1. Open the lower cover to reveal the gas control.
2. There are 2 control knobs on the appliance. The left hand one (coloured red) controls On / Off and High / Low flame. The right hand one (coloured black) is the comfort level thermostat which turns the fire to pilot position once the desired temperature is reached. Some people prefer to retain a flame effect using the left hand knob to control its height whilst keeping the thermostat set on hot. Others prefer to use the fire purely as a heater in which case they will select a flame height then set the thermostat to a comfort level. In both cases if the room gets too hot, the thermostat will reduce the fire to pilot setting. If during use the pilot is alight but the main burner will not light, check the thermostat position and if necessary select a warmer setting.
3. To light the fire, press the left hand (red) control knob for several seconds then turn anticlockwise to the ignition position. A click will be heard and the pilot (under right side of fuel bed) should light. If it does not repeat the operation a few times. Continue to hold knob for 15 – 20 sec's to establish the pilot and then release. If pilot fails to establish, turn off, wait 1 minute then repeat the lighting procedure. Rotate the control knob to high flame to light then back to the desired flame position. If no gas comes through rotate the right knob (thermostat) to a hotter room setting and the fire will light.
4. Control the fire by a combination of thermostat and / or flame setting to suit your mode of use
5. To turn the fire off, rotate the left hand knob fully clockwise.

## NOTES

- 1 The first time that the appliance is used, there will be some odour produced due to the newness of the materials. It is recommended that the unit is fired at maximum setting for several hours and the room is kept ventilated during this period. It is usual for flueless appliances to produce an initial odour after start up.
- 2 When the pilot flame is alight, the unit may be controlled by turning the knob anywhere between 1 and 7. If the pilot flame should ever extinguish of its own accord, ventilate the room and allow a minimum of 5 minutes before relighting.
- 3 Never attempt to relight the unit if there is a gas smell.

- 4 If the unit continues to extinguish after a period of use, do not use it and seek the advice of your installer.
- 5 Make sure that your installer has filled out your extended guarantee card and shown you how the fire operates.

### **Cleaning the fuel effects**

The fuels can be accessed by opening the hinged door on the appliance which is secured by a 10mm nut. On no account should the appliance be operated whilst the door is open.

Do not lay the logs in any way other than that shown in the Installation and Servicing Instructions.

**Do not use the fire with broken logs.**

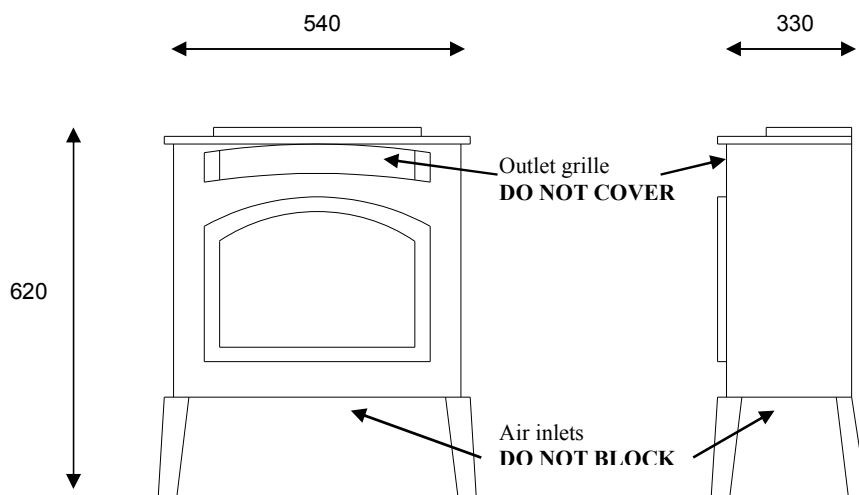
**Do not add any additional fuel elements to the fire.**

**Do not use similar looking parts from other appliances, use only genuine spare parts.**

**Do not use the appliance for burning waste.**

**The fire must not be run with the door open or with cracked, incorrectly fitted or missing glass.**

**On no account must air inlets under the stove or outlet grills (see diagram) be obstructed.**



### **TURN OFF PROCEDURE**

To extinguish the pilot, turn the valve to the OFF position. Note that if the gas supply fails at any time, the pilot will extinguish. Leave for one minute then carry out the lighting procedure to re-ignite.

### **GENERAL**

1. To qualify for your free second year guarantee, you must fully complete and return the separate Guarantee Card. There are sections that your fitter must complete whilst he is fitting the fire. If the fully completed Guarantee Card is not returned within 7 days of fitting, the appliance is just covered by the standard 12 month guarantee.
2. As with all gas appliances, this fire **MUST** be serviced at least every 12 months, preferably at the start of the heating season. The second year guarantee is conditional on this service taking place. Servicing must be carried out by a qualified service engineer.

**BURLEY APPLIANCES ARE THE ONLY COMPANY TO BENCH RUN AND THOROUGHLY TEST EVERY SINGLE GAS FIRE IT PRODUCES. BURLEY ARE IN THE UNIQUE POSITION OF KNOWING THAT EVERY APPLIANCE LEAVES THE FACTORY IN PERFECT WORKING ORDER.**