

# HINTON CAST IRON ELECTRIC STOVE

## INSTALLATION & USER INSTRUCTIONS



  
BRITISH  
FIRES

## // INSTALLATION & USER INSTRUCTIONS

| Section | Contents                                  | Page  |
|---------|---|-------|
| 1.0     | Important Notes                           | 02    |
| 2.0     | Installation Requirements                 | 03    |
| 3.0     | Appliance Data                            | 04    |
| 4.0     | Unpacking the Stove                       | 05    |
| 5.0     | Component Checklist                       | 05    |
| 6.0     | Site Requirements                         | 05    |
| 7.0     | Clearance to Combustibles                 | 06    |
| 8.0     | Installing the Deluxe Fuel bed            | 07-08 |
| 9.0     | Installing the Appliance                  | 09    |
| 10.0    | Pairing the Appliance                     | 09    |
| 11.0    | Operating the Appliance                   | 09-13 |
| 12.0    | Safety Cutout System                      | 14    |
| 13.0    | Cleaning and Maintenance                  | 14    |
| 14.0    | Troubleshooting Guide                     | 15    |
| 15.0    | Spares                                    | 15    |
| 16.0    | Servicing                                 | 16    |
| 17.0    | Dimensions                                | 17    |
| 18.0    | Three Year Guarantee Terms and Conditions | 18    |

## // 1.0 IMPORTANT NOTES

IMPORTANT – THESE INSTRUCTIONS SHOULD BE READ CAREFULLY AND RETAINED FOR FUTURE REFERENCE.

When using this electrical appliance, basic precautions should be followed to reduce the risk of fire, electric shock and injury to person, including the following:

This heater must be used on an AC supply only and the voltage marked on the heater's rating label must correspond to the supply voltage.

DO NOT switch the appliance on until it is properly installed as described in this manual.

This appliance can be used by children aged from 8 years and above and persons with reduced physical, sensory or mental capabilities or lack of experience and knowledge if they have been given supervision or instruction concerning use of the appliance in a safe way and understand the hazards involved. Children shall not play with the appliance. Cleaning and user maintenance shall not be made by children without supervision.

Children of less than three years should be kept away unless continuously supervised. Children aged from three years and less than eight years shall only switch on/off the appliance provided that it has been placed or installed in its intended normal operating position and they have been given supervision or instruction concerning use of the appliance in a safe way and understand the hazards involved.

Children aged from three years and less than eight years shall not plug in, regulate and clean the appliance or perform user maintenance.

**CAUTION:** Some parts of this product can become very hot and cause burns. Particular attention has to be given where children and vulnerable people are present.


If the supply cord is damaged, it must be replaced by the manufacturer, its service agent or similarly qualified persons in order to avoid a hazard.

The heater must not be located immediately below a socket-outlet.

DO NOT use this heater in the immediate surroundings of a bath, a shower or a swimming pool.

**WARNING:** This heater is not equipped with a device to control the room temperature. Do not use this heater in small rooms when they are occupied by persons not capable of leaving the

room on their own, unless constant supervision is provided.

 **WARNING:** In order to avoid overheating, do not cover the heater.

DO NOT use this heater with a programmer, timer, separate remote-control system or any other device that switches the heater on automatically, since a fire risk exists if the heater is covered or positioned incorrectly.


**CAUTION:** In order to avoid a hazard due to inadvertent resetting of the thermal cutout, this appliance must not be supplied through an external switching device, such as a timer, or connected to a circuit that is regularly switched on and off by the utility.

Keep furniture, curtains and other fabric material away from the appliance.

DO NOT leave the appliance unattended during use.

From time to time, check the cord for damage. Never use the appliance if the cord or any part of the appliance shows signs of damage.

DO NOT run the mains cable under carpets, rugs etc.

 DO NOT cover or obstruct the heater in any way. Overheating will result if it is accidentally covered.

Never immerse the product in water or any other liquids.

DO NOT use the appliance outdoors.

Before cleaning the appliance, ensure it is unplugged from the power and that it is completely cool.

DO NOT clean the appliance with abrasive chemicals.

Never use accessories that are not recommended or supplied by the manufacturer. It could cause danger to the user or damage to the appliance.

DO NOT insert or allow foreign objects to enter the inlet or outlet vents as this may result in electric shock, fire or damage to the appliance.

DO NOT install the fire using an extension cord.

Unplug from the mains supply if the appliance is not to be used for long periods.

This product is only suitable for well insulated spaces or occasional use.

## // 2.0 INSTALLATION REQUIREMENTS

The appliance is supplied with a pre-wired three pin BS1363 plug (13 Amp fuse rated) and 2.1 metres of electrical flex. It is therefore necessary for a suitable electrical socket to be located within this distance of the appliance and be easily accessible. The stove may be installed on a combustible or non-combustible floor, however the heater outlet is underneath the stove and certain types of floor covering may be affected by the heat produced by the stove. The ability of the floor covering to withstand the heat produced by the stove should be ascertained before proceeding with the installation of the stove. If in doubt then the stove

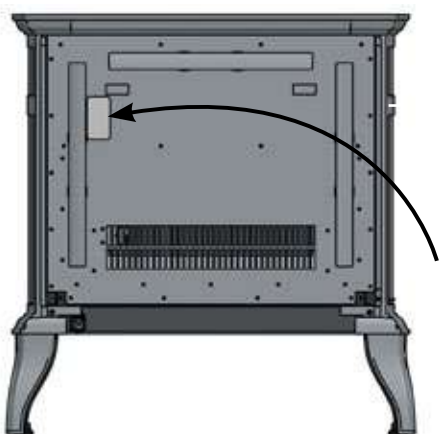
should be mounted on a non-combustible hearth or plinth which extends for at least 150mm in front of the stove. This appliance should be positioned on a firm level surface. If the stove is to be sited in a fire surround then the suitability of the surround for use with electrical heaters should be established with the fire surround manufacturer. If fitted into an open draught fireplace, it is advisable to block off the chimney to reduce the risk of draught through the stove which may cause the safety cut out system in the fan heater to operate.

## // 3.0 APPLIANCE DATA

|                                 |                              |
|---------------------------------|------------------------------|
| Weight (kg)                     | 56kg                         |
| Dimensions                      | H 951 x W 420 x D 420mm      |
| Supply Voltage and Rating Power | 220-240V AC, 50Hz 1260-1500W |
| Fuse Rating                     | 13 Amp                       |
| Heating Elements                | 1500W                        |
| Lighting                        | LED                          |
| Location                        | Indoor use only              |
| Supply plug/cord                | BS1363 / 2.1 metres long     |

| Item                                     | Symbol              | Value | Unit | Item   | Unit | Item  | Unit |
|--|---------------------|-------|------|--|------|---|------|
| <b>Heat Output</b>                       |                     |       |      | <b>Types of heat input, for electric storage local space heaters only</b>    |      | <b>Other control options</b>                        |      |
| Nominal heat output                      | P <sub>nom</sub>    | 1.5   | KW   | Manual heat charge control with integrated thermostat                        | N/A  | Room temperature control with presence detection    | No   |
| Minimum heat output (indicative)         | P <sub>min</sub>    | 0.75  | KW   | Manual heat charge control with room and/or outdoor temperature feedback     | N/A  | Room temperature control with open window detection | Yes  |
| Maximum continuous heat output           | P <sub>max, c</sub> | 1.5   | KW   | Electronic heat charge control with room and/or outdoor temperature feedback | N/A  | With distance control option                        | No   |
|  |                     |       |      | Fan assisted heat output   | N/A  | With adaptive start control                         | No   |
| <b>Auxiliary electricity consumption</b> |                     |       |      | <b>Type of heat output/room temperature control</b>                          |      | With working time limitation                        |      |
| At nominal heat output                   | e <sub>lmax</sub>   | 0.0   | KW   | Single stage heat output and no room temperature control                     | No   | With black bulb sensor                              | No   |
| At minimum heat output                   | e <sub>lmin</sub>   | 0.0   | KW   | Two or more manual stages no temperature control                             | No   |   |      |
| In standby mode                          | e <sub>lSB</sub>    | 0.45  | KW   | With mechanical thermostat room temperature control                          | Yes  |   |      |
|  |                     |       |      | With electronic room temperature control                                     | No   |   |      |
|  |                     |       |      | Electronic room temperature control plus day timer                           | Yes  |   |      |
|  |                     |       |      | Electronic room temperature control plus week timer                          | Yes  |   |      |

This fire is fitted with Light Emitting Diode's (LEDs) in place of conventional bulbs. LEDs generate the same light levels as conventional bulbs, but use a fraction of the energy consumed.



The data label, including the model and serial number, can be found on the rear of the appliance.

## // 4.0 UNPACKING THE STOVE

Read all the instructions before continuing to unpack or install this stove. Carefully lift the stove from the carton. Check that the contents correlate with the component checklist below. Please dispose of all packaging with care at your local recycling centre.

## // 5.0 COMPONENT CHECKLIST

| Quantity | Description               |
|----------|---------------------------|
| 1        | Stove and heater assembly |
| 1        | User instruction booklet  |
| 1        | Remote control handset    |
| 2        | AA batteries              |
| 2        | Levelling feet            |
| 1        | Deluxe log set            |

## // 6.0 SITE REQUIREMENTS

It should be noted that the appliance creates warm convected air currents. These currents move heat from the room surroundings to, and up the wall surfaces adjacent to the heater.

Installing the heater next to these types of wall coverings or operating the heater where impurities in the air, (such as tobacco smoke) exist, may slightly discolor wall finishing.

If the appliance is to be secure on a dry lined or timber framed construction then the integrity and ability of the wall to secure the appliance must be confirmed. It is important in these circumstances that any vapor barrier and/or structural members of the house frame are not damaged.

If you are unsure of the ability of the wall to secure the appliance and/or which type of wall fixing to use, you should take professional advice and obtain the correct fixings. Alternatively, find a more suitable wall location.

**DO NOT** recess any part of the appliance into the wall, or run the supply cable under carpets.

**DO NOT** site in a position where curtains or drapes could cover the appliance, or other soft materials could cover e.g. below a coat rack.

**DO NOT** site behind an opening door where mechanical impact/damage could occur.

**DO NOT** site where the supply cable would become a trip hazard.

**DO NOT** sit, stand or forcefully pull on the appliance.

**DO NOT** obstruct, cover or force items into the openings. **DO NOT** use the heater to dry clothes.

**DO NOT** site/use in an outdoor location(s).

It is important that the following clearances are maintained from the appliance to combustible materials. These clearances are dependent on the securing location as defined on the following pages.

## // 7.0 CLEARANCES TO COMBUSTIBLES

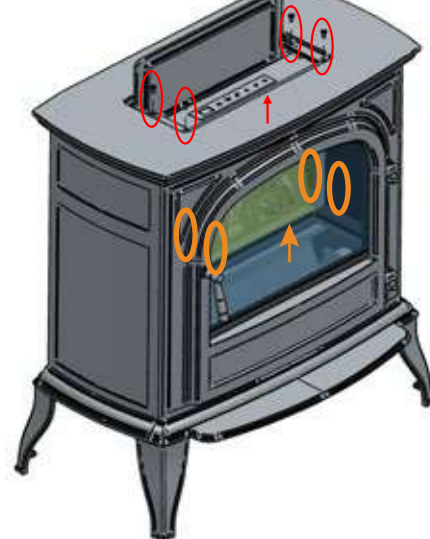
The minimum distance to the front of the appliance is three feet (900 mm). There are no clearances for above apart from being clear of curtains and drapes.



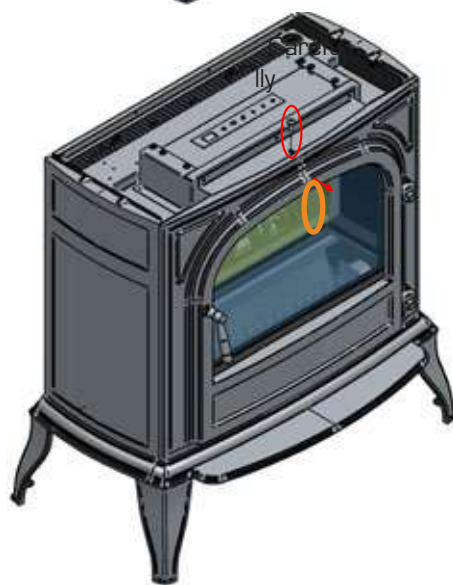
# HOW TO INSTALLING THE DELUXE LOGS

WARNING: DO NOT CONNECT THE APPLIANCE TO THE ELECTRICAL SUPPLY AT THIS TIME

Push down on the rear of the grill to lift the front edge of the grill up.



With a cross headed screw driver remove the 4x M5 screws underneath the top grill.



Next, unscrew the 1xM6 screw holding the front casting into position. Remove the front casting and place safely to one side.

Remove the 4x firebox screws holding the glass retaining bracket into position.

Ensure the glass is supported at all times! We strongly recommend protective gloves are used when handling glass.



Carefully lift the glass up and out of the appliance and place safely on a soft, flat surface.





**CAUTION: DO NOT CONNECT THE APPLIANCE TO THE ELECTRICAL SUPPLY AT THIS TIME**

7) Insert the deluxe fuel bed in through front of the stove at a 45° angle, then place flat inside the stove.



**Ensure the glass is supported at all times! We strongly recommend protective gloves are used when handling glass.**

8) When secure, re install the glass back into the appliance.



8) Then, re-install the glass back into the appliance.

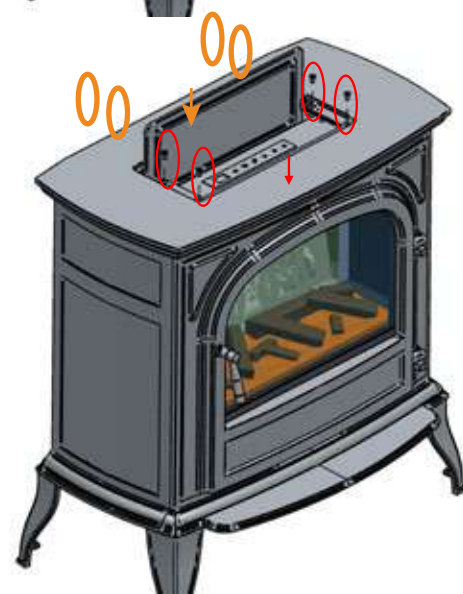
9) Screw the 4x firebox screws back into place, securing the glass and the retaining to the appliance.



10) Screw the 1x M6 screw back into the top of the front casting.



11) Screw the 4x M5 screws back into the position. Securing all the castings together.



## // 9.0 INSTALLING THE APPLIANCE

**CAUTION: DO NOT CONNECT THE APPLIANCE TO THE ELECTRICAL SUPPLY AT THIS TIME**

Situate the LED stove in the desired location. If the surface is uneven, fit two levelling feet behind the two front cast legs. Unscrew in an anti clockwise orientation to extend the feet and clockwise to contract the front legs. The fire's levelness can be checked by using a spirit level.

Before finally fitting the appliance into its location, ensure that the mains cable and plug are properly routed.



## // 10.0 PAIRING THE REMOTE CONTROL

The ON/OFF button is located underneath the grill on the top of the appliance. To access the button push down on the rear of the grill to lift the front edge of the grill up. Then press the O/I button once to turn the fire on.

Within 1 minute of turning the power on by the main ON/OFF switch (located on the front, top right hand side of the appliance), press and hold and the 🔥 and 🔌 buttons on the remote control for 3 seconds, to remotely pair to the appliance, the LCD only displays bL (displayed at the display temperature position) and flashes for 5 seconds, then returns to the current display state. The remote is then paired to the appliance.



## // 11.0 OPERATING THE APPLIANCE

The control panel is located underneath the grill on the top of the appliance. To access the control panel, push down on the rear of the grill to lift the front edge of the grill up.



# // 11.0 OPERATING THE APPLIANCE

CONTINUED

## REMOTE CONTROL

The button distribution of the remote controller is as shown below, and the current state information of the electric fireplace, such as the flame effect, fuel bed, setting, temperature and time set, is displayed on the LCD screen on the remote control.

### 1) Standby

Turns the appliance ON/OFF standby, the default settings are: heater set to 82°F/27°C, the main flame effect is F1, the Fuel bed is L1 [no temperature display].

### 2) Flame Control

Changes the flame effect brightness F1, F2, F3, F4, F1 [cycle adjustment]

### 3) Heater

Heater button switches to the temperature adjustment option when the weekly timing function is adjusted. Then use the ⊕ and ⊖ buttons to select the desired temperature. The temperature cannot be adjusted while the daily timer control is in use. Only the heating function can be switched.

#### Temperature Setting range:

Centigrade: 17°C, 18°C, 19°C, 20°C, 21°C, 22°C, 23°C, 24°C, 25°C, 26°C, 27°C, ON, 17°C (Cycle)  
Fahrenheit: 62°F, 63°F, 64°F, 65°F, 66°F, 67°F, 68°F, 69°F, 70°F, 71°F, 72°F, 73°F, 74°F, 75°F, 76°F, 77°F, 78°F, 79°F, 80°F, 81°F, 82°F, ON, 62°F (Cycle)

\*Press and hold the heater button for 3 seconds can transfer from °C to °F.

### 4) Fuel Bed

Changes the colour of the fuel bed. L1, L2, L3, L4, L1 [cycle adjustment]

### 5) Sleep Timer

Adjusts the timer: 1H, 2H, 3H, 4H, 5H, 6H, 7H, 8H, 9H, OF, 1H [cycle]

### 6) Down Light

Turns the down lighting ON/OFF, (the down light symbol will be lit when it is turned on).

### 7) Time and Week Settings

Press to enter the time and week timer settings.



### 8) Lower temperature 1°C or F°

Press this button to lower the temperature by -1°, incrementally, while the heating is turned on.

### 9) Raise Temperature 1°C

Press this button to raise the temperature by +1°C, incrementally, while the heating 1°C is turned on.

### 10) Date Set

To choose from Monday to Sunday or week timer mode option. Option mode: 1-2-3-4-5-6-7-A-oF.

### 11) Rear Lights

Changes the colour of the rear LEDs. B1, B2, B3, B4, B5, B6, B7, B8, B9 [cycle adjustment]

# // 11.0 OPERATING THE APPLIANCE

CONTINUED

## Standby Button:

Turns the appliance ON/OFF standby, the default settings are: heater set to 27°C, the main flame effect is F1, the Fuel bed is L1 (no temperature display).

## Changing Flame Effect:

In the power-on state, press this button, the digital screen displays the flame position and the flame indicator is bright, and the main flame position can be adjusted. The flame brightness settings are: F1, F2, F3, F4, **Set as follows:**

| Button    | Display | Flame Effect           |
|-----------|---------|------------------------|
| 1st Press | F1      | Full                   |
| 2nd Press | F2      | Medium                 |
| 3rd Press | F3      | Low                    |
| 4th Press | F4      | Cycle through settings |

## Heating Operations:

**1)** Press the heater button to turn the heating function on and off and adjust the temperature setting. Heater is divided into temperature settings: 17°C, 18°C, 19°C, 20°C, 21°C, 22°C, 23°C, 24°C, 25°C, 26°C, 27°C, ON, 17°C (Cycle)

**2)** Press and hold the heater button for 3 seconds to convert the temperature unit from °C to °F. The temperature display window will flash. After the temperature is set, the display unit will flash 5 times, then automatically save the settings and exit the setting state. After the display unit is turned on, if there is no operation within 10 seconds, the setting status is also exited.

**3) Fan delay function:** After the appliance is turned off, the fan will continue running for 15 seconds then stop.

### Open Window Detection function:

When the appliance is heating and the ambient temperature suddenly drops  $\geq 5^{\circ}\text{C}$  within 10 minutes, and the environment cannot be warmed up within 30 minutes the appliance will automatically display "OP". The heating function will then be automatically turned off, and when the "OP" is displayed, it can be turned off and then restarted by turning off and on the appliance to clear the fault code.

**4)** This appliance has a non-self-resetting overheat protection device (thermal cut-out) which will activate if the air inlets or outlets are obstructed. For safety reasons the fire will NOT switch on again automatically, the following procedure must be carried out before the fire can be operated.

**NOTE:** The flame-effect will remain operational if the cut-out is activated, only the fan heater is prevented from working.

Switch OFF the appliance at the wall socket or outlet. Leave the fire OFF for a period of no less than 10 minutes, ensuring all obstructions are removed. Switch the appliance ON at the wall. Ensure the appliance is turned ON at the control switches. If the fire fails to operate correctly, repeat the above procedure.

Refer to section 13.0 for more information about the Safety Cut-Out System.

# // 11.0 OPERATING THE APPLIANCE

CONTINUED

## Fuel Bed Color Options:

Once powered, press the “Fuel Bed” button and the LCD screen on the remote will display the fuel bed icon. Now, the fuel bed color can be adjusted. The different settings are: L1, L2, L3, L4; Fuel bed light. **Set as follows:**

| BUTTON    | DISPLAY | FLAME-EFFECT           |
|-----------|---------|------------------------|
| 1st Press | L1      | Orange                 |
| 2nd Press | L2      | Red                    |
| 3rd Press | L3      | Orange & Red           |
| 4rd Press | L4      | Cycle through settings |

## Setting Sleep Timer:

In the timed display, press the “Sleep Timer” button to adjust the time, plus one hour for each press. (You can’t enter the weekly timing selection, you can only set the current automatic shutdown time. This function is available when the weekly timing function is turned on. Will not operate). Timing range: 1H, 2H, 3H, 4H, 5H, 6H, 7H, 8H, 9H, 0F, 1H (cycle adjustment).

## Control Down Lighting:

Turns the down lighting lights on and off.

## Control Rear Lighting:



| BUTTON    | DISPLAY | REAR LIGHTING EFFECT        |
|-----------|---------|-----------------------------|
| 1st Press | B1      | Blue                        |
| 2nd Press | B2      | Orange                      |
| 3rd Press | B3      | Purple                      |
| 4rd Press | B4      | Cycle through settings      |
| 5th Press | B5      | Off                         |
| 6th Press | B6      | Blue pulsing                |
| 7th Press | B7      | Orange pulsing              |
| 8th Press | B8      | Cycle through pulsing       |
| 9th Press | B9      | Quick cycle through pulsing |



## Setting Clock and Timer:

Use the date button to choose from Monday to Sunday or week timer mode option. Option mode: 1-2-3-4-5-6-7-A-oF.

### Clock setting:




**1)** At standby state (after the unit is plugged in and before pressing “main power”), press and hold the Setting button on the remote for 3 seconds, the digital display will then flash “00:00”.

**2)** Press  on the remote control to set the hour, press the remote control  to set the minutes.


**3)** Press “Setting” to enter the setting of the week timer. Press  to select Sunday to Saturday, The date symbol will light up after the day is selected. When finished, press the  button to exit setting.





**NOTE:** The current clock must be set after the initial power-on or power-off, otherwise the clock will remain “00:00” status and you won’t be able to set the week timer function.

### Heat settings:

Use the remote control’s Heater button  to select the temperature. The system default parameters are: 27°C. Press  &  buttons to select the temperature when the heating is turned on. Temperature range: 17° - 27°C; ON; 17°C; (Cycle).

### Timing switch ON/OFF preset:




**1** While in the standby state, press the sleep timer  button on the remote for three seconds to pre set timing switch on/off the week timer.


Enter mode 1, while the display is “1 ON”, the clock will be “01:00”, press  to set hour, press  to set minute, press  to set the week, every press on the  will






## // 11.0 OPERATING THE APPLIANCE




CONTINUED


show SU, MO, TU, WE, TH, FR, SA and flash in turn, you can use the  key to select or de-select the desired date. The  indicates all of the selected days. Press the “Heater”  button to enter the temperature setting, then press

the  &  button to set temperature.


2) Press “Setting”  again to set the timer switch off, the display is 1 OFF, the clock is displayed as “02:00”, press  to set hour, press  to set minute, the date of the timer off is the same as the timer on, you can't change this




manually. After setting, press  to enter the setting of mode 2, which operates the same as mode 1. You can set mode 1 to mode 7 with the above method. Press  or  on the remote for 3 seconds to save setting and exit week timer setting.

3) After the preset timing ON/OFF switch, you can use the clock/timer  button to select the desired timing mode 1 - 2 - 3 - 4 - 5 - 6 - 7 - auto option, after the option shows five seconds without any operation, it will save the selected option and enter the current setting of the option, the timer logo of the display lighten and will automatically run the preset switch setting program. You can individually select each setting of modes 1 - 7 for automatic ON/OFF switching, or you can preset the desired settings, and then select “auto mode” for multiple preset series executions.

4) If you want to set the ON/OFF switch and temperature setting for different periods of the week, then set the switching time and temperature of each day from Sunday to Monday in mode 1 - 7.

After setting, use the “auto mode” to run timing switch and then the system will run the week timer of 1-7 modes. You can also set 1-7 modes within 1 day, use the “auto mode” to run timing switch ON/OFF within one day. Be aware that when you use  “auto mode”, you need to make sure the settings of times does not overlap each other, otherwise the timer will not operate.

5) After entering the week timer setting, press the  button for 3 seconds to exit the week timer mode, then the timer symbol will be extinguished. You can check the 1-7 timer settings by pressing the “Setting”  button. For example: press  to display [1 ON “01:00” temperature 27°C], press  again to display [1 OFF “02:00” temperature 27°C]. Press the “Setting” button again to display [2 On “03:00” temperature 26°C] then press the Setting button to display [2 OFF “13:00” temperature 27°C]. The wireless remote control and the appliance must be kept within 4 meters to prevent the remote control and the appliance from failing due to the distance exceeding the effective remote control range when working at the weekly timing. After the weekly time is turned on, the remote controller automatically controls the appliance at the set appointment time.

## // 12.0 SAFETY CUTOUT SYSTEM

This product has one non-self-resetting overheat protection device (thermal cut-out) which will activate if the air inlets or outlets are obstructed. For safety reasons the fire will NOT switch on again automatically, the following procedure must be carried out before the fire can be operated.

**NOTE:** The visual effect will remain operational if the cutout is activated, only the fan heater is prevented from working.

Switch OFF the appliance at the wall socket or outlet. Leave the fire OFF for a period of no less than 10 minutes, ensuring all obstructions are removed. Switch the appliance ON at the wall. Ensure the appliance is turned ON at the control switches. If the fire fails to operate correctly, repeat the above procedure. If an attempt to switch on the appliance is made before the safety cutout has reset, the appliance may cutout for a further period of time. If the sequence has been followed correctly and the appliance still fails to function, check the fuse in the wall outlet. If this is not the cause, call an electrician or maintenance engineer.

## // 13.0 CLEANING AND MAINTENANCE

**Always disconnect the stove from the mains supply before undertaking any maintenance.**

For general cleaning use a soft clean duster – never use harsh abrasives or cleaners. The glass viewing screen should be cleaned carefully with a soft cloth.

If in doubt consult a qualified electrician. Refer to Section 3.0 Appliance Data for fuse specification. Excluding fuses, use only genuine manufacturers spare parts available from your supplier.

### // REPLACING THE REMOTE CONTROL BATTERY:

When the battery becomes weak, the range of the remote control becomes shorter. Replace with two (2) new AAA batteries.

1. Slide open the battery cover on the back of the remote control.
2. Insert two new AAA batteries into the remote control.
3. Place the battery cover back onto the remote.

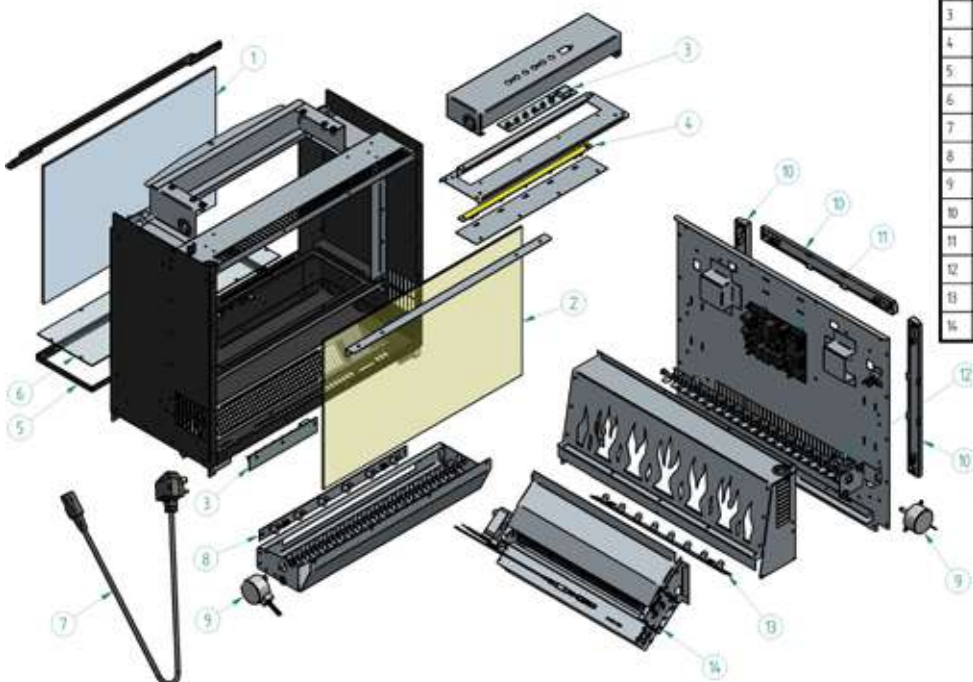
**NOTE:** Keep the batteries out of the reach of children.

## // 14.0 TROUBLESHOOTING GUIDE

| My Electric Stive Fire...        | Remedy  |
|----------------------------------|---|
| is not switching on              | Ensure mains switch is on. Replace the fuse in the plug.  |
| is not emitting any heat         | The fire is fitted with an energy saving thermostat. If the temperature in the room is higher than the temperature selected on the fire, then the thermostat will stop the heater from turning on. For example, if the room temperature is 22°C or above and the fires heater is set at 22°C, then the heater will not be required until the room temperature drops below 22°C. If this is the case select a higher temperature setting than the room's temperature and the heater will begin to operate. The safety cut-out may have been operated. Switch the appliance off, leave for two minutes then switch back on. |
| shuts off after a period of time | <p>Check that the temperature is not set onto the lower settings. If the room is warm enough the thermostat will stop the fire switching the heat on.</p> <p>Check that the chimney/flue is blocked off.</p> <p>Check that the window detection sensor has not activated.</p>   |

## // 15.0 SPARE PARTS

Refer to Section 3.0 Appliance Data for lamp and fuse specification. Excluding lamps and fuses, use only genuine manufacturers spare parts available from your supplier.



| HINTON LED ELECTRIC STOVE - RECOMMENDED SPARES |             |                       |     |
|--|-------------|-----------------------|-----|
| KEY  | PART NUMBER | DESCRIPTION           | QTY |
| 1  | F960373     | FRONT GLASS PANEL     | 1   |
| 2  | F960374     | REAR GLASS PANEL      | 1   |
| 3  | F960375     | OPERATING BUTTON PCB  | 2   |
| 4  | F960376     | DOWNLIGHTING LED      | 1   |
| 5  | F960377     | FUELBED TRAY          | 1   |
| 6  | F960378     | FROSTED FUELBED       | 1   |
| 7  | F960379     | IEC MAINS CABLE       | 1   |
| 8  | F960380     | FUELBED LED           | 1   |
| 9  | F960381     | ROTISSERIE MOTOR      | 2   |
| 10   | F960382     | FROSTED REAR LED ASSY | 3   |
| 11   | F960383     | MAIN PCB              | 1   |
| 12   | F960384     | NTC THERMOSTAT        | 1   |
| 13   | F960385     | FLAME EFFECT LED      | 1   |
| 14   | F960386     | FAN & HEATER ASSY     | 1   |

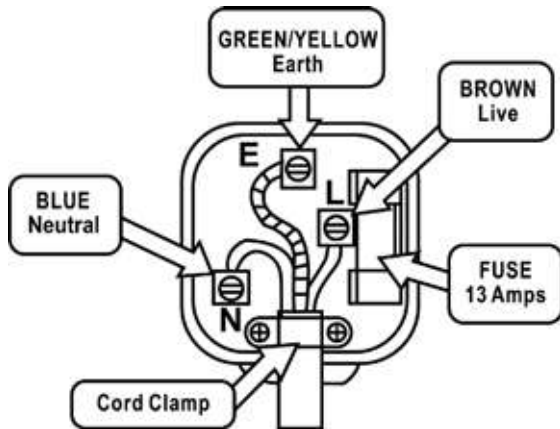


## // 16.0 SERVICING

This appliance is supplied with a BS1363 3-pin plug fitted with a 13 Amp fuse. Should the fuse require replacing, it must be replaced with a fuse rated at 13 Amp and approved to BS1362. In the event of the mains plug being removed/replaced for any reason, please note :

**The wires in the mains lead are coloured in accordance with the following code:**

|              |         |
|--------------|---------|
| Blue         | Neutral |
| Brown        | Live    |
| Green/Yellow | Earth   |



As the colours of the wires in the mains lead of this appliance may not correspond with the colour markings identifying the terminals in your plug, proceed as follows.

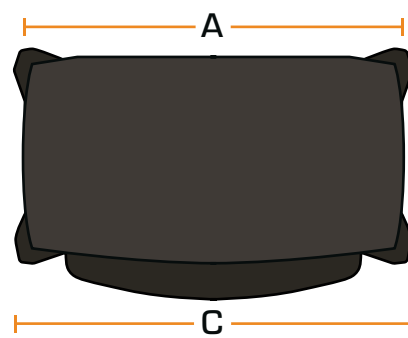
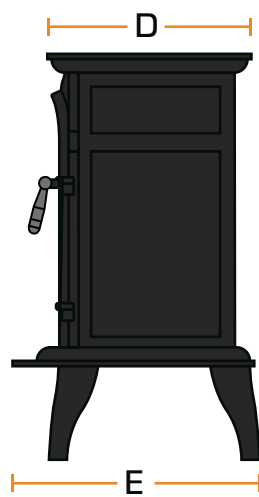
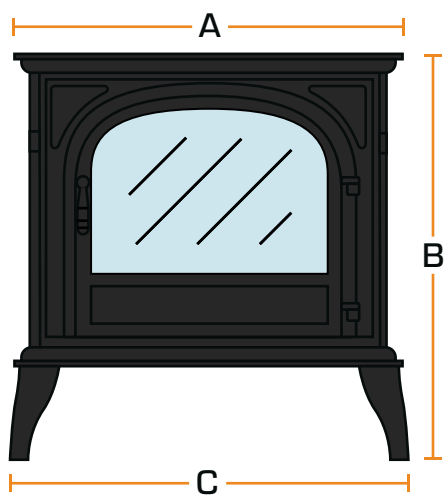
The blue wire must be connected to the terminal marked with an N or coloured black. The brown wire must be connected to the terminal marked with an L or coloured red. The green/yellow wire must be connected to the earth terminal which is marked with an E or with the earth symbol.

**NOTE:** If a moulded plug is fitted and has to be removed take great care in disposing of the plug and severed cable, it must be destroyed to prevent engaging into a socket. Refer to Section 3.0, Appliance Data for fuse specification. Excluding fuses, use only genuine manufacturers spare parts available from your supplier. *There are no internal user serviceable parts.*

### // WARNING:

Never connect live or neutral wires to the earth terminal of the plug.

## // 17.0 HINTON DIMENSIONS



|   |          |
|---|----------|
| A | 595.0 mm |
| B | 628.0 mm |
| C | 613.0 mm |
| D | 314.0 mm |
| E | 371.5 mm |

# // 18.0 THREE YEAR GUARANTEE – TERMS AND CONDITIONS

## 3-YEAR GUARANTEE TERMS AND CONDITIONS

At British Fires we pride ourselves on quality and performance, so much so that each British Fires electric product is applicable for a 3-year guarantee when purchased from an authorised dealer. We offer a standard 1-year guarantee on every electric product, but to ensure your product is covered for a further 2 years, free registration is required on our website [www.britishfires.com/guarantee](http://www.britishfires.com/guarantee). Full warranty terms and conditions are available to view at [www.britishfires.com](http://www.britishfires.com).

All appliances must be installed in a correctly ventilated space in accordance with the manufacturer's installation instructions and the rules in force. This brochure is for guidance only and is not intended to replace the installation manual, which provides more detailed information. All of our fires carry CE Approval. April 2019. British Fires™

- 1) For any claim to be made within the 3 years from date of purchase you will be required to provide and supply your original proof of purchase.
- 2) All appliances must have been installed and operated in accordance with the manufacturer's instructions.
- 3) Purchase(s) must be made through an authorised stockist/retailer.

Please note all consumable items such as any ceramics including; coals, pebbles, logs, bark, crystals, rear panels are not covered by the 3-year guarantee.

During the guarantee period any product or component which is proved to be faulty or defective

in manufacture, will be repaired or replaced free of material and labour charges, providing that we have authorised or carried out the repair or replacement.

We will not accept or reimburse the costs of any third-party who undertakes any work carried on the product or fits parts, unless we have approved such work in advance of it being carried out.

The guarantee period will not be extended even if we repair or replace any product or part.

### MAKING A CLAIM:

If you wish to make a claim under our guarantee and all the terms and conditions for your product have been met then please submit the following information for the attention of the Service Department to the address below.

Alternatively, you can email or fax. British Fires, Service Department, Reid Street, Christchurch, Dorset, BH23 2BT.

**EMAIL:** [Guarantee@britishfires.co.uk](mailto:Guarantee@britishfires.co.uk)

**FAX:** 01202 588639.

### Details required:

- 1) Name, full address including postal code and contact telephone number.
- 2) A copy of your proof of purchase (e.g. receipt or bank statement). Please note that this does not affect your statutory rights.



Waste electrical products should not be disposed of with household waste. Please recycle where facilities exist. Check with your local authority or retailer for recycling advice.

As our policy is one of continuous improvement and development, we therefore, hope that you will understand we must retain the right to amend details and/or specifications without prior notice.



This product complies with conformity requirements of the applicable UK Regulations.



This product complies with conformity requirements of the applicable European Regulations or Directives.



This product complies with conformity requirements of the applicable European Regulations or Directives.



This product is only suitable for well insulated spaces or occasional use. Please note: Except where otherwise stated, all rights, including copyright in the text, images and layout of this booklet is owned by British Fires. You are not permitted to copy or adapt any of the content without the prior written permission of British Fires. © 2023 British Fires

Models covered  
by these instructions:  
Hinton LED Electric  
Stove SK5353

All instructions must be  
handed to the user for  
safekeeping.  
Revision A - 12/23

British Fires  
Unit 10 Avon Trading Park  
Christchurch, Dorset  
BH23 2BT,  
United Kingdom

RBK House  
Irishtown, Athlone  
Co. Westmeath  
N37 XP52, Ireland

T: 0808 169 9911  
W: [britishfires.com](http://britishfires.com)  
E: [sales@britishfires.com](mailto:sales@britishfires.com)