



Riva2 670 Electric



Instructions for Use, Installation & Servicing

For use in GB & IE (Great Britain & Republic of Ireland).



IMPORTANT

THE OUTER CASING, FRONT AND GLASS PANEL BECOME EXTREMELY HOT DURING OPERATION AND WILL RESULT IN SERIOUS INJURY AND BURNS IF TOUCHED. IT IS THEREFORE RECOMMENDED THAT A FIREGUARD COMPLYING WITH BS 8423:2002 IS USED IN THE PRESENCE OF YOUNG CHILDREN, THE ELDERLY OR INFIRM.

For use with 230v 50Hz electricity supply only.

Please read these instructions carefully before installation and keep them in a safe place.

They will be needed when maintenance or servicing is required.

THIS APPLIANCE MUST BE EARTHED

Contents

Covering the following models:

Electric Riva2 670
234-872

User Instructions.....	3
1. Important Information & Health and Safety.....	3
2. Operating Instructions.....	3
3. Fitting Fronts.....	5
4. Maintenance.....	5
Installation Instructions.....	6
Technical Specifications.....	6
Appliance Dimensions.....	6
Front Dimensions.....	6
Installation.....	7
1. General.....	7
2. Fitting the Appliance.....	7
3. Care & Maintenance.....	9
Servicing.....	10
1. Fault Finding.....	10
2. How to Wire a Plug.....	10
3. Servicing Requirements.....	11
4. Removing the Screen.....	11
5. Removing the Fuel Bed.....	11
6. Removing the Front Panel.....	12
7. Replacing the Effect Engine.....	12
8. Replacing the LED Boards.....	12
9. Replacing the Heat Assembly.....	12
10. Replacing the Remote Sensor.....	13
11. Replacing the PCB Unit.....	13
12. Replacing the Thermostat Control Board.....	14
Spare Parts List.....	14




Registration No WEE/DH1656ZW
In accordance with European Directive 2002/96/EC, waste electrical and electronic equipment (WEEE) must not be disposed of with household waste.

At the end of its useful life please take this product to an appropriate recycling centre or collection point. You can find your nearest recycling centre by using the bank locator at www.recycle-more.co.uk for UK customers, www.weeeireland.ie for customers in the Republic of Ireland, or by contacting your local authority.

This product is guaranteed for 2 years from the date of installation, as set out in the terms and conditions of sale between Gazco and your local Gazco dealer. **This guarantee will be invalid, to the extent permitted by law, if the appliance has not been installed and operated as detailed in the Installation and User Instructions.** The guarantee will only be valid during the second year, to the extent permitted by law, if the appliance has been regularly maintained by the customer as detailed in the maintenance section of the Installation and User Instructions.

User Instructions

1. Important Information and Health and Safety

- 1.1 **Read all of the instructions carefully before using the appliance.**
- 1.2 **Remove all packaging and dispose of at an appropriate recycling facility.**
- 1.3 Do not locate this appliance immediately below a fixed socket outlet.
- 1.4 The outer casing of this appliance is considered by the manufacturer to be a working surface which becomes hot when the fire is switched on. You must use a suitable fire guard to protect children, the elderly and the infirm.
- 1.5 Do not use this appliance in the immediate surroundings of a bath, shower, swimming pool or any other area where the appliance could come into contact with water or humidity, e.g. a bathroom.
- 1.6  **WARNING! DO NOT COVER**
Do not allow the appliance to be covered or let the air inlet/outlet become obstructed as the appliance may overheat. Please note the warning symbol on the appliance (see above).
- 1.7 **For indoor use only.** This appliance is not suitable for use outside the house.
- 1.8 Keep the power cord away from hot surfaces and hot conditions. Do not route the power lead in front of the appliance.
- 1.9 This appliance must be firmly fixed into a recessed opening or to a flat internal wall using the optional Wall Mounting Bracket. Ensure that furniture, curtains etc. are positioned no closer than 1m to the appliance.
- 1.10 If the installation is to be at floor level the appliance must stand on a non combustible surface which projects at least 300mm in front of the appliance..
Do not allow rugs or carpets to be placed within 300mm of the front of the appliance.
- 1.11 When the fire has been installed, the position of the plug must be accessible.
- 1.12 Where the electricity supply cable has to pass through a fire place, stone surround etc. ensure suitable rubber bushes are fitted at possible wear points.
- 1.13 If the electricity supply cable is damaged do not use the appliance until it has been replaced. For safety reasons the replacement has to be carried out by Gazco, a Gazco service agent or a similarly competent electrician.
- 1.14 Do not use this appliance with any kind of timer, programmer or thermal control or other device that will switch the appliance on or off automatically.

- 1.15 Do not operate the appliance if it is damaged.
- 1.16 Repairs of electrical appliances must only be performed by an electrical engineer. Should the appliance fail to operate, or in case of any damage, please contact the retailer from whom the appliance was purchased.
- 1.17 **Never leave the heater unattended while it is in use.** Always switch the product to the OFF position and unplug it from the electrical outlet when not in use.
- 1.18 **This appliance is not intended to be used by persons under the age of 12, persons with reduced physical, sensory or mental capabilities or persons with lack of experience and knowledge in the safe operation of the appliance.**
The appliance may be operated by persons above the age of 12 provided they have been instructed in the safe use of the appliance and that they understand the hazards involved. Persons above the age of 12 may also operate the appliance under the supervision of a responsible adult.
- 1.19 Parts of this appliance become hot whilst in operation and under no circumstances should persons under the age of 12 be left alone with the product when it is in operation unless a suitable fireguard is used to protect them against the possibility of coming into direct contact with the appliance.

2. Operating Instructions



WARNING! DO NOT OPERATE THE APPLIANCE IF IT IS DAMAGED OR HAS MALFUNCTIONED. IF YOU SUSPECT THE APPLIANCE IS DAMAGED OR HAS MALFUNCTIONED CALL A QUALIFIED SERVICE ENGINEER TO INSPECT THE APPLIANCE, AND REPLACE ANY PART OF THE ELECTRICAL SYSTEM IF NECESSARY, BEFORE REUSE.

GENERAL

- 2.1 The appliance can be operated by the infrared handset or the manual controls which are on the right hand side of the lower front panel.

PREPARATION BEFORE USE

Batteries:

- 2.2 Ensure that the handset battery is new and is inserted correctly.
- 2.3 Dispose of old batteries at an appropriate recycling facility.

When using the handset:

- 2.4 Ensure the handset is pointed at the infrared sensor located behind the flame effect screen at the back of the inside of the appliance.

LOCATION OF POWER SWITCH

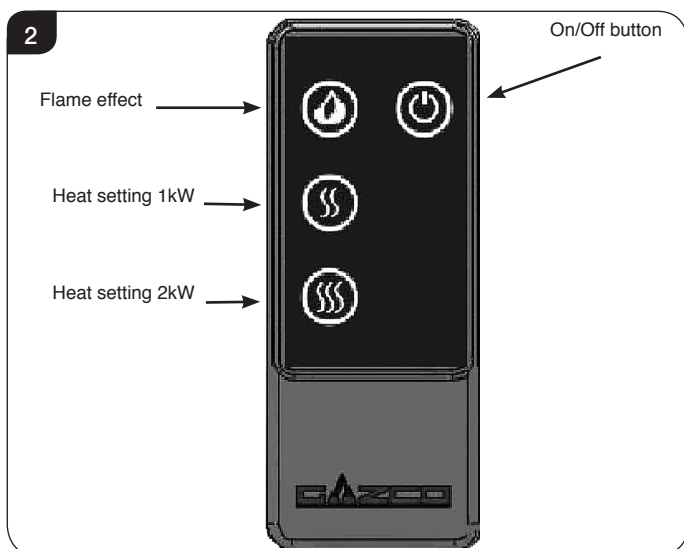
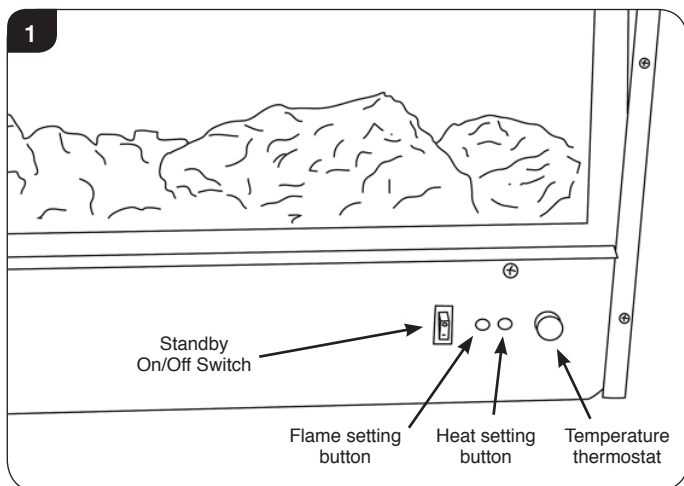
- 2.5 The mains power switch is located on the control panel located on the right-hand side of the appliance behind the door of the frame, see Diagram 1 over page.

User Instructions

- 2.6 Switch ON (—) before operating either the remote or manual controls.
- 2.7 The fire will beep once to indicate that the fire is ready to use.
- 2.8 For periods of non use set the isolation switch to OFF (O).

Remote & Manual Operation

- 2.9 The following functions can be controlled using the manual controls or remote handset:
 - Heat settings 1 and 2
 - Brightness of the fuel and flame effect
- 2.10 The Standby function and the thermostat can only be operated via the manual controls.
- 2.11 The effects can be turned off using the remote, returning the appliance to Standby, see Diagram 2.



Standby ON/OFF

- 2.12 The appliance is in Standby mode when the power is switched on via the manual control panel. You must have this power supply ON (—) before using the manual or remote controls.

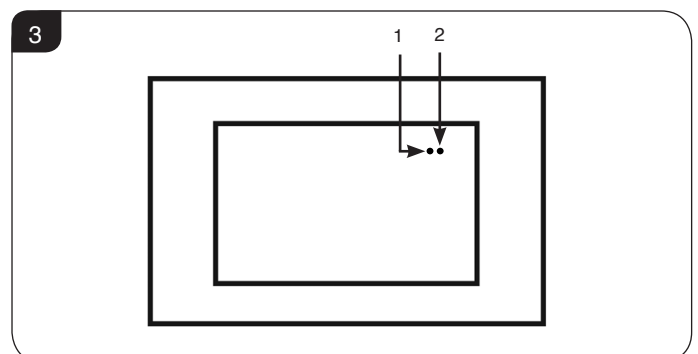
Turning On the Appliance

Flame Effects:

- 2.13 The flame effect button on both the manual and remote controls has 4 settings:
 - Press **once** for maximum brightness level with extra blue flames.
 - Press **twice** for maximum brightness without blue flames.
 - Press **three times** for medium brightness level.
 - Press **four times** for minimum brightness level.

Turning On The Heat:

- 2.14 **When turning on the heater you must always press the 1kW button. Do not start the fire using the 2kW setting.**
- 2.15 **It is NOT possible to run the heater without the flame effects switched on.**
- 2.16 Press the 1kW button to turn the fan heater ON. One red indicator light will be displayed on the indicator (1) - See Diagram 3. The appliance will blow cold air for approximately 8 seconds before the heater comes on. On this setting the heater will operate at half its maximum temperature.
- 2.17 Press the 2kW button **once** to turn the fan heater to its maximum temperature. Two red indicator lights will be displayed on the indicator (1) + (2) in the top right hand corner - See Diagram 3. After approximately 8 seconds the heater will operate at its maximum temperature.



- 2.18 **Pressing the 2kW button again will turn the heater OFF and cold air will continue for 8 seconds.**
- 2.19 Press the 1kW button to return to the lower heat setting.
- 2.20 Press the On/Off button to turn off **ALL** settings and return to Standby.
- 2.21 **The appliance should be turned off via the On/Off switch when it is not in use.**

User Instructions

Thermostatic Control

- 2.22 The appliance is fitted with a thermostat. This is located on the right hand panel of the appliance, Diagram 1.

The thermostat can control the room temperature between approximately 9°C and 34°C. The edge of the thermostat control dial is numbered 1 - 9 with 1 being the coolest setting and 9 being the warmest. If the room temperature is too high turn the thermostat dial in an anti-clockwise direction. If the room temperature is too low turn the dial in a clockwise direction.

Log Effect

- 2.23 **The Log effect is a glass fibre fuel bed which may give off a slight smell when first used. This is normal and should disappear after a day or two.**

Thermal Safety Cutout

The appliance is fitted with a thermal safety cutout, which operates if it overheats. If this happens:

- 2.24 Unplug the appliance and allow it to cool for 5 - 10 minutes.
- 2.25 Check the air inlets/outlets for any obstruction and clear if necessary (see Maintenance, Section 4.5).
- 2.26 Plug in appliance and switch it on. The cutout will re-set and the appliance should function correctly. If this is not the case:
- 2.27 Unplug once more and have the fire checked by a competent electrician.

3. Fitting Fronts

- 3.1 The electric Riva2 670 is designed to accept several different decorative fronts. For individual fixing methods refer to the front installation instructions.
- 3.2 When installing the Riva2 670 with a Wall Mounting Kit the addition of side mounting brackets are required before fitting the Evoke, Verve or Verve XS fronts. See Installation Section 2.31.

4. Maintenance

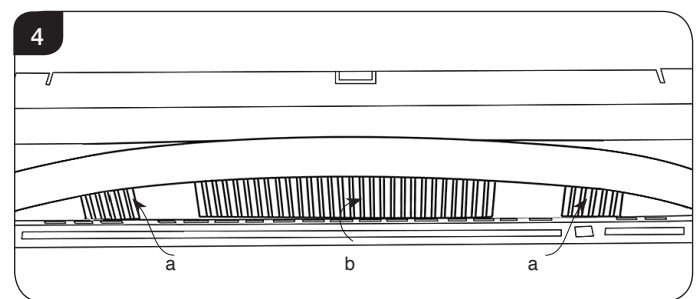
- 4.1 **ALWAYS UNPLUG FROM MAINS SUPPLY BEFORE CLEANING OR UNDERTAKING ANY MAINTENANCE**

GENERAL CLEANING

- 4.2 Only clean the outer casing when it is cold. Do not use abrasive cleaners.

CLEANING AIR INLETS

- 4.3 Ensure the appliance is unplugged.
- 4.4 Clean the air inlet (a) and outlet (b) grilles regularly with a soft cloth or the nozzle of a vacuum cleaner, see Diagram 4.



Dust build-up can inhibit efficient performance of the fan and lead to the safety cut-out operating.

- 4.5 Keep the area around the appliance clean and free of fluff, dust or pet hair.
- 4.6 In particular, build-up of dust etc. can occur around and under the heater area. Take particular care to keep this area free from such particles on a regular basis to prevent build-up.

BATTERY REPLACEMENT

- 4.7 When the remote batteries are low they must be changed immediately. Install correct replacement and dispose of the old batteries carefully.

Note: If the appliance is to be left for a long period of time ensure it is switched off and the power cord removed.

Installation Instructions

Technical Specification

These instructions cover the following models:

Electric Riva2 670
234-872

These appliances have 3 modes of operation:

- Flame effect only - with 4 brightness levels
- Flame effect + 1kW heating
- Flame effect + 2kW heating

A 230v 13amp 50Hz supply is required
Maximum power consumption:
2064 Watts

THIS APPLIANCE MUST BE EARTHED

A 1.8 metre lead with plug containing a 13 amp fuse is supplied. Only use a 13 amp fuse with this appliance.

Remote control handset battery (CR2032)

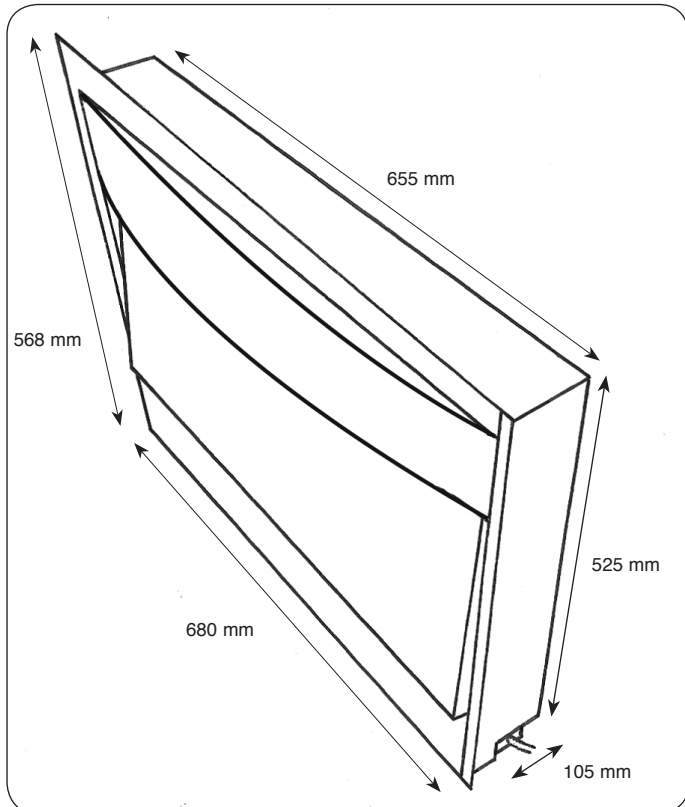
This appliance is compatible with the following fronts:
Verve
Verve XS
Designio2 Glass
Designio2 Steel
Evoke Glass
Evoke Steel

This appliance has been certified for use in countries other than those stated. To install this appliance in these countries, it is essential to obtain the translated instructions and in some cases the appliance will require modification. Contact Gazco for further information.

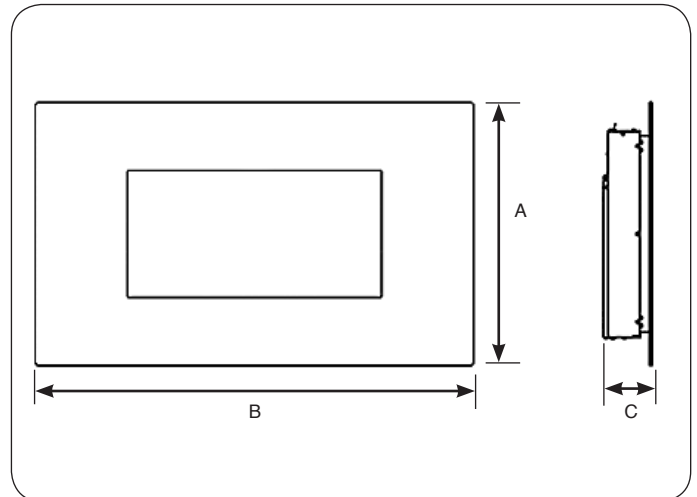
PACKING CHECKLIST

Appliance Description	Fixing Kit containing:
Riva2 670 Electric	1 x Instruction Manual 4 x Screws 4 x Rawl plugs 1 x Handset 2 x Retention screws 1 x Battery

Appliance Dimensions



Front Dimensions



Front	A	B	C
Verve	621	1325	167
Verve XS	621	1000	166
Designio2 Glass	569	735	150
Designio2 Steel	569	735	150
Evoke Glass	622	920	150
Evoke Steel	622	920	150

Installation Instructions

1. General

1.1 TOOLS REQUIRED

A Screw Driver, Spirit Level and Drill will be needed.

1.2 UNPACKING THE FIREPLACE

WARNING! DO NOT use this appliance if any part has been exposed to water.

Immediately call a qualified service technician to inspect and to replace any part of the electrical system if necessary.

- 1.3 Open the packaging carefully and remove the polystyrene. Remove and discard the plastic bag. Keep plastic wrapping away from children. Be responsible when handling the packing materials.

- 1.4 Check all parts and accessories are removed before disposing of any packaging. If necessary keep the original packaging for future transport and/or storage.

2. Fitting the Appliance

2.1 Locating the Riva2 670 Electric

The Riva2 670 Electric may be installed virtually anywhere in your home. However, when choosing a location ensure that the general instructions are followed.

- 2.2 For best results, install out of direct sunlight.
- 2.3 If the power cord is damaged contact your Gazco retailer for a replacement. Only use genuine Gazco parts on this appliance.
- 2.4 The appliance should be located close to a suitable mains socket to enable connection. The electrical socket must be easily accessible to allow disconnection when the appliance is fitted.

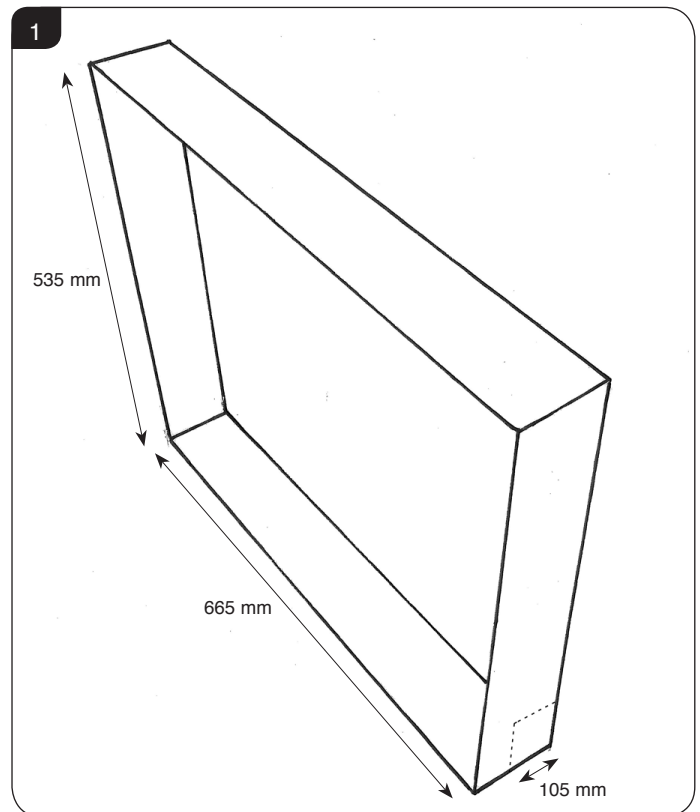
WARNING! KEEP ANY COMBUSTIBLE MATERIALS AT LEAST 1M FROM THE FRONT AND SIDES OF THE APPLIANCE

- 2.5 This Riva2 670 can be installed using the following methods:

1. Recessed Installation - the appliance is located in a purpose built recess. See Diagram 1 for the opening dimensions.

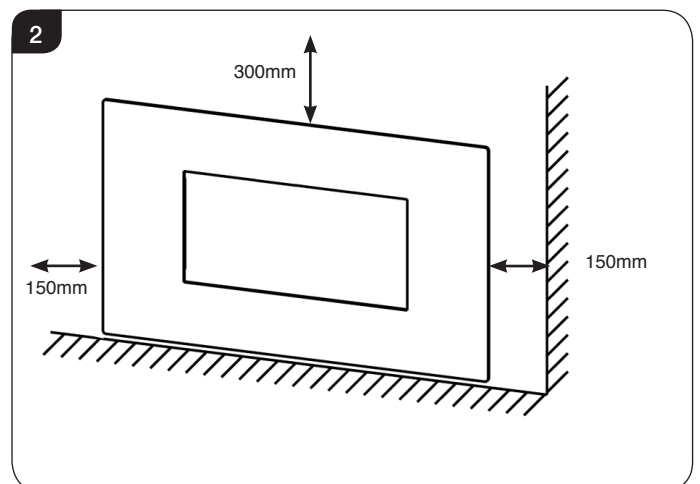
2. Wall Mounted - the appliance is hung on the wall using the optional Wall Mounting Kit (Part No. 8688SL).

If installing onto a hearth or non-combustible floor ensure a front which allows hearth mounting is used (Designio2). All other fronts require the appliance to be raised above floor height.



2a. Recessed Installation

- 2.6 Prior to installation ensure the minimum clearances are observed, see Diagram 2.



- 2.7 Decide on the height of the appliance ensuring the appliance is raised to a distance appropriate for the chosen front. For measurements refer to the front dimensions on page 6.
- 2.8 Prepare the recess opening according to the dimensions stated in Diagram 1.
- 2.9 Offer the appliance into the recess and mark the position of the four fixing holes on the wall.

Installation Instructions

- 2.10 Drill the 4 holes and insert the rawplugs provided.
Note: The rawplugs supplied are suitable for solid wall applications. If it is intended to mount the appliance onto plasterboard or hollow walls suitable fixings must be used.
- 2.11 Secure the appliance to the wall with the screws provided.
- 2.12 Fit the chosen front according to the instructions supplied.

2b. Wall Mounted Installation

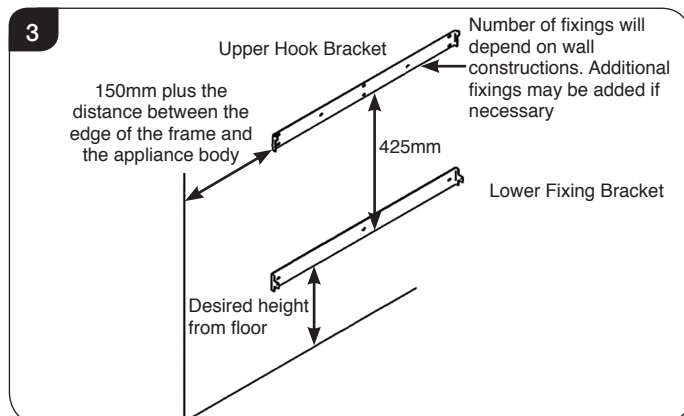
- 2.13 Prior to installation ensure the minimum clearances are observed, see Diagram 2.



IMPORTANT Before fitting consider whether different wall fixing plugs need to be purchased to support the weight of the chosen frame on the intended type of wall.
Additional fixing holes may be required in the wall bars to strengthen the structure for heavier frames or studwork walls.

Wall Bars

- 2.14 The Top bar has a hook
Lower bar has flange and screw hole, see Diagram 3.
- 2.15 Make sure there are no pipes or cables behind the area you drill.
- 2.16 Decide on the height of the appliance ensuring the appliance is raised to a distance appropriate for the chosen front.
For measurements refer to the front dimensions on page 6.
- 2.17 Position the Lower Fixing Bracket and mark the positions for the retaining screws. Remove the bracket and drill the holes.
- 2.18 Place the fixing plugs into the holes and secure the lower bracket using the screws provided.
- 2.19 Place the Upper Hook Bracket on the wall and mark the position ensuring that the distance between the bottom of each bracket is 425mm, see Diagram 3.

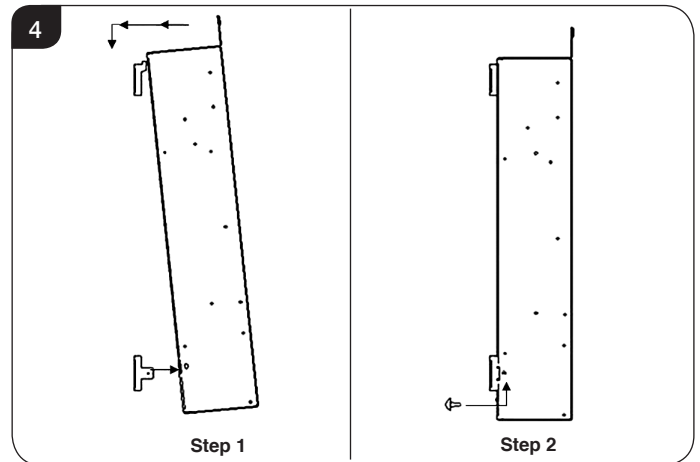


- 2.20 Use a spirit level to check the bars are straight. Mark the positions for the retaining screws. Remove the bracket and drill the holes

- 2.21 Place the fixing plugs into the holes and secure the upper bracket using the screws provided.

Fire Box

- 2.22 Lower the 'fire box' onto the top wall bar hook so that the rear slot on the top of the fire locks over the hook.
- 2.23 Rotate the 'fire box' flat to the wall so that the flange in the lower bar fits with the bottom fire box slot, see Diagram 4.



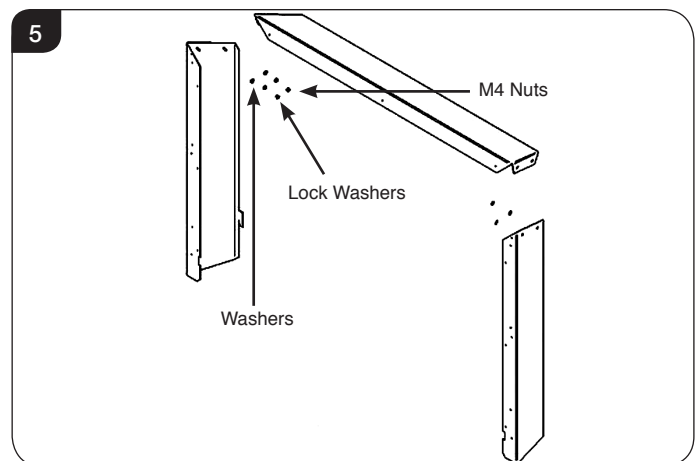
- 2.24 Use two No.6 x 12 screws from the kit to fix the fire through both sides into the holes in the lower bar.



IMPORTANT: IT IS VITAL THAT THE APPLIANCE POWER SUPPLY IS CONNECTED TO THE PRODUCT AT THIS STAGE.

Wall Box

- 2.25 Join the three pieces of wall box together, See Diagram 5.



- 2.26 Insert threaded studs in the sides through the holes in the end flanges of the top.
- 2.27 Assemble the wall box using the washers, nut lock washers and M4 nuts supplied.

Before tightening, make sure the front face of the box structure is level.

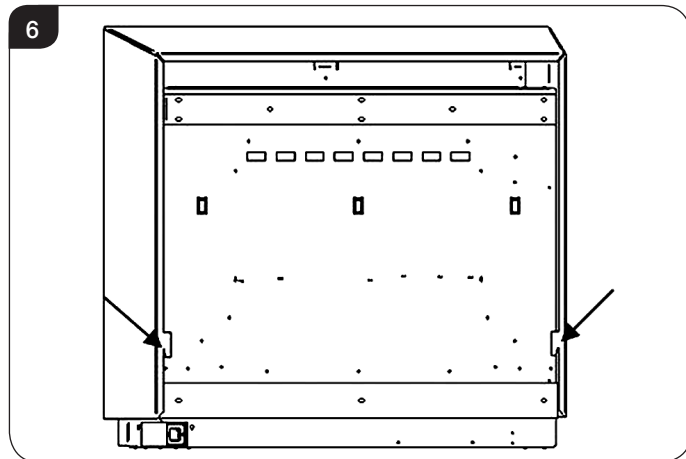
Installation Instructions

2.28 Press face down onto a soft flat surface to protect from scratching or damage.

2.29 Now tighten the nuts.

2.30 With the appliance power supply in place:

- Slightly widen the legs of the wall box and lower it over the 'fire box' so its hooks clear the top wall bar, see Diagram 6.

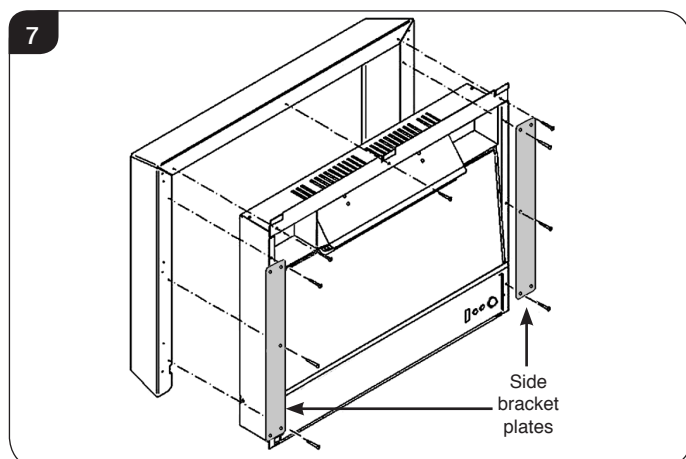


- Let the legs spring back once over the top bar to engaged with the lower bar.

2.31a **Installing With Verve, Verve XS and Evoke Frames:**

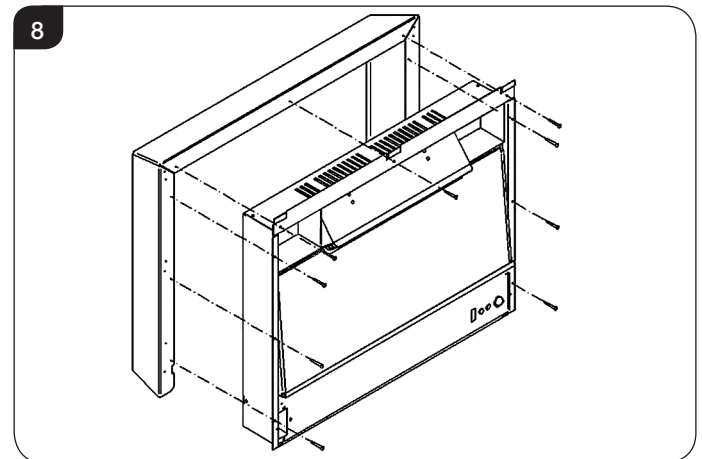
Fix the wall box to the appliance frame and the side brackets supplied with the frame using the 9 screws supplied, see Diagram 7.

Note: Lip of the appliance should sit in front of the wall box and the Side Bracket plates are fitted in front of the appliance. The Mounting Brackets for the frames can then be attached to the Side Bracket Plates.



2.31b **All Other Frame Types**

Fix the wall box to the appliance frame using the 9 screws supplied, see Diagram 8.



2.32 Complete the installation of the Electric Riva and the decorative frame by following the relevant instructions provided

The appliance power cable can be hidden from view by either sinking it into the plaster of the wall behind a suitable conduit, or by running it through a surface mounted channel.

! THE POWER CABLE SHOULD NEVER BE HARD WIRED INTO THE ELECTRICAL WIRING OF THE HOUSE AND THE PLUG AND FLEX SHOULD NOT BE ALTERED IN ANY WAY. SUCH ACTION WILL INVALIDATE THE WARRANTY AND COULD EFFECT THE SAFE OPERATION OF THE APPLIANCE.

3. Care & Maintenance

Do not use abrasive cleaners on the wall box as this may damage the finish.

3.1 Use a lint-free damp cloth to wipe clean.

3.2 For the frame and appliance follow the instructions included with them.

Servicing

1. Fault Finding

NO ILLUMINATION OR UNEVEN LIGHTING:

- 1.1 Check the heater is working. If YES, one or more of the LED boards will need replacing. This must be undertaken by a suitably qualified person (see Servicing Requirements).
- 1.2 If NO, first change the 13amp fuse for one known to work. If the fire still does not work, check the socket by plugging in a working appliance. If this too fails to operate, call in a competent electrician to check the socket.

ILLUMINATION BUT NO HEAT:

- 1.3 The safety cut-out has operated to protect against overheating (see User Instructions, Section 2). Ensure the air inlet and outlet grilles are free of dust or any other obstruction.
- 1.4 The thermostat control dial may be set too low. Turn the dial clockwise until the heater turns on.

REMOTE CONTROL FAILS TO WORK:

- 1.5 Check that the batteries are new and correctly fitted. Replace if necessary.
- 1.6 Ensure that the handset is pointed towards the fire.

2. How to wire a plug

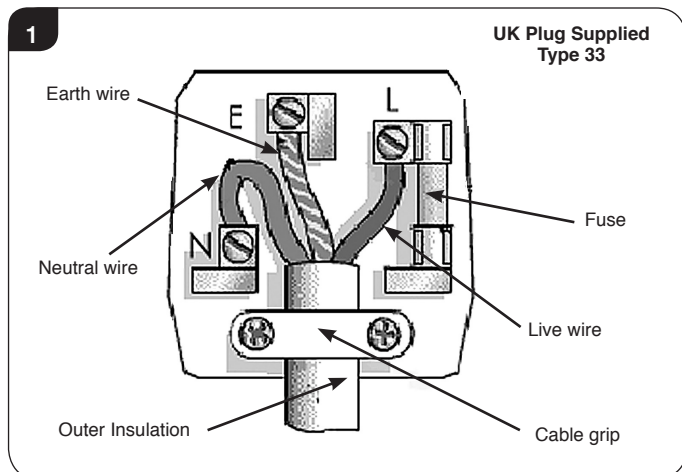
To change the plug supplied with this fire, follow the instructions below. The instructions assume that the wire has been cut.



WARNING – FAILURE TO CONNECT THE WIRES CORRECTLY COULD PUT PEOPLE AT RISK FROM ELECTRIC SHOCK OR FIRE. IF IN DOUBT CONSULT A QUALIFIED ELECTRICIAN.

UK Plug

Suitable for use in Cyprus, Malta, Ireland & Great Britain

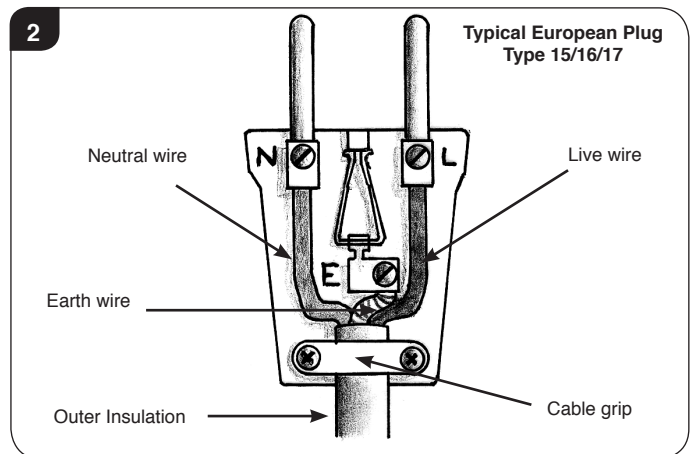


Live Wire	Brown	Terminal L / RED
Neutral Wire	Blue	Terminal N / BLACK
Earth Wire	Green & Yellow Stripes	Terminal E / / GREEN or GREEN & YELLOW

THIS APPLIANCE MUST BE EARTHED

European Plug

Suitable for use in Austria, Belgium, Bulgaria, Czech Republic, Denmark, Estonia, Finland, France, Greece, Hungary, Germany, Italy, Latvia, Lithuania, Luxembourg, Netherlands, Poland, Portugal, Romania, Slovakia, Slovenia, Spain & Sweden



- 2.1 Dispose of the old plug safely. Ensure the new plug is not cracked or chipped.
- 2.2 Expose 4cm of the coloured wires and trim to the correct lengths so that they comfortably reach the correct terminals.
- 2.3 Ensure that the Earth wire has more slack than any of the other wires.
- 2.4 Remove some of the insulation to leave about 1cm of exposed metal core on each wire.
- 2.5 Twist the strands of the wire together.
- 2.6 Loosen the screw heads above each terminal.
- 2.7 Push the metal wire into the hole beneath each screw head or, dependent on plug design, wind the metal wire around the screw.
- 2.8 Ensure that the insulation reaches right up to each terminal as illustrated and there are no loose strands of wire.
- 2.9 Ensure the cable sits correctly under the cable grip and tighten to secure.
- 2.10 Refer to *Technical Specification* for fuse rating and fit the appropriate fuse into the plug.
- 2.11 Attach the plug cover.

3. Servicing Requirements

THIS APPLIANCE MUST ONLY BE SERVICED BY A SUITABLY QUALIFIED PERSON.

BEFORE UNDERTAKING ANY WORK ON THE APPLIANCE: SWITCH OFF THE APPLIANCE AND ISOLATE IT FROM THE MAINS BY UNPLUGGING THE UNIT.

- 3.1 Wait for at least 10 minutes until the appliance has cooled down.

Remote Handset Battery Replacement

- 3.2 Replace with a CR2032 battery. Make sure the battery is installed correctly in the remote control.

Maintenance of Motors

- 3.3 The motors used on the fan and flame effect are pre-lubricated for extended bearing life and require no further lubrication. However, periodic cleaning/vacuuming of the fan/heater unit is recommended.

Resetting the Thermal Cutout Switch

- 3.4 The appliance is fitted with an Electronic Safety Control (E.S.). This is a safety device which switches off the fire if, the appliance overheats for any reason e.g. when covered.

If the heater stops operating whilst the flame effect continues normally, this indicates that the E.S. Control is in operation.

The E.S. Control can only be re-set after the appliance has cooled down.

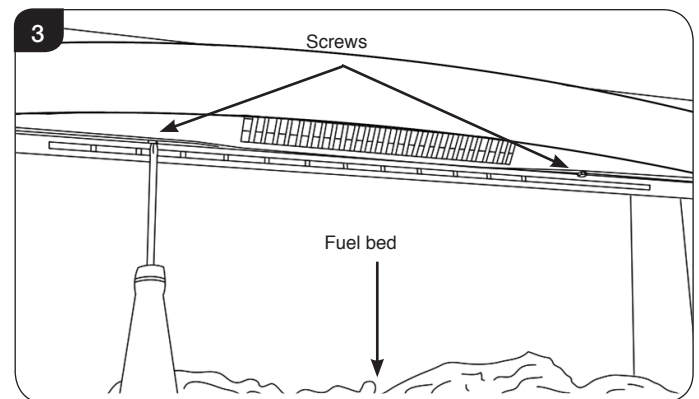
To re-set the E.S:
Switch off the appliance (Manual On/Off switch) and leave for approximately 10-15 minutes.
Remove any obstruction to the fan heater outlet or other internal parts.
Switch on appliance and the E.S. Control will re-set. Ensure that the appliance is functioning correctly. If the E.S. Control operates again, the appliance should be checked by a competent Electrician.

4. Removing the Screen

- 4.1 Remove the 2 screws and lift the bracket away from the screen, see Diagram 3.

Note: When replacing the bracket there is a flange that hooks over the top of the glass to hold the screen in place.

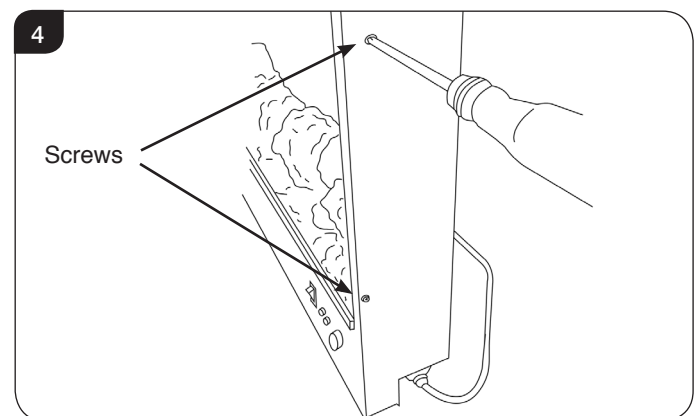
- 4.2 Pull the glass forward and lift out of the channel.



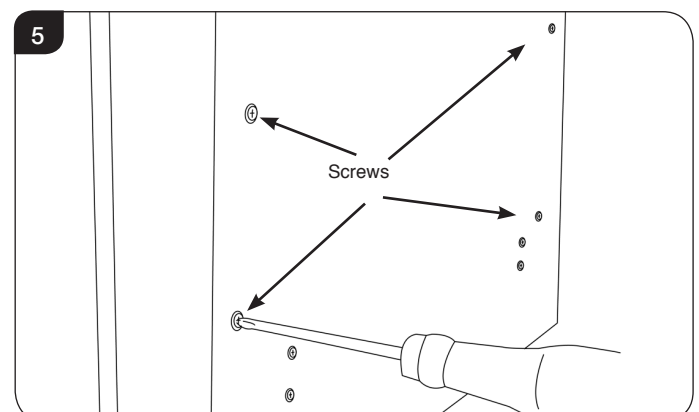
5. Removing the Fuel Bed

- 5.1 Remove the screen, see section 4.

- 5.2 Remove the 2 screws on either side of the appliance, see Diagram 4.



- 5.3 Remove the 4 screws on the back (2 on either side of the back), see Diagram 5.

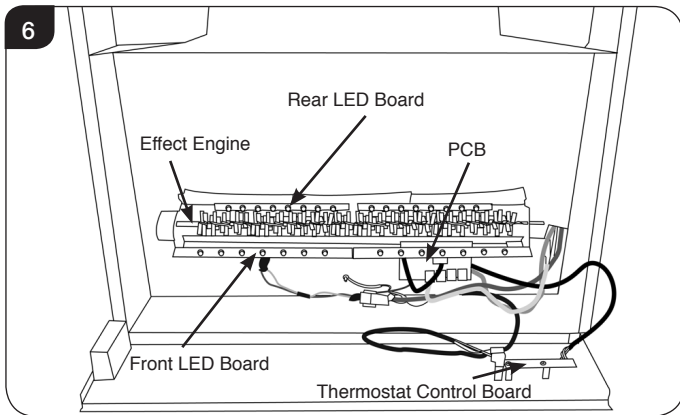


Servicing

- 5.4 Remove the 2 side covers by carefully sliding forward.
- 5.5 Lift the fuel bed carefully out through the front of the appliance.

6. Removing the Front Panel

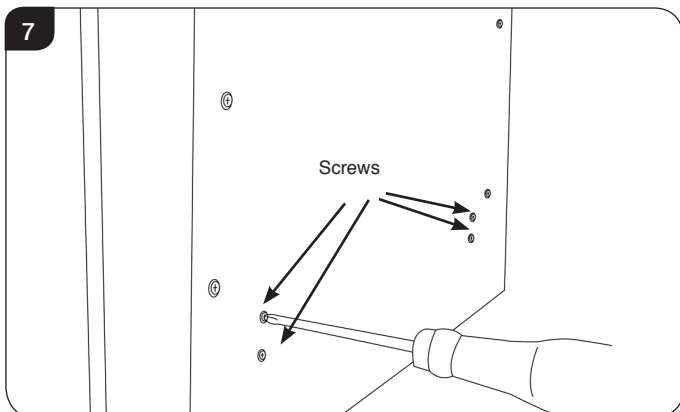
- 6.1 Lay the appliance on its back on a flat surface.
- 6.2 Remove the bottom front panel by removing the 3 screws from the right side, 3 from the left side and 3 from the bottom of the appliance.



- 6.3 It is now possible to access all components.

7. Replacing the Effect Engine

- 7.1 Refer to sections 4 and 5 to remove the screen and fuel bed.
- 7.2 It is advisable to remove the bottom front panel to access the effect engine, see section 6.
- 7.3 Remove the 4 screws on the back of the appliance, see Diagram 7.



- 7.4 Unplug the LED boards and wires.
- 7.5 Replace in reverse order ensuring the wires are put back in exactly the same configuration.

8. Replacing the LED Boards

- 8.1 Refer to section 4 to remove the screen.
- 8.2 It is advisable to remove the bottom front panel to access the effect engine, see section 6.

Front LED board

- 8.3 Unplug the wire connected to the LED board.
- 8.4 Using a pair of long nosed pliers remove the board from the plastic pegs securing it to the appliance.
- 8.5 Replace in reverse order.

Rear LED board

- 8.6 Remove the plastic cover by removing the 4 screws
- 8.7 Remove the 2 screws on either side of the LED board.
- 8.8 Using a pair of long nosed pliers remove the board from the plastic pegs securing it to the appliance.
- 8.9 Replace in reverse order.

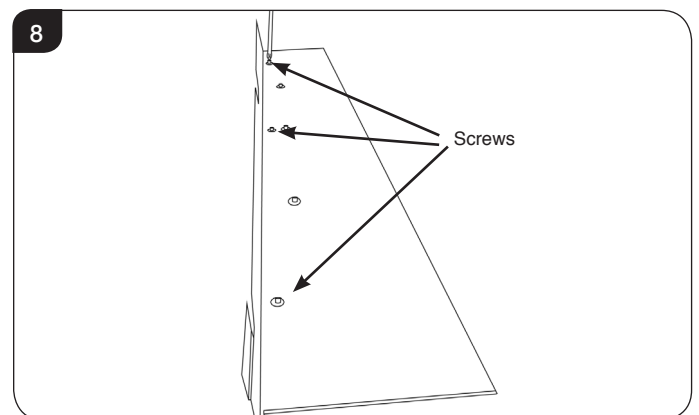
Dispose of any old boards at an appropriate recycling centre.

9. Replacing the Heater Assembly

- 9.1 Refer to sections 4 to remove the screen.
- 9.2 It is advisable to remove the bottom front panel to access the effect engine, see section 6.

Remove the Heater Cover

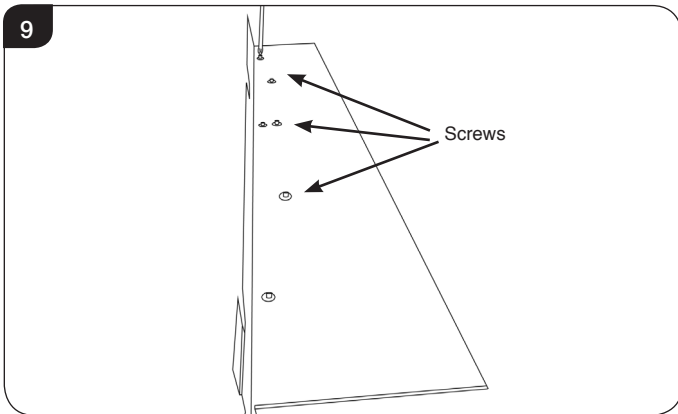
- 9.3 Remove the 4 screws, 2 on either side of the appliance
- 9.4 Remove 3 screws closest to the front on top of the appliance, see Diagram 8.



Remove the Heater Assembly

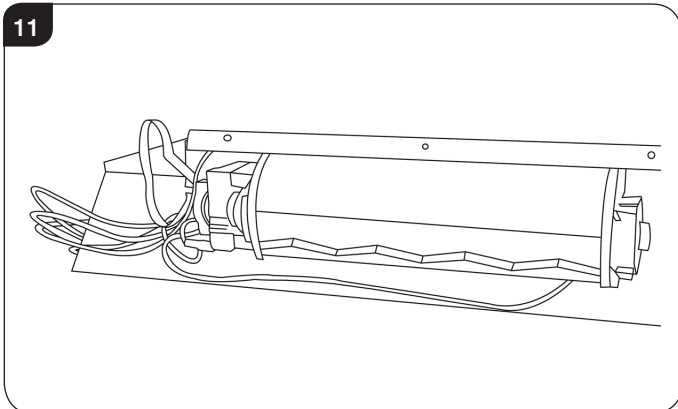
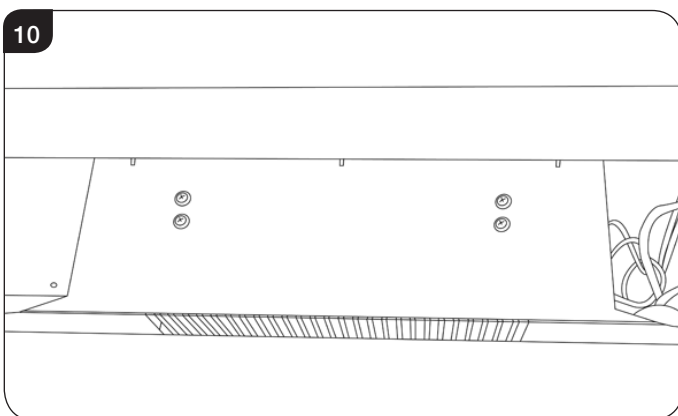
- 9.5 Remove the 3 screws towards the rear of the top of the appliance, see Diagram 9.

Servicing



9.6 Remove the 3 screws at the top of the back of the appliance.
SUPPORT THE HEATER ASSEMBLY WHILST REMOVING THE SCREWS.

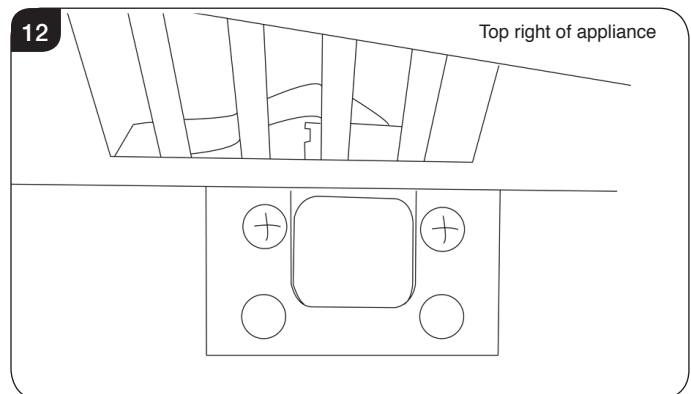
9.7 Undo 4 screws to remove the fan heater assembly, see Diagram 10.



9.8 Replace in reverse order ensuring the wires are put back in exactly the same configuration.

10. Replacing the Remote Sensor

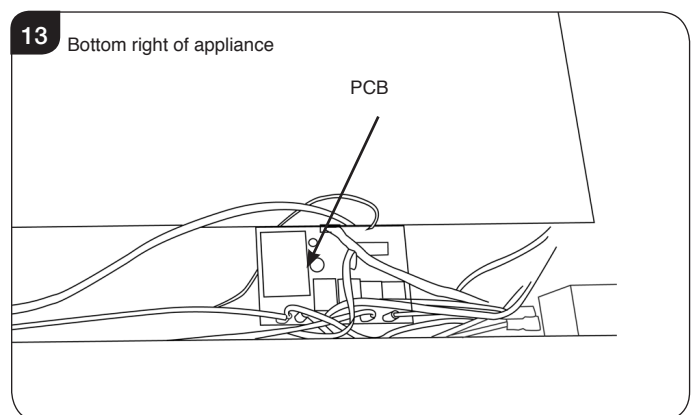
- 10.1 Refer to sections 4 to remove the screen
- 10.2 It is advisable at this stage to remove the bottom front panel, see section 6.
- 10.3 Disconnect the sensor lead from the PCB and remote sensor and carefully move to one side.
- 10.4 Remove the 2 screws and using a pair of long nosed pliers squeeze the clips that hold the sensor bracket to the heater assembly in order to release, see Diagram 12.



10.5 Remove the sensor and replace as required.

11. Replacing the PCB Unit

- 11.1 Refer to sections 4 and 5 to remove the screen and fuel bed.
- 11.2 Lay the appliance on its back on a flat surface.
- 11.3 Remove the bottom front panel, see section 6.
- 11.4 Remove the 2 screws and using a pair of long nosed pliers squeeze the clips that hold the PCB to the appliance in order to release.



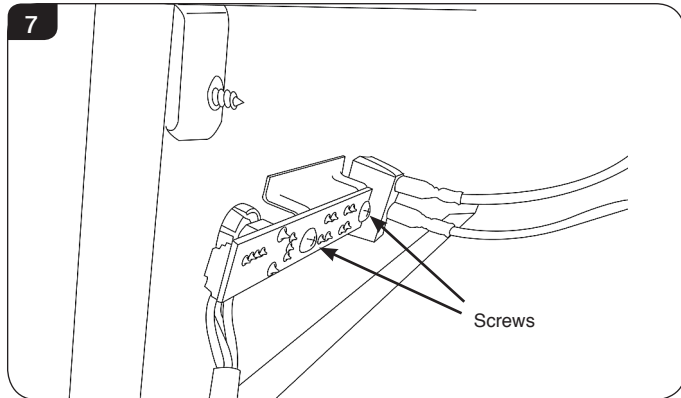
IMPORTANT: Make note of the wiring positions before removing any connections.

11.5 Replace in reverse order ensuring the connections are put back in exactly the same configuration as was originally found.

Servicing/ Spare Parts List

12. Replacing the Thermostat Control Board

- 12.1 Refer to sections 4 and 5 to remove the screen and fuel bed.
- 12.2 Lay the appliance on its back on a flat surface.
- 12.3 Remove the bottom front panel, see section 6.
- 12.4 Undo the 2 screws and unclip the connector to remove the board, see Diagram 45.



- 12.5 Replace in reverse order ensuring the wires and connectors are put back in exactly the same configuration.

Spare Parts List

Parts Description	Part No.
Main Front Screen	CE1186
Log Fuel Effect	CE1138
Heater Assembly	EL0558
Glass Clamp (Top)	GZ9942
Heater Cover	GZ9941
Motor & Effect Assembly	GZ9945
Front LED Board	EL0555
Rear LED Board	EL0554
PCB Unit	EL0493
IR Receiver Board	EL0557
Remote Battery	EL0492
Remote Handset	EL0491
Power Cable (U.K) Straight	EL0550

Gazco Limited, Osprey Road, Sowton Industrial Estate, Exeter, Devon, England EX2 7JG
Technical Customer Services (01392) 261950 Fax: (01392) 261951
E-mail: technicalservices@gazco.com

A member of the Stovax Group