

# GAZCO



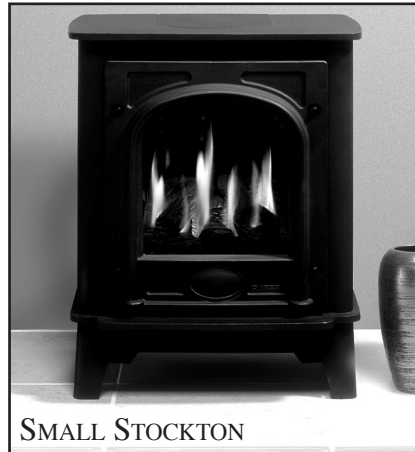
SMALL CLARENDON



SMALL STEEL MANHATTAN



SMALL MARLBOROUGH



SMALL STOCKTON

## *Small Clarendon, Marlborough, Stockton & Steel Manhattan*

### *Balanced Flue*

With upgradable control valve

## **Instructions for Use, Installation and Servicing** For use in GB, IE (Great Britain and Eire)

### **IMPORTANT**

THE OUTER CASING, FRONT AND GLASS PANEL BECOME EXTREMELY HOT DURING OPERATION AND WILL RESULT IN SERIOUS INJURY AND BURNS IF TOUCHED. IT IS THEREFORE RECOMMENDED THAT A FIREGUARD COMPLYING WITH BS 8423:2002 IS USED IN THE PRESENCE OF YOUNG CHILDREN, THE ELDERLY OR INFIRM.

This product contains a Heat resistant glass panel. This panel should be checked during Installation and at each servicing interval. If any damage is observed on the front face of the glass panel (scratches, scores, cracks or other surface defects), the glass panel must be replaced and the appliance must not be used until a replacement is installed. Under no circumstances should the appliance be used if any damage is observed, the glass panel is removed or broken.

This appliance is guaranteed for 2 years (subject to the conditions on page 3 of this Instruction manual). The second year of the guarantee will only be valid if the annual service recommended in this Instruction manual has been completed by a GasSafe registered engineer, and a copy of the service report is available for inspection by a Gazco engineer.

These Instructions must be left with the appliance for future reference and for consultation when servicing the appliance. Please make the customer aware of the correct operation of the appliance before leaving these instructions with them.

The commissioning sheet found on Page 3 of this Instruction manual must be completed by the Installer prior to leaving the premises.

# CONTENTS

## COVERING THE FOLLOWING MODELS:

	Clarendon NG		Steel Manhattan		Marlborough		Stockton	
	NG	LPG	NG	LPG	NG	LPG	NG	LPG
<b>Black</b>	8538	P8538	-	-	8536	P8536	8540	P8540
<b>Black Clear Door</b>	8562	P8562	-	-	-	-	-	-
<b>Midnight Blue Clear Door</b>	8562B	P8562B	-	-	-	-	-	-
<b>Laurel Green Clear Door</b>	8562G	P8562G	-	-	-	-	-	-
<b>Ivory Paint</b>	570-199	570-477	-	-	-	-	-	-
<b>Ivory Paint Clear Door</b>	570-259	570-413	-	-	-	-	-	-
<b>Anthracite</b>	-	-	8622AN	P8622AN	-	-	-	-
<b>Brushed Stainless Steel</b>	-	-	8622BS	P8622BS	-	-	-	-

	<b>PAGE</b>
<b>APPLIANCE COMMISSIONING CHECKLIST</b>	<b>3</b>
<b>USER INSTRUCTIONS</b>	<b>4</b>
<b>INSTALLATION INSTRUCTIONS</b>	<b>9</b>
Technical Specification	9
Site Requirements	10
Installation	13
Commissioning	17
<b>SERVICING INSTRUCTIONS</b>	<b>18</b>
Servicing Requirements	18
Fault Finding	18
How to replace parts	20
Basic spare parts list	23
Service Record	24

# APPLIANCE COMMISSIONING CHECKLIST

## IMPORTANT NOTICE

Explain the operation of the appliance to the end user, hand the completed instructions to them for safe keeping, as the information will be required when making any guaranteed claims.

FLUE CHECK	PASS	FAIL	
1. Flue is correct for appliance			
2. Flue flow test N/A			
3. Spillage test N/A			
GAS CHECK			
1. Gas soundness & let by test			
2. Standing pressure test	mb		
3. Appliance working pressure (on High Setting) NB All other gas appliances must be operating on full	mb		
MTM fires only. Setting Pressure	High-mb	Low-mb	
4. Gas rate	m <sup>3</sup> /h		
5. Does ventilation meet appliance requirements N/A			
6. Have controls been upgraded (Upgradeable models only)	8455 Standard	YES	NO
	8456 Programmable Time & Temperature	YES	NO

## DEALER AND INSTALLER INFORMATION

Dealer .....

.....

Contact No. ....

Date of Purchase .....

Model No. ....

Serial No. ....

Gas Type .....

Installation Company .....

.....

Engineer .....

Contact No. ....

Gas Safe Reg No. ....

Date of Installation .....

This product is guaranteed for 2 years from the date of installation, as set out in the terms and conditions of sale between Gazco and your local Gazco dealer. **This guarantee will be invalid, to the extent permitted by law, if the above Appliance Commissioning Checklist is not fully completed by the installer and available for inspection by a Gazco engineer.** The guarantee will only be valid during the second year, to the extent permitted by law, if the annual service recommended in the Instructions for Use has been completed by a Gas Safe registered engineer, and a copy of the service visit report is available for inspection by a Gazco engineer.

# USER INSTRUCTIONS

## 1. GENERAL

**IMPORTANT: ALWAYS WEAR THE GLOVES PROVIDED WHEN HANDLING AN IVORY PAINTED APPLIANCE.**

**In the event of a gas escape or if you can smell gas, please take the following steps:**

- Immediately turn off the gas supply at the meter/emergency control valve.
- Extinguish all sources of ignition.
- Do not smoke.
- Do not operate any electrical light or power switches (On or Off).
- Ventilate the building(s) by opening doors and windows.
- Ensure access to the premises can be made.

**Please report the incident immediately to the National Gas Emergency Service Call Centre on 0800 111 999 (England, Scotland and Wales) 0800 002 001 (N. Ireland) or in the case of LPG, the gas supplier whose details can be found on the bulk storage vessel or cylinder.**

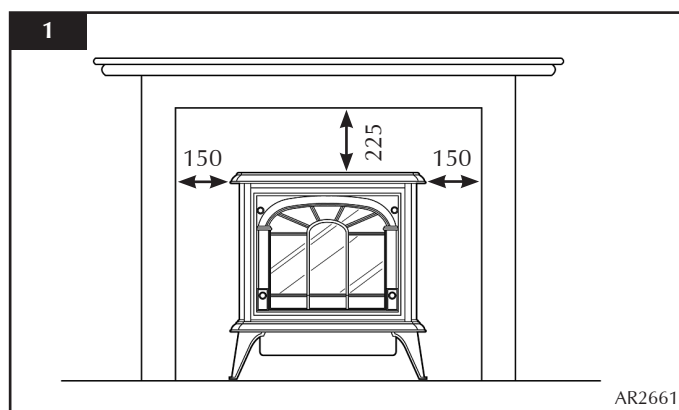
**The gas supply must not be used until remedial action has been taken to correct the defect and the installation has been recommissioned by a competent person.**

- 1.1 Installation and servicing must only be carried out by a competent person whose name appears on the Gas Safe register. To ensure the engineer is registered with Gas Safe they should possess an ID Card carrying the following logo:



- 1.2 This appliance is suitable for use in G.B. and I.E. using Natural Gas at a supply pressure of 20mbar or LPG at a supply pressure of 37mbar (Propane).
- 1.3 Read all these instructions before commencing installation.
- 1.4 This appliance must be installed in accordance with the rules in force and only used in a sufficiently ventilated space.
- 1.5 If the flue has to be removed from the appliance for any reason, the seals must be replaced in the inner spigot.
- 1.6 Do not obstruct the flue terminal in any way, i.e. by planting flowers, trees, shrubs etc. in the near vicinity, or by leaning objects against the terminal guard.
- 1.7 Do not put any objects on the terminal guard; it will lose its shape.

- 1.8 If you use a garden sprinkler, do not let quantities of water into the flue terminal.
- 1.9 Do not place curtains above the appliance. There must be 300mm (1') clearance between the appliance and any curtains at either side.
- 1.10 No furnishings or other objects should be placed within 1 metre of the front of the appliance.
- 1.11 If any cracks appear in the glass panel do not use the appliance until the panel has been replaced.
- 1.12 The manufacturer considers the full outer casing of this appliance to be a working surface which becomes hot whilst in operation. A suitable guard is recommended to protect young children, the aged and the infirm.
- 1.13 This appliance must only be operated with the door firmly secured in position. If any cracks appear in the glass, the appliance must not be used until the glass panel is replaced.
- 1.14 Do not burn rubbish on this appliance.
- 1.15 Combustible shelves or furniture must be positioned outside the minimum measurements shown in Diagram 1.

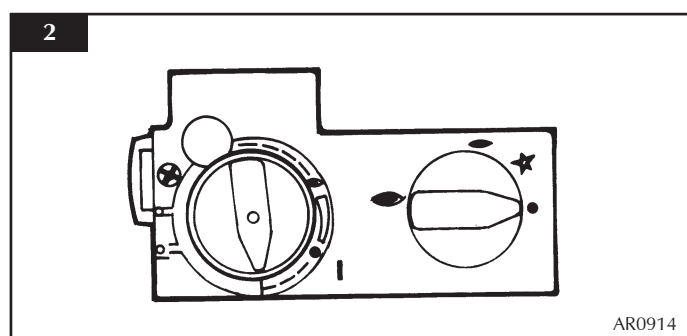


- 1.16 Contact a competent service engineer to carry out relevant spillage checks etc. following home improvements after installation of this appliance (e.g. the fitting of double glazing).
- 1.17 Quote the Model and Serial Number found on the data badge at the back of the appliance in all correspondence.
- 1.18 There is a two year guarantee from the date of installation of this appliance, as set out in the Terms and Conditions of Sale between Gazco and your local Gazco retailer. Consult your local retailer if you have any questions and quote the Model and Serial number. Please make sure the Appliance Commissioning Checklist is completed by the installer; it is a requirement of the Guarantee.

# USER INSTRUCTIONS

## 2. LIGHTING THE APPLIANCE

- 2.1 Locate the control valve on the appliance. There are two control knobs on the valve, the right hand knob controls the pilot ignition and the left hand knob controls the main burner.
- 2.2 If your appliance has already been upgraded to battery remote control, please refer to the instructions provided with the upgrade to operate the remote control. The following instructions will work for either situation.



- 2.3 Ensure that the left-hand control knob is pointing to off (●).
- 2.4 Ensure that the right hand control knob is pointing to off (●).
- 2.5 Press in the right hand control knob and rotate it anti clockwise until a click is heard (keep pressing in) and the knob is pointing to pilot (●). The pilot should now light. If the pilot has not lit, repeat the procedure until it does.
- 2.6 Keep the control knob pressed in for 10 seconds and then release it, the pilot should stay alight. If the pilot goes out, repeat the procedure until it does.
- 2.7 If the pilot will not light after repeated attempts, contact the retailer or installer from whom the appliance was purchased.
- 2.8 Turn the right hand control to point to main burner (☞). The appliance can now be controlled using the left hand control knob.
- 2.9 Turn the left hand control knob to point to low flame (☞) the main burner will light on low. The burner can now be controlled between low and high settings. Turn the control knob anti-clockwise to increase the flame height and clockwise to decrease the flame height.

**THE YELLOW FLAMES WILL APPEAR WHEN THE APPLIANCE HAS GAINED SUFFICIENT HEAT - TYPICALLY 10 TO 20 MINUTES.**

**IF THE APPLIANCE IS EXTINGUISHED OR GOES OUT IN USE, WAIT 3 MINUTES BEFORE ATTEMPTING TO RELIGHT THE APPLIANCE.**

## 3. TURNING OFF THE APPLIANCE

- 3.1 To turn the appliance off, locate the control valve, turn the left-hand control knob until it points to off (●). The main burner will go out leaving the pilot burning.
- 3.2 To turn the pilot off, locate the control valve, turn the right-hand control knob until it points to off (●), the pilot will go out.

## 4. UPGRADING YOUR APPLIANCE

The appliance is fitted with a control valve that can be upgraded to support a battery powered remote control. Two types of remote control can be obtained through your local Gazco stockist:

- 4.1 The **Standard Remote Control (Gazco Part No. 8455)** controls the gas appliance after the pilot is lit so you can regulate the main burner through its range of settings and turn the burner off leaving just the pilot lit.
- 4.2 The **Thermostatic and Timer Remote Control (Gazco Part No. 8456)** controls the appliance after the pilot is lit using three modes:
  - Manual Mode – used to turn the burner on and off and regulate it through its range of settings.
  - Auto Mode – used to turn the burner on and off and regulate the heat to a pre-set temperature.
  - Timer Mode – used to turn the burner on and off at two pre-set times and regulate the heat to a pre-set temperature during those periods.

## 5. HANDLING & DISPOSAL OF FIRE CERAMICS

The fuel effect and side panels in this appliance are made from Refractory Ceramic Fibre (RCF), a material which is commonly used for this application. Protective clothing is not required when handling these articles, but we recommend you follow normal hygiene rules of not smoking, eating or drinking in the work area and always wash your hands before eating or drinking. To ensure that the release of RCF fibres are kept to a minimum, during installation and servicing a HEPA filtered vacuum is recommended to remove any dust accumulated in and around the appliance before and after working on it. When servicing the appliance it is recommended that the replaced items are not broken up, but are sealed within heavy duty polythene bags and labelled as RCF waste. RCF waste is classed as stable, non-reactive hazardous waste and may be disposed of at a licensed landfill site. Excessive exposure to these materials may cause temporary irritation to eyes, skin and respiratory tract; wash hands thoroughly after handling the material.

# USER INSTRUCTIONS

## 6. CLEANING THE APPLIANCE

- 6.1 **Allow appliance to cool thoroughly to avoid risk of burns.**
- 6.2 Remove the four black nuts retaining the door. Take care when removing the door as it is heavy.
- 6.3 Remove all of the ceramic logs.
- 6.4 The logs should not require cleaning. Do not use a vacuum cleaner or brush to clean the logs, any large pieces of debris may be removed by hand.
- 6.5 Ensure any debris is removed from the burner ports.
- 6.6 Replace the ceramics and door referring to section 7.
- 6.7 Use a damp cloth to clean the outer casing of the appliance.

## 7. CLEANING IVORY PAINTED APPLIANCES

- 7.1 **Allow appliance to cool thoroughly to avoid risk of burns.**
- 7.2 Ivory painted appliances require special attention when cleaning. They have been coated with a high quality paint that should give many years of service. However, this colour will mark more easily and require cleaning more than other models.
- 7.3 Take care when touching the appliance to avoid marking the paint. Most marks can be removed using a mild soap solution and a clean lint free cloth. The finish can also be refreshed using aerosol touch up paint (product code 2055) available from your Gazco retailer.

## 8. FUEL BED ARRANGEMENTS

### CLARENDON, MARLBOROUGH & STOCKTON

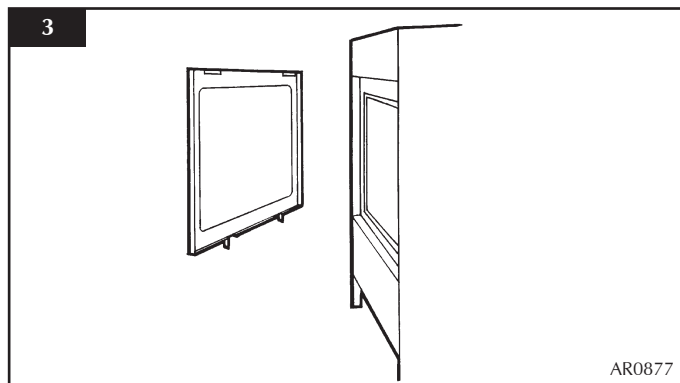
The major ceramic components can be found inside the firebox:

- Remove the cast iron door using the tool provided
- Remove all protective packaging from the ceramic parts

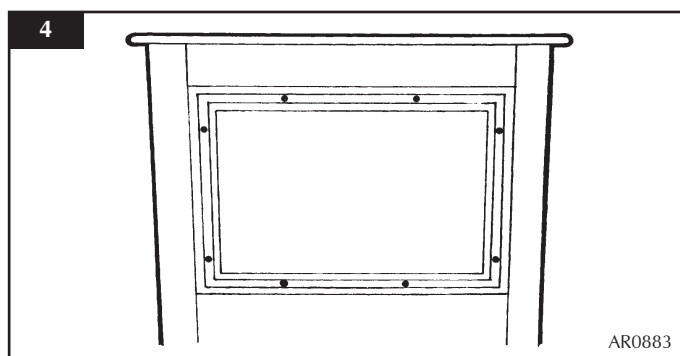
**NOTE: THE CAST IRON DOOR IS HEAVY, TAKE EXTREME CARE WHEN HANDLING TO AVOID DAMAGING THE OUTER CASING.**

### STEEL MANHATTAN

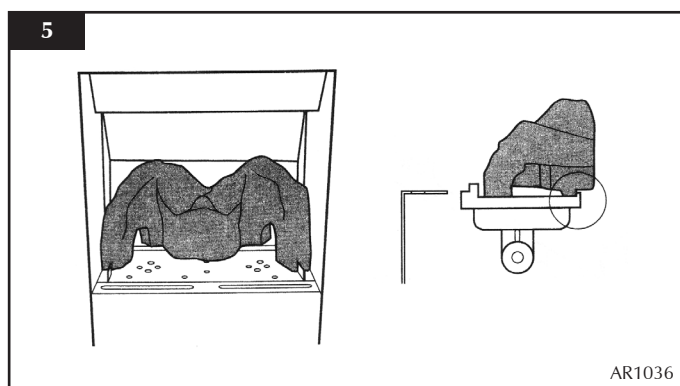
To access the ceramic fuel components it will be necessary to remove the glass door. Lift off the decorative steel trim (see Diagram 3).



Remove the 8 screws holding the glass frame (see Diagram 4).

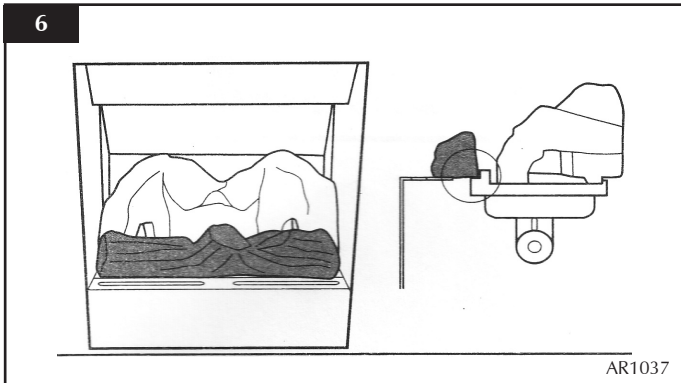


- 8.1 There are four logs, each with an identification letter, A, B, C and D. Log C has an arrow on the underside to indicate its orientation. The arrow points towards the rear of the appliance.
- 8.2 Place the largest log A on the burner with the location legs on the underside against the stops on the rear of the burner skin (see Diagram 5).

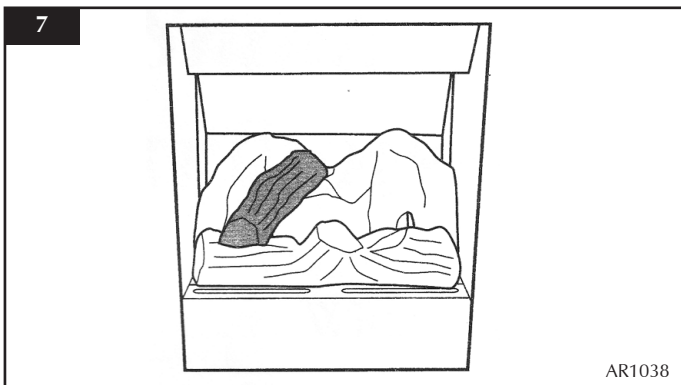


# USER INSTRUCTIONS

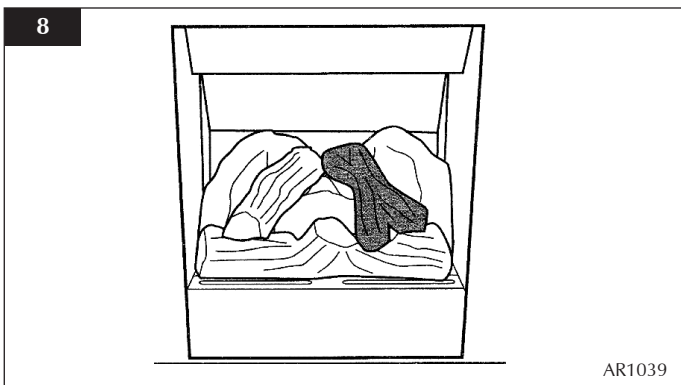
- 8.3 Place the rear face of log B against the stops on the front of the burner skin. The front of the log will rest on the firebox behind the two slots (see Diagram 6).



- 8.4 Place log C with the arrow pointing towards the rear of the appliance. The front of the log will rest in the hollow on the left-hand side of log B. The rear of the log will locate in the left-hand hollow on log A (see Diagram 7).



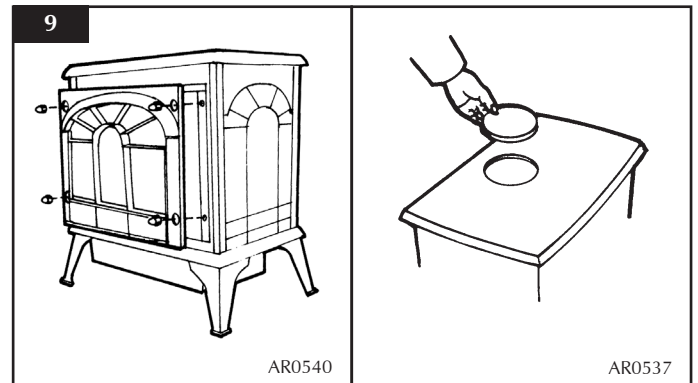
- 8.5 Log D is placed with the Y shaped branch towards the front of the appliance. There is a cutout on the top right hand side of the front log (B). Locate the right hand branch of log D in this cut-out and rest the top of the log in the location of log A (see Diagram 8).



**NOTE: ENSURE THAT LOGS ARE POSITIONED AS DETAILED ABOVE.**

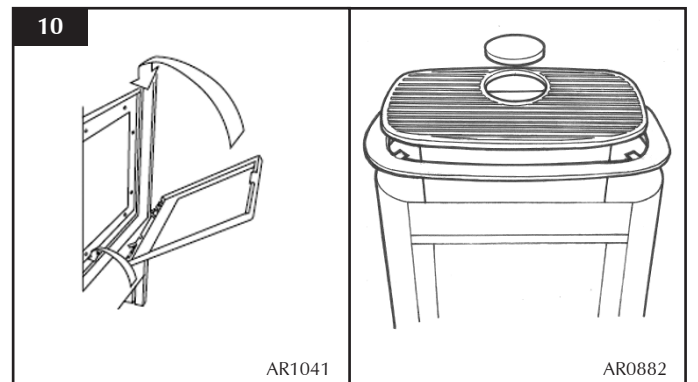
## 8.6 CLARENDON, MARLBOROUGH & STOCKTON

Ensure that the fibreglass seal on the back of the door is intact, locate the door on the four studs and slide back to the firebox. Secure in place using the four brass dome nuts and tool supplied. Do not overtighten the nuts (see Diagram 9).



## 8.7 SMALL STEEL MANHATTAN

Ensure that the fibreglass seal on the back of the door is intact. Replace the glass frame and tighten the eight screws (see Diagram 10).



- 8.8 Replace the decorative steel trim as shown in Diagram 10.

**NEVER OPERATE THE APPLIANCE WHEN THE DOOR IS REMOVED.**

# USER INSTRUCTIONS

## 9. THE FLAME FAILURE DEVICE

- 9.1 This is a safety feature incorporated in all GAZCO appliances which automatically switches off the gas supply if the pilot light goes out and fails to heat the thermocouple.

## 10. 'RUNNING IN'

- 10.1 The surface coating on your GAZCO appliances will "burn off" during the first 24 hour of use, producing a harmless and temporary odour. This will disappear after the short period of use. If the odour persists, ask your installer for advice.

## 11. SERVICING

- 11.1 The appliance must be serviced every 12 months by a qualified Gas Engineer. In all correspondence, always quote the appliance type and serial number, which may be found on the data badge.

## 12. INSTALLATION DETAILS

- 12.1 To assist in any future correspondence, your installer should have completed the commissioning sheet at the front of this manual. This records the essential installation details of this appliance. In all correspondence always quote the Model No. and Serial No.

## 13. HOT SURFACES

- 13.1 Parts of this appliance become hot during normal use. It is therefore recommended that a suitable fire guard be used for protection of young children and the infirm. Indeed, all parts of the appliance should be treated as a working surface except for the control access panel.



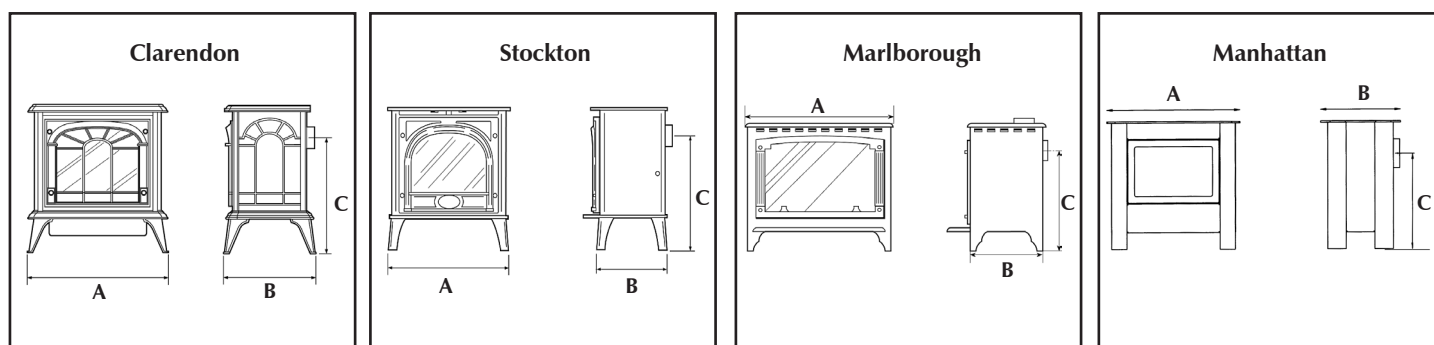
# INSTALLATION INSTRUCTIONS

## TECHNICAL SPECIFICATION

COVERING THE FOLLOWING MODELS:

Clarendon	8538	8562	8562B	8562G	570-199	570-259
	P8538	P8562	P8562B	P8562G	570-477	570-413
Marlborough	8536	Stockton	8540	Manhattan	8622AN	8622BS
	P8536		P8540		8622AN	P8622BS

Model	Gas Cat	Gas Type	Working Pressure	Aeration	Injector	Gas Rate m <sup>3</sup> /h	Input kW (Gross)		Country
							High	Low	
8538 / 8562 / 8536 / 8540 / 8622 (all versions) / 570-199 / 570-259	I <sub>2H</sub>	Natural (G20)	20mbar	9 x 15	225	0.344	3.65	2.25	GB, IE
P8538 / P8562 / P8536 / P8540 / P8622 (all versions) / 570-477 / 570-413	I <sub>3P</sub>	Propane (G31)	37mbar	16 x 23	95	0.135	3.65	2.25	GB, IE
Rear Exit flue	Wall Thickness	MIN	200mm	MAX	590mm				
Efficiency Class II Flue outlet Size $\varnothing$ 100mm / $\varnothing$ 152mm Gas Inlet Connection Size 8mm $\varnothing$									



### Packing Checklist

**Qty Description**

- 1 Stove
- 1 Flue Blanking plate
- 1 Coal Retainer
- 1 4 Logs
- 1 Fixing Kit Containing:
  - 1 Instruction Manual
  - 1 Wood Screw
  - 1 Wall plug
  - 1 Box spanner

	Clarendon	Marlborough	Stockton	Manhattan
A	730mm	658mm	710mm	540mm
B	420mm	350mm	350mm	360mm
C	430mm	370mm	370mm	425mm

# INSTALLATION INSTRUCTIONS

## SITE REQUIREMENTS

### 1. FLUE AND CHIMNEY REQUIREMENTS

**NOTE: This appliance can only be installed in conjunction with the flue supplied.**

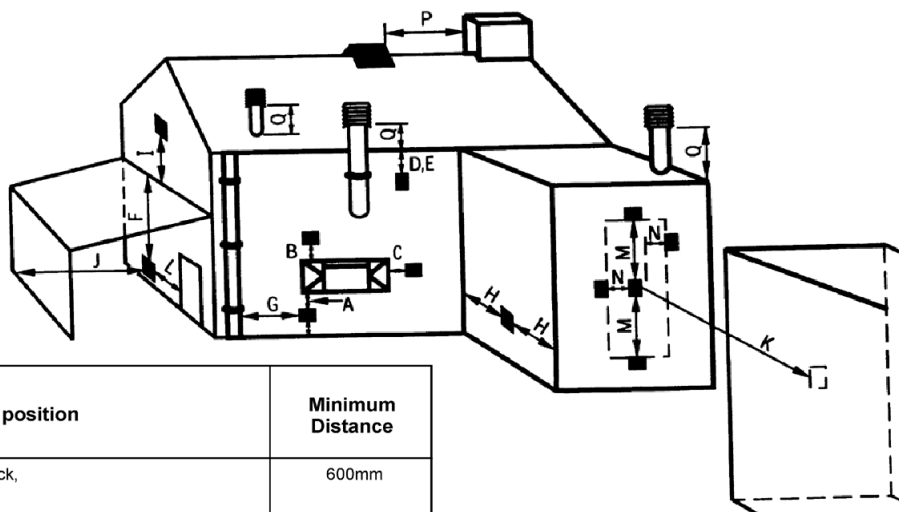
- 1.1 The flue must be sited in accordance with BS5440: Part 1 (latest edition) (see Diagram 1).
- 1.2 Any terminal which is less than 2 metres above any access (level ground, balcony or above a flat roof to which people have access), is to be fitted with the guard.
- 1.3 All vertical and horizontal flues must be securely fixed and fire precautions followed in accordance with local and national codes of practice.
- 1.4 A restrictor may be required. Refer to Technical Specifications on previous page.

### 2. TIMBER FRAMED BUILDINGS

- 2.1 It will be necessary to provide additional clearance when the appliance passes through a wall containing any combustible materials so as to prevent a fire hazard.
- 2.2 The hole through which the flue will pass, must have a steel sleeve which is positioned so that an air gap of at least 25mm is maintained between the outer surface of the flue, and any part of the sleeve.
- 2.3 For further guidance on the installation of gas appliances in timber framed buildings, contact your local buildings control authority.

**NOTE: ATTENTION MUST BE GIVEN TO ALLOWING ADEQUATE CLEARANCE AT THE SIDES AND REAR OF THE APPLIANCE, TO PROVIDE ACCESS FOR SERVICING.**

1



Dimension	Terminal position	Minimum Distance
A*	Directly below an opening, air brick, opening windows, etc.	600mm
B*	Above an opening, air brick opening windows, etc.	300mm
C*	Horizontally to an opening, air brick opening windows etc.	400mm
D	Below gutters, soil pipes or drain pipe	300mm
E	Below eaves	300mm
F	Below balconies or car port roof	600mm
G	From a vertical drain pipe or soil pipe	300mm
H	From an internal or external corner	600mm
I	Above group roof or balcony level	300mm
J	From a surface facing the terminal (also see 6.1.2)	600mm
K	From a terminal facing the terminal	600mm
L	From an opening in the car port (e.g. door, window) into the dwelling	1200mm
M	Vertically from a terminal on the same wall	1500mm
N	Horizontally from a terminal on the same wall	300mm
O	From the wall on which the terminal is mounted	N/A
P	From a vertical structure on the roof	600mm
Q	Above intersection with roof	300mm

\* In addition, the terminal should not be nearer than 300mm to an opening in the building fabric formed for the purpose of accommodating a built-in element such as a window frame

AR0602

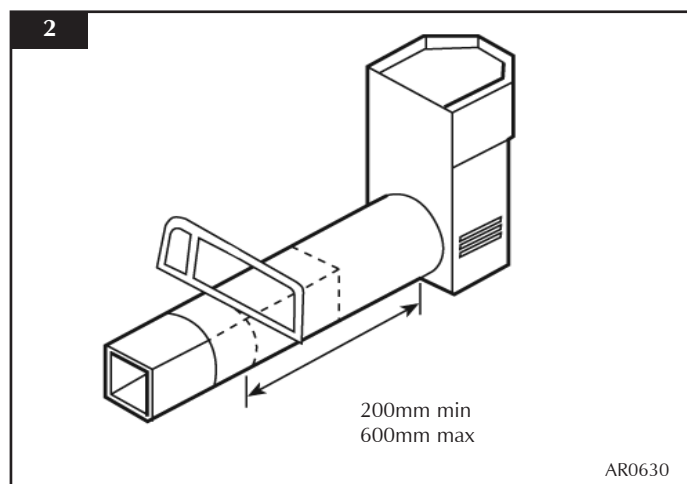
# INSTALLATION INSTRUCTIONS

## SITE REQUIREMENTS

### 3. REAR FLUE 8526

#### 3.1 Terminal dimensions:

- 395 x 200 x 200 mm (H x W x D)
- Cut to length as required on site
- Guard supplied



### 4. VENTILATION

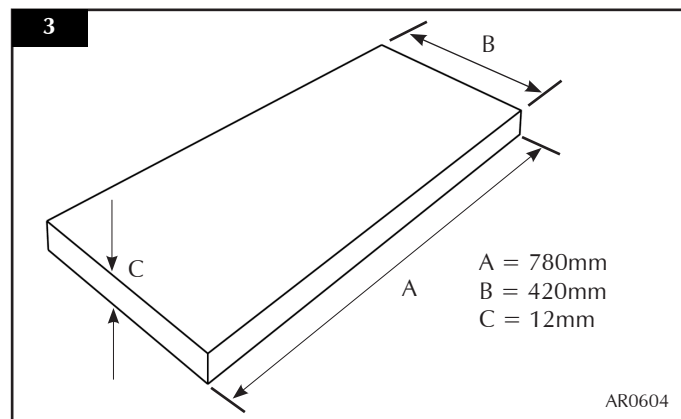
The appliance requires no additional ventilation.

### 5. INSTALLATION OF THE GAS SUPPLY

- 5.1 Before installation, ensure that the local distribution conditions (identification of the type of gas and pressure) and the adjustment of the appliance are compatible.
- 5.2 Ensure that the gas supply is capable of delivering the required amounts of gas, and is in accordance with the rules in force.
- 5.3 Soft copper tubing and soft soldered joints can be used but must not be closer than 50mm (2") to the underside of the firebox.
- 5.4 A means of isolating the gas supply to the appliance must be provided independent of any appliance control.
- 5.5 All supply gas pipes must be purged of any debris that may have entered, prior to connection to the appliance.

### 6. APPLIANCE LOCATION

- 6.1 This appliance must stand on a non-combustible hearth that is at least 12mm thick and projects 50mm minimum from the base of the appliance in all directions.

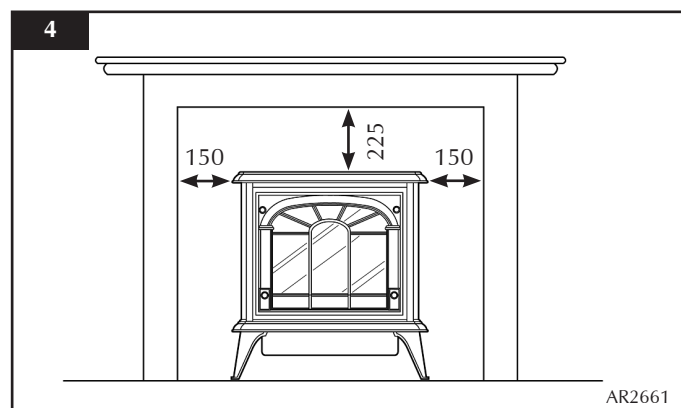


- 6.2 This appliance must be installed on an external wall.

#### MINIMUM CLEARANCE

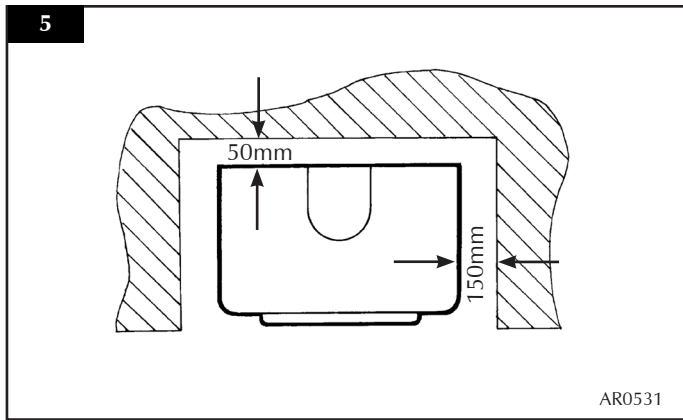
- 6.3 The appliance is not suitable for installation against a combustible wall. All combustible materials must be removed from behind the appliance.
- 6.4 **Ensure that all minimum clearances to combustible materials are complied with as shown in Diagrams 4 & 5.**

The specified clearances provide the minimum distance to combustible materials. If the appliance is intended to be installed into a non-combustible opening the clearance to the **sides and above** the appliance can be reduced. However, it is recommended that the specified clearances are maintained irrespective of the materials used in the construction of the opening to allow adequate air flow and access to controls. **The clearance at the rear of the appliance must always be a minimum of 50mm.**



# INSTALLATION INSTRUCTIONS

## SITE REQUIREMENTS



- 6.5 The above dimensions provide adequate clearance at the side and rear of the appliance so that the controls can be reached and a spillage test performed where applicable.

# INSTALLATION INSTRUCTIONS

## INSTALLATION

**IMPORTANT: ENSURE THAT THE APPLIANCE IS CORRECTLY ADJUSTED FOR THE GAS TYPE AND CATEGORY APPLICABLE IN THE COUNTRY OF USE. REFER TO DATA BADGE AND TECHNICAL SPECIFICATIONS OF THIS BOOKLET**

**FOR DETAILS OF CHANGING BETWEEN GAS TYPES REFER TO SECTION 10, REPLACING PARTS.**

**IMPORTANT: ALWAYS WEAR THE GLOVES PROVIDED WHEN HANDLING AN IVORY PAINTED APPLIANCE.**

### 1. CONTROL UPGRADE

- 1.1 The appliance is fitted with a control valve that can be upgraded to support a battery powered remote control. Two types of remote control can be obtained through your local Gazco stockist.
- 1.2 This upgrade can be fitted before or after installation, but, if side clearances are limited, it will be easier to upgrade the appliance before installation. Full instructions are included with the kit.
- 1.3 The **Standard Remote Control (Gazco Part No. 8455)** controls the gas appliance after the pilot is lit so you can regulate the main burner through its range of settings and turn the burner off leaving just the pilot lit.
- 1.4 The **Thermostatic and Timer Remote Control (Gazco Part No. 8456)** controls the appliance after the pilot is lit using three modes:
  - Manual Mode – used to turn the burner on and off and regulate it through its range of settings.
  - Auto Mode – used to turn the burner on and off and regulate the heat to a pre-set temperature.
  - Timer Mode – used to turn the burner on and off at two pre-set times and regulate the heat to a pre-set temperature during those periods.

### 2. SAFETY PRECAUTIONS

- 2.1 This appliance must be installed in accordance with the rules in force, and used only in a sufficiently ventilated space. Please read these instructions before installation and use of this appliance.
- 2.2 These instructions, must be left intact with the user.
- 2.3 Do not attempt to burn rubbish on this appliance.
- 2.4 In your own interest, and those of safety, this appliance must be installed by a competent person in accordance with local and national codes of practice. Failure to install the appliance correctly could lead to prosecution.
- 2.5 Keep all plastic bags away from young children.

- 2.6 Do not place any object on, or near to the appliance. Allow adequate clearance above the appliance.

**IF THE APPLIANCE IS EXTINGUISHED OR GOES OUT IN USE, WAIT 3 MINUTES BEFORE ATTEMPTING TO RELIGHT THE APPLIANCE.**

### 3. INSTALLATION OF THE APPLIANCE

**NOTE: THE CAST IRON DOOR IS HEAVY, TAKE EXTREME CARE WHEN HANDLING TO AVOID DAMAGING THE OUTER CASING.**

Remove the outer sleeve and associated packaging from the appliance. The ceramic logs are located behind the door. Remove the cast iron door using the tool provided. Remove the box and place in a safe location.

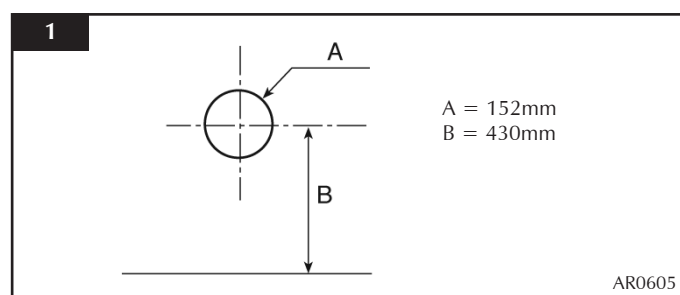
**REFER TO SITE REQUIREMENTS SECTION FOR FLUE OPTIONS.**

The appliance is suitable for rear flue exit only.

#### 3.1 REAR EXIT FLUE

WALL THICKNESS	MIN	200mm	MAX	600mm
----------------	-----	-------	-----	-------

- 3.1.1 Remove the adjustable flue assembly and terminal guard from the box. Take care not to lose the fixings.
- 3.1.2 Decide on the final appliance position and ensure that all external flue terminal clearances are complied with (see Site Requirements, Section 1). Mark the centre line of the appliance on the wall and mark the height from the top of the hearth to the centre of the flue (see Diagram 1).



**TAKE CARE WHEN MARKING OUT FOR THE FLUE. IT IS DIFFICULT TO MOVE AFTER INSTALLATION.**

- 3.1.3 A 152mm (6") diameter hole is required to install the flue. This can be achieved using either:

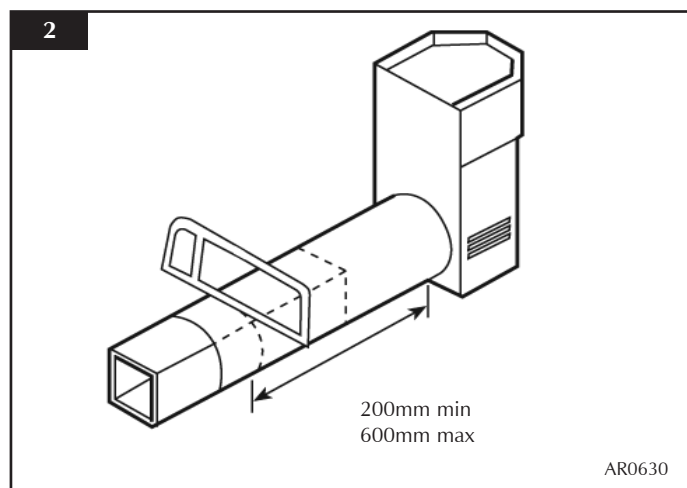
- a) Core Drill
- b) Hammer & Chisel

It is advisable to drill small holes around the circumference when using method b). Make good at both ends of the hole.

# INSTALLATION INSTRUCTIONS

## INSTALLATION

3.1.4 To set the flue length, measure the total wall thickness, then add 65mm. This total flue length will give the minimum clearance of 50mm between the rear of the appliance and the wall. To cut the flue to length using a hacksaw, first insert the square cardboard fitment into the flue. This will support the inner flue. Cut through the flue and fitment (see Diagram 2).



**ENSURE THE REMAINING CARDBOARD IS REMOVED FROM THE FLUE.** File the cut edges of the flue smooth.

3.1.5 From outside, locate the flue assembly into the hole until the terminal is flat against the wall. Ensure the terminal is vertical. **NOTE THE ORIENTATION OF THE TERMINAL, Diagram 2.**

Mark the four fixing holes, remove the terminal, drill the holes and insert the wall plugs supplied (see Diagram 3).

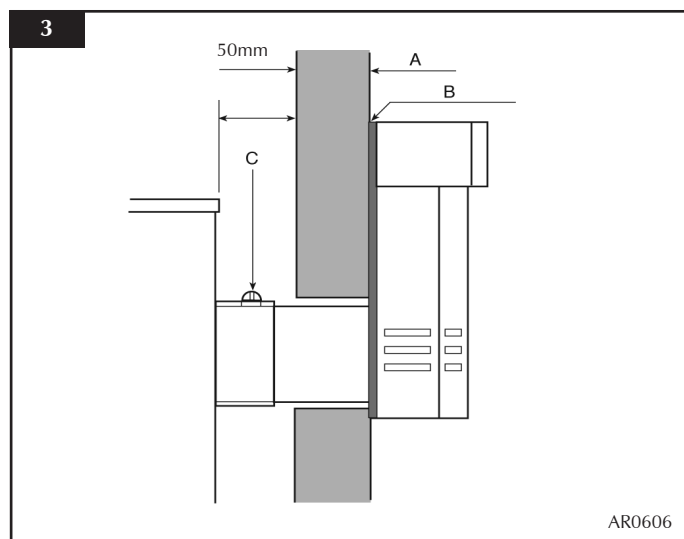
**DO NOT FIX THE FLUE AT THIS STAGE**

3.1.6 Position the appliance ensuring all appropriate clearances are observed.

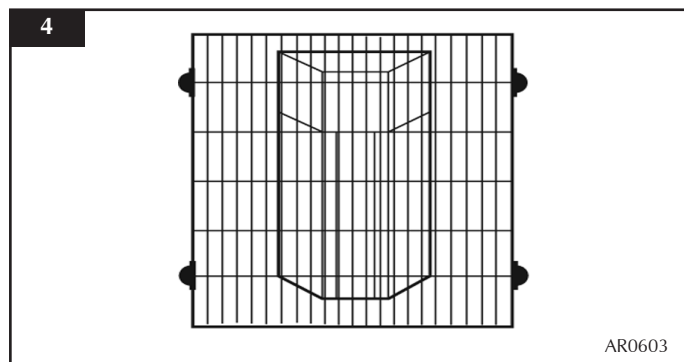
3.1.7 Before fixing the flue in the wall, apply a bead of suitable weatherproof sealant (silicone or similar) around the perimeter of the back face of the terminal (see Diagram 3, B).

3.1.8 Feed the flue through the wall ensuring it travels smoothly. Working from inside, engage the flue in the inner and outer spigots, making sure the rubber seals on the spigots are not damaged.

From the outside, insert the four screws in the flanges of the flue terminal ensuring the sealant has formed a water tight joint to the wall.



3.1.9 Any terminal which is less than 2 meters above any access (level ground, balcony or above a flat roof to which people have access) is to be fitted with the guard supplied (see Diagram 4).



### 3.2 STEEL MANHATTAN STOVE ASSEMBLY

Open the second carton and carefully:

3.2.1 Remove the steel casing components.

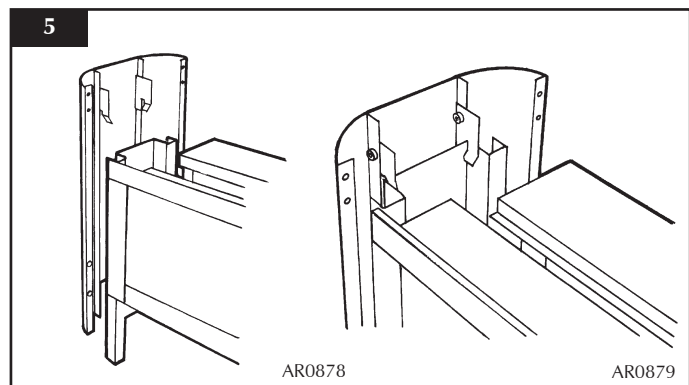
Remove the protective plastic coating from the two side assemblies.

3.2.2 Attach the four lugs to the front side of each panel and lower them onto the engine assembly until the tabs locate as shown.

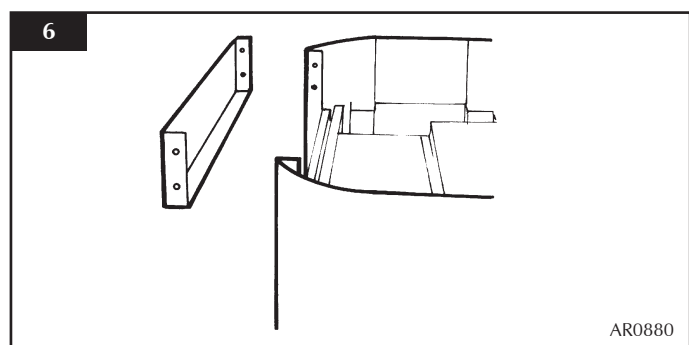
# INSTALLATION INSTRUCTIONS

## INSTALLATION

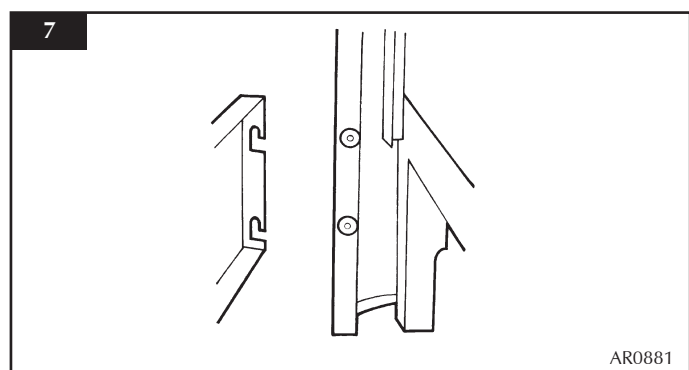
3.2.3 Check the feet are touching the hearth (see Diagram 5).



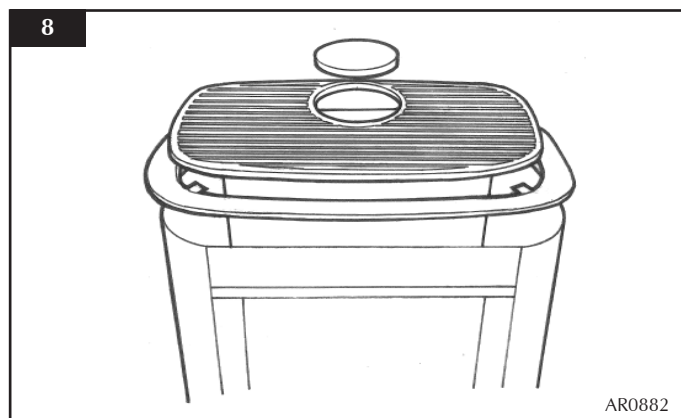
3.2.4 Secure the upper front panel using the 4 nuts and bolts provided (see Diagram 6).



3.2.5 Locate the lower panels onto the lugs as shown (see Diagram 7).



3.2.6 Place the steel top onto the casing so that the 2 lugs on the underside locate the top centrally within the casing. Place the cast iron grille into the recess in the centre of the top panel and locate the blanking plate into the grill (if required).



### 4. HANDLING & DISPOSAL OF FIRE CERAMICS

The fuel effect and side panels in this appliance are made from Refractory Ceramic Fibre (RCF), a material which is commonly used for this application. Protective clothing is not required when handling these articles, but we recommend you follow normal hygiene rules of not smoking, eating or drinking in the work area and always wash your hands before eating or drinking. To ensure that the release of RCF fibres are kept to a minimum, during installation and servicing a HEPA filtered vacuum is recommended to remove any dust accumulated in and around the appliance before and after working on it. When servicing the appliance it is recommended that the replaced items are not broken up, but are sealed within heavy duty polythene bags and labelled as RCF waste. RCF waste is classed as stable, nonreactive hazardous waste and may be disposed of at a licensed landfill site. Excessive exposure to these materials may cause temporary irritation to eyes, skin and respiratory tract; wash hands thoroughly after handling the material.

### 5. FUEL BED ARRANGEMENTS

#### CLARENDON, MARLBOROUGH & STOCKTON

The major ceramic components can be found inside the firebox:

- Remove the cast iron door using the tool provided
- Remove all protective packaging from the ceramic parts

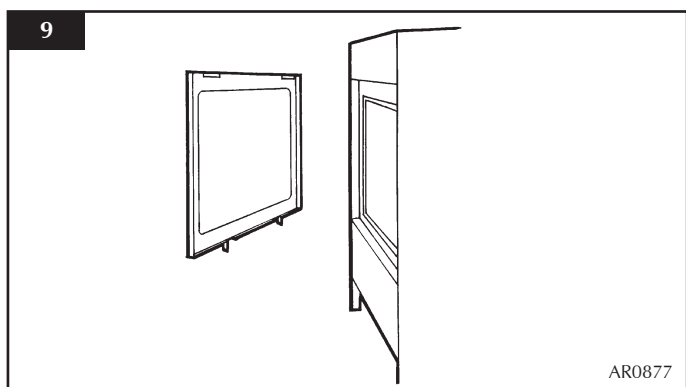
**NOTE: THE CAST IRON DOOR IS HEAVY, TAKE EXTREME CARE WHEN HANDLING TO AVOID DAMAGING THE OUTER CASING.**

# INSTALLATION INSTRUCTIONS

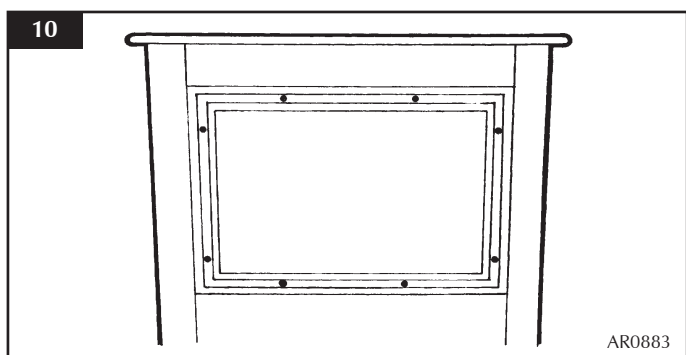
## INSTALLATION

### STEEL MANHATTAN

To access the ceramic fuel components it will be necessary to remove the glass door. Lift off the decorative steel trim (see Diagram 9).

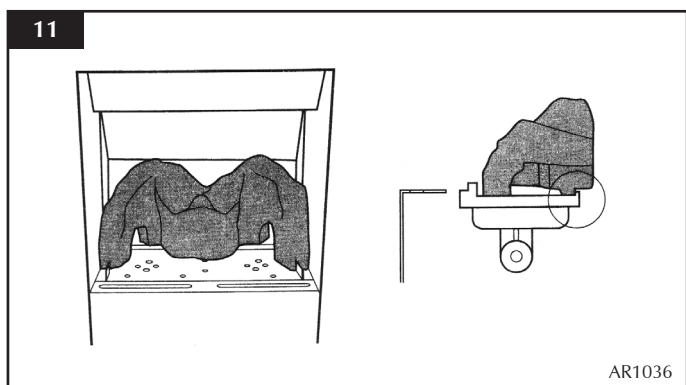


Remove the 8 x screws holding the glass frame (see Diagram 10).

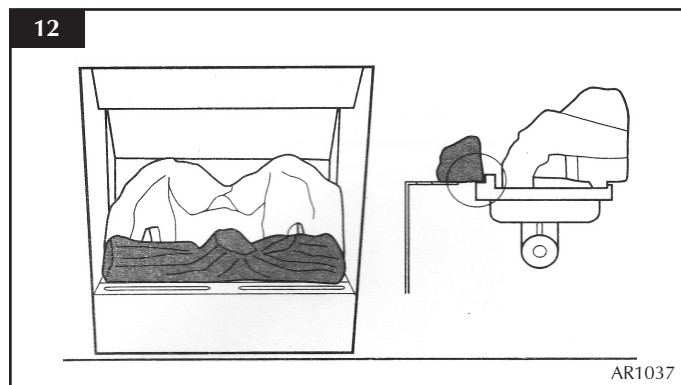


5.1 There are four logs, each with an identification letter, A, B, C and D. Log C has an arrow on the underside to indicate its orientation. The arrow points towards the rear of the appliance.

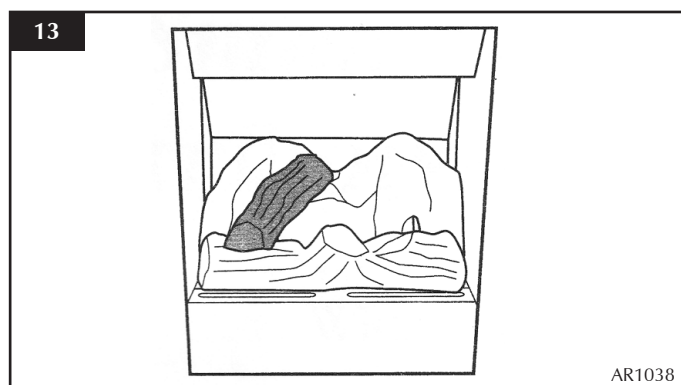
5.2 Place the largest log A on the burner with the location legs on the underside against the stops on the rear of the burner skin (see Diagram 11).



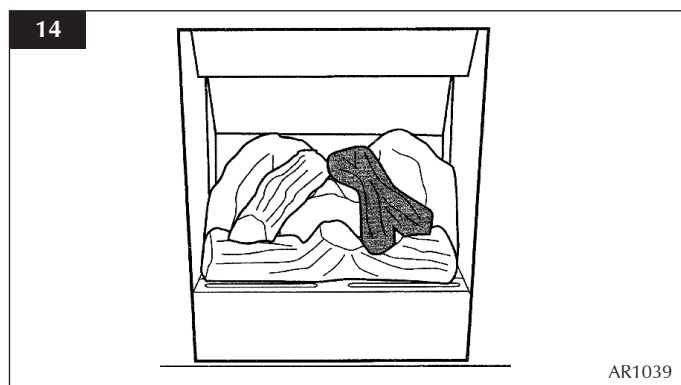
5.3 Place the rear face of log B against the stops on the front of the burner skin. The front of the log will rest on the firebox behind the two slots (see Diagram 12).



5.4 Place log C with the arrow pointing towards the rear of the appliance. The front of the log will rest in the hollow on the left-hand side of log B. The rear of the log will locate in the left-hand hollow on log A, (see Diagram 13).



5.5 Log D is placed with the Y shaped branch towards the front of the appliance. There is a cutout on the top right hand side of the front log (B). Locate the right hand branch of log D in this cut-out and rest the top of the log in the location of log A (see Diagram 14).



**NOTE: ENSURE THAT LOGS ARE POSITIONED AS DETAILED ABOVE.**

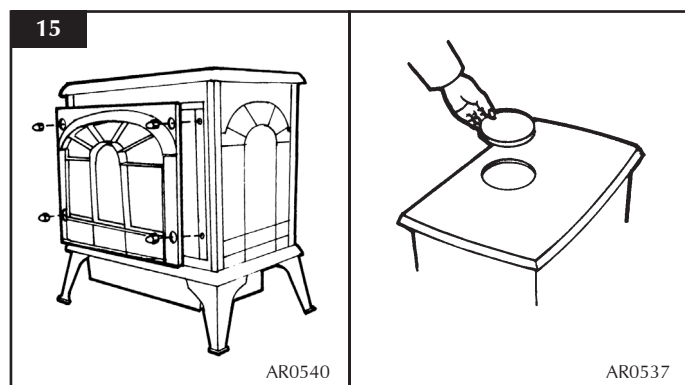


# INSTALLATION INSTRUCTIONS

## INSTALLATION / COMMISSIONING

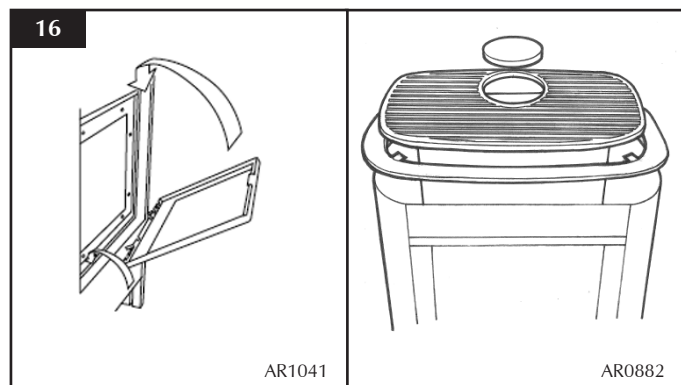
### 5.6 CLARENDON, MARLBOROUGH & STOCKTON

Ensure that the fibreglass seal on the back of the door is intact, locate the door on the four studs and slide back to the firebox. Secure in place using the four brass dome nuts and tool supplied (see Diagram 15). Do not overtighten the nuts.



### 5.7 SMALL STEEL MANHATTAN

Ensure that the fibreglass seal on the back of the door is intact. Replace the glass frame and tighten the eight screws (see Diagram 16).



5.8 Replace the decorative steel trim as shown in Diagram 16.

**NEVER OPERATE THE APPLIANCE WHEN THE DOOR IS REMOVED.**

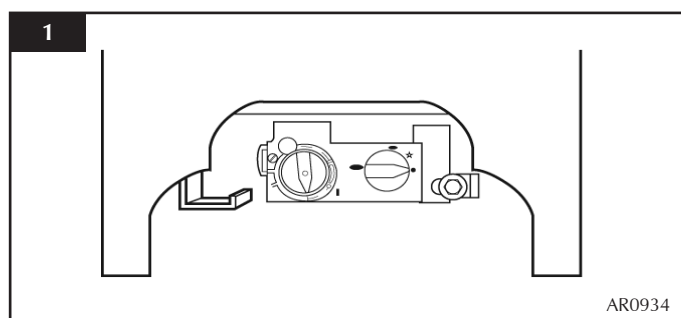
## 6. LIGHTING

6.1 Full instructions are given in the User section under Lighting the Appliance.

## 1. COMMISSIONING

### After connecting the gas pipe to the appliance:

- 1.1 PURGE THE SUPPLY PIPE to dispel any debris that might block the controls.
- 1.2 Connect the gas supply to the 8mm compression elbow at the right-hand rear corner of the appliance (see Diagram 1).



- 1.3 Connect a suitable pressure gauge to the test point on the inlet fitting.
- 1.4 Turn on the gas supply.
- 1.5 Light the appliance and check all gas joints for leaks.
- 1.6 Turn the appliance to maximum to check the supply pressure corresponds with the data badge information.
- 1.7 Turn the gas off.
- 1.8 Replace the test point screw.
- 1.9 Turn the gas on.
- 1.10 Check the test point for leaks.

### To finish commissioning:

- 1.11 Check the appliance complies with all local regulations.
- 1.12 Check all seals are in good condition.
- 1.13 Complete the *Appliance Commissioning Checklist* on page 3.
- 1.14 Show the user how to operate the appliance.
- 1.15 Hand the completed instructions to the User for safe keeping. The information is required when making any guarantee claims.

# SERVICING INSTRUCTIONS

## SERVICING / FAULT FINDING CHARTS

### 1. SERVICING REQUIREMENTS

**IMPORTANT** – The glass panel on this appliance should be checked for any signs of damage on the front face of the glass panel (scratches, scores, cracks or other surface defects). If damage is observed, the glass panel must be replaced and the appliance must not be used until a replacement is installed. Under no circumstances should the appliance be used if any damage is observed. Please isolate the appliance until a replacement glass panel has been obtained and installed. Replacement glass panels can be purchased from Gazco via the dealer from which the appliance was purchased or any other Gazco distributor.

This appliance must be serviced at least once a year by a competent person.

All tests must be carried out in accordance with the current Gas Safe recommendations.

#### 1.1 Before Testing:

- Conduct a gas soundness test for the property ensuring there are no leaks before servicing.
- Check the operation of the appliance before testing.

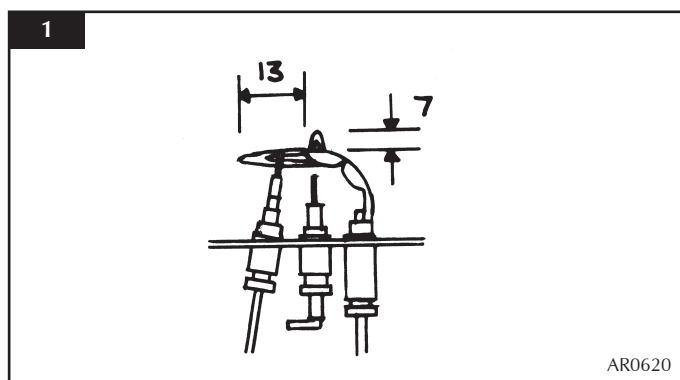
#### 1.2 Special checks:

- Clean away lint or fluff from the pilot.
- Clean away lint or fluff from under the burner.
- Check the spark gap on the pilot is correct.

#### 1.3 Correct any faults found during the initial test.

#### 1.4 Re-commission the appliance in accordance with Commissioning Procedures as detailed on page 17 of these instructions.

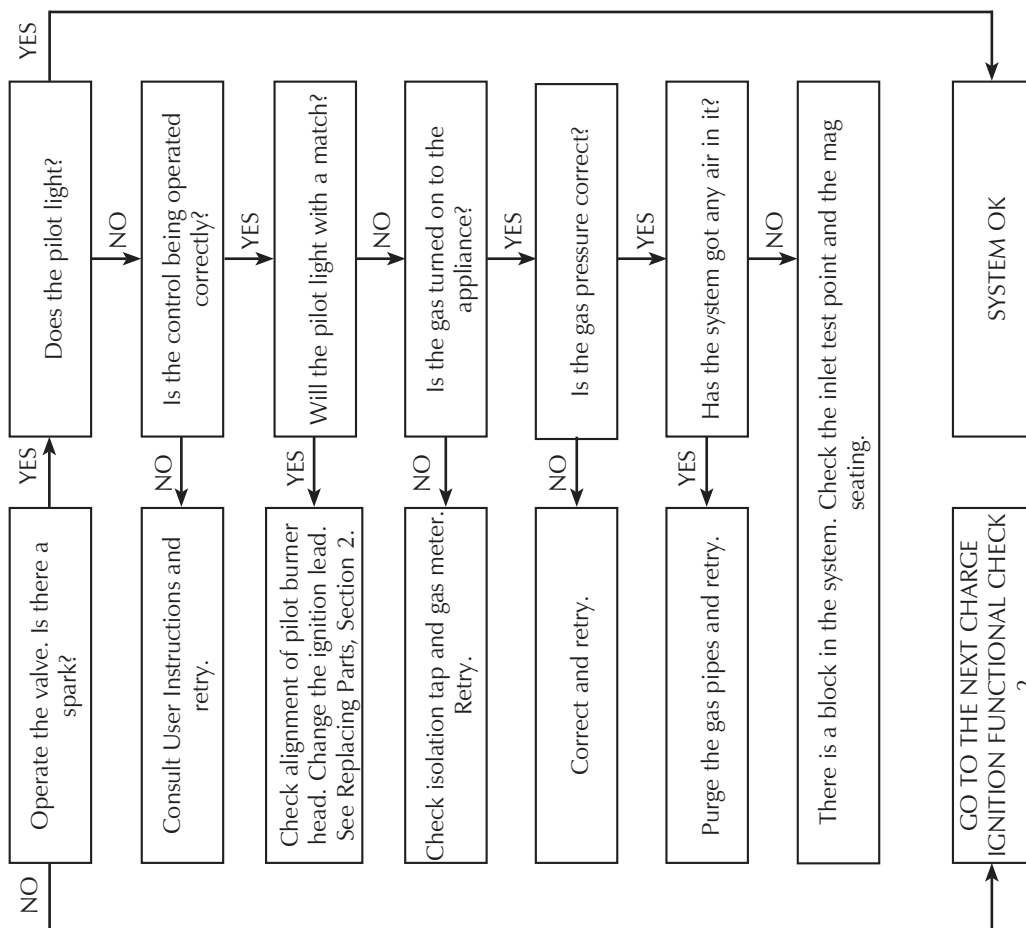
#### 1.5 Advise the customer of any remedial work undertaken.



### IGNITION FUNCTIONAL CHECK 1

PILOT WILL NOT LIGHT

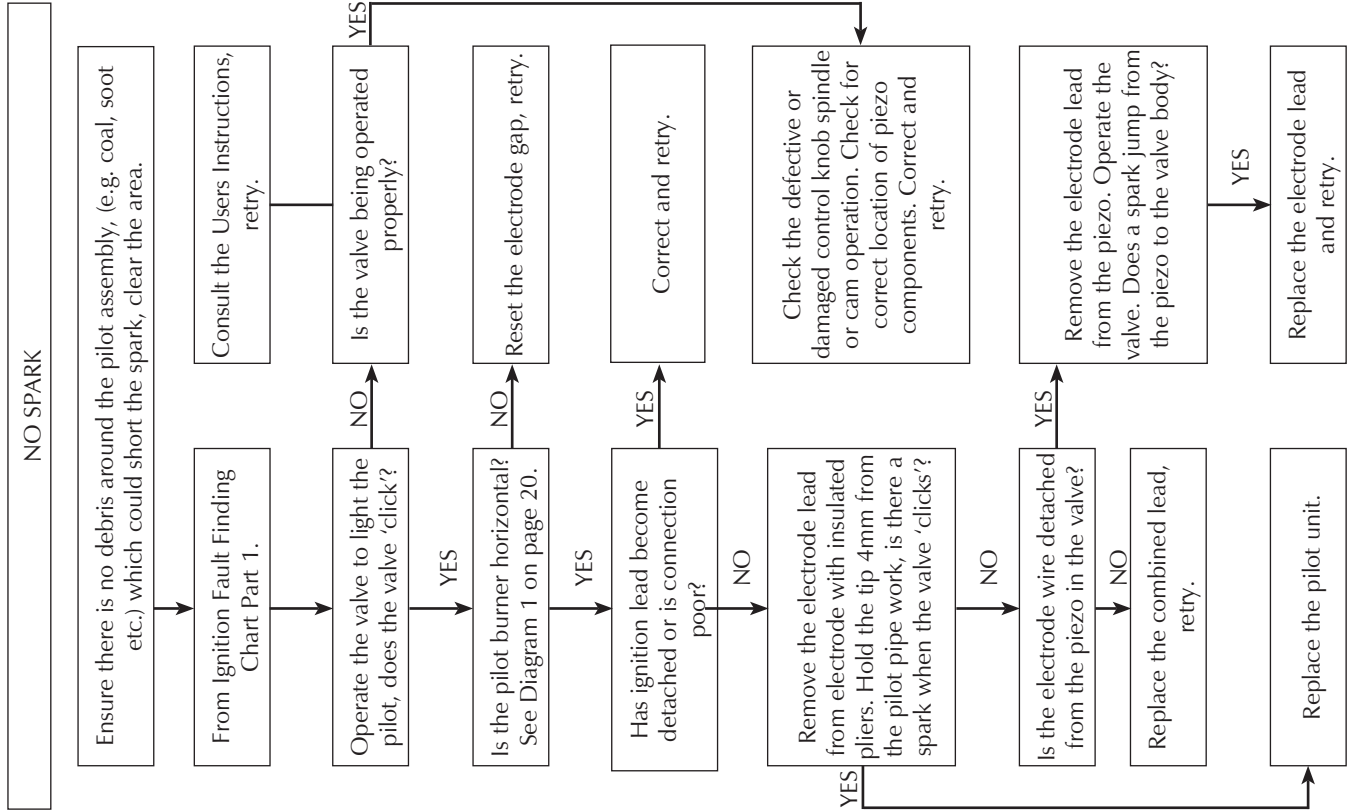
Ensure there is no debris around the pilot assembly, (e.g. soot, etc.) which could short the spark. Clean the area.



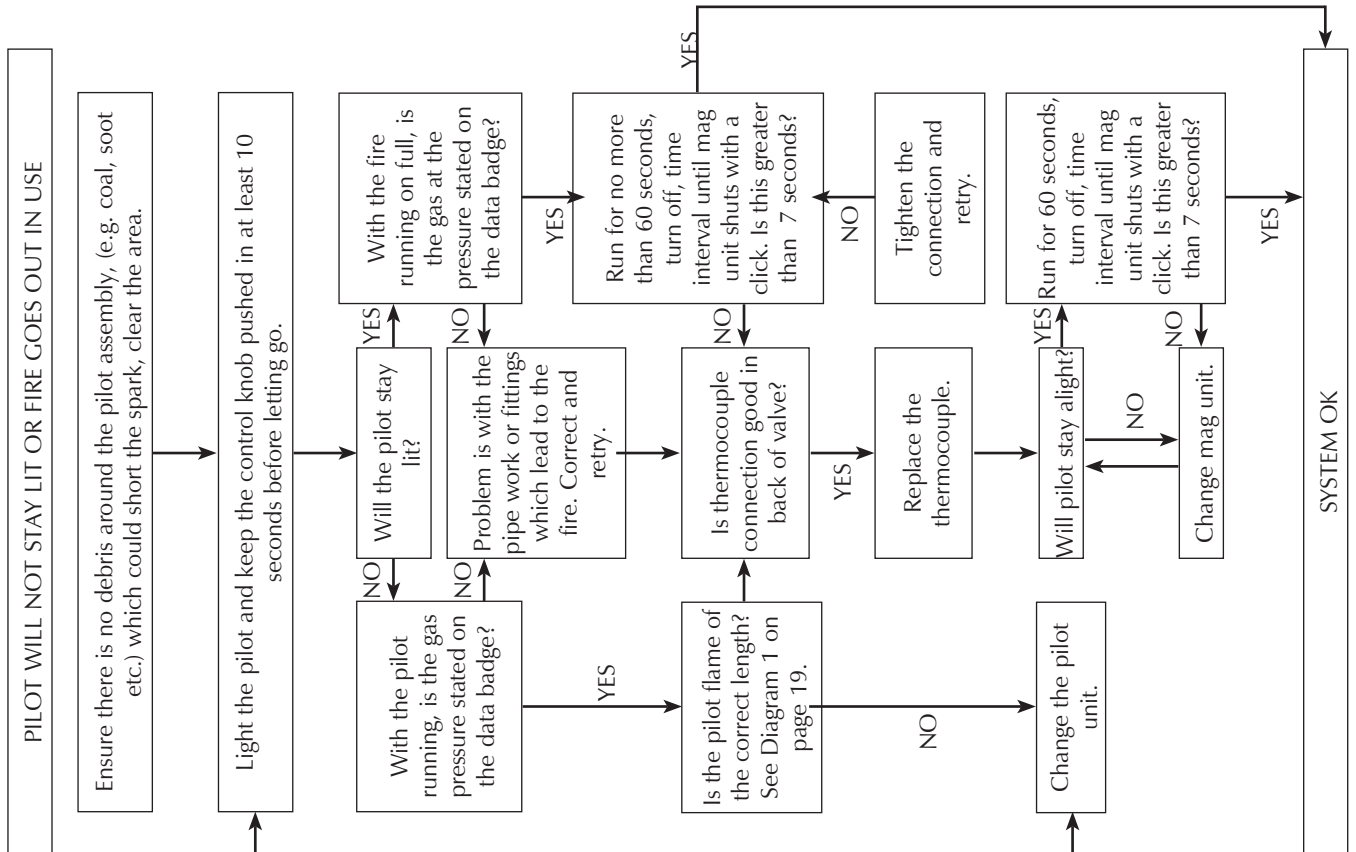
# SERVICING INSTRUCTIONS

## SERVICING / FAULT FINDING CHARTS

### IGNITION FUNCTIONAL CHECK 2



### FLAME FAILURE FUNCTIONAL CHECK 3



# SERVICING INSTRUCTIONS

## REPLACING PARTS

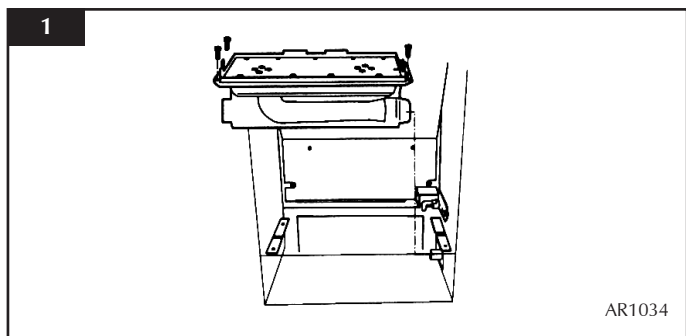
### 1. GENERAL

**IMPORTANT: ALWAYS WEAR THE GLOVES PROVIDED WHEN HANDLING AN IVORY PAINTED APPLIANCE.**

- 1.1 All principal components can be replaced without removing the appliance from its installation, although it is essential that the gas supply to the appliance is turned off at the isolation device before proceeding further.
- 1.2 If, for any reason, the flue has to be removed from the appliance, the seals must be replaced.

### 2. MAIN BURNER

- 2.1 Turn the gas supply off at the isolation device, remove the door and place to one side, carefully remove the ceramic fuel bed components.
- 2.2 Remove the three securing screws, two at the rear and one at the front left hand side (see Diagram 1). Raise the left hand side of the burner to clear the bracket, draw the left hand side forward. The burner venturi is engaged over the injector. When removing the burner be sure to clear the injector, this will release the right hand side of the burner. Take care when removing the burner so as not to damage the pilot burner.



- 2.3 To replace the burner, engage the venturi over the injector ensuring the burner sits on top of the fixing bracket. Push the burner to the right and whilst holding, insert the three fixing screws.

**NOTE: BEFORE REPLACING THE BURNER, ENSURE THE SILICONE SEAL AROUND THE INJECTOR IS INTACT AND CHECK THAT VENTURI COVER IS ATTACHED.**

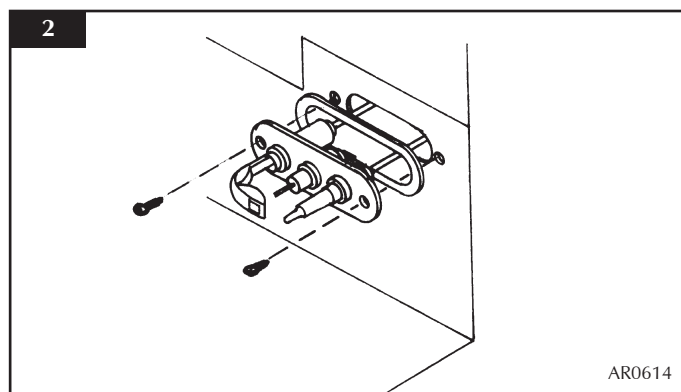
### 3. PILOT UNIT

The pilot assembly consists of five components, which can be individually changed, these are:

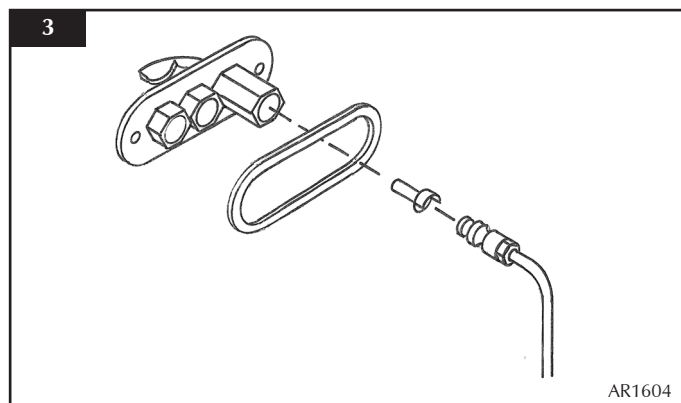
- 1) Pilot burner bracket
- 2) Pilot injector
- 3) Electrode
- 4) Thermocouple
- 5) Gasket.

- 3.1 Turn the gas supply off at the isolation device, remove the door and place to one side, carefully remove the ceramic fuel bed components.
- 3.2 Remove the two fixing screws from the pilot bracket (see Diagram 2). Gently draw the assemble away from the firebox to give access to the nuts and ignition lead.

**NOTE: TAKE CARE NOT TO DAMAGE THE GASKET.**



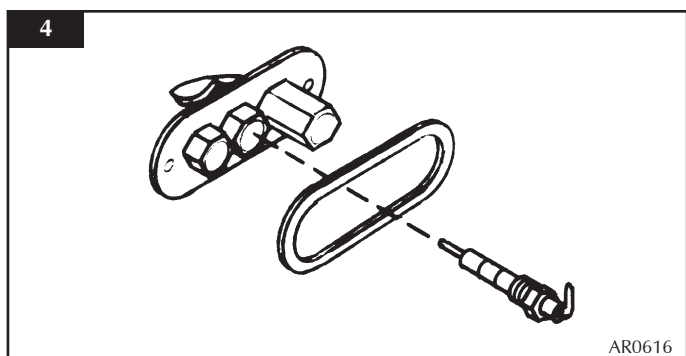
- 3.3 To remove the pilot injector, undo the compression nut on the pilot feed pipe and withdraw the injector which will be hooked onto the olive. When replacing an injector always make sure it is hooked onto the olive before inserting it into the pilot burner (see Diagram 3).



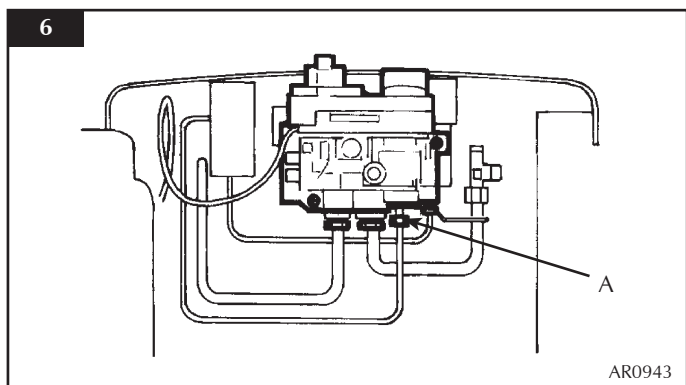
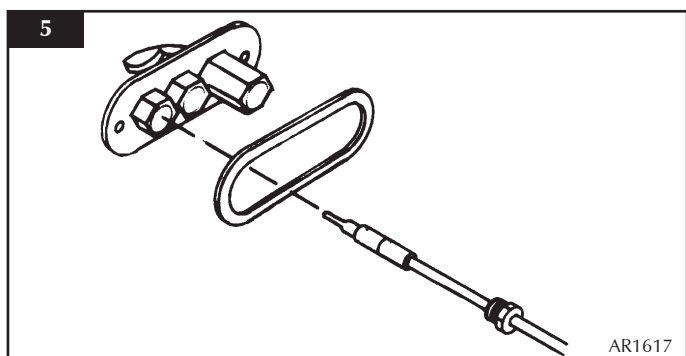
- 3.4 To remove the electrode, disconnect the ignition lead and undo the retaining nut. The electrode can now be removed, note the orientation of the electrode terminal when reassembling (see Diagram 4).

# SERVICING INSTRUCTIONS

## REPLACING PARTS



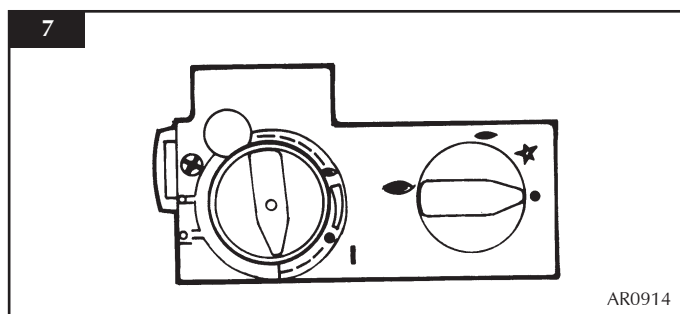
- 3.5 To remove the thermocouple, undo the retaining nut and withdraw the thermocouple (see Diagram 5). Undo the thermocouple from the back of the gas valve (see Diagram 6, arrow A). Reassemble in reverse order. Do not overtighten.



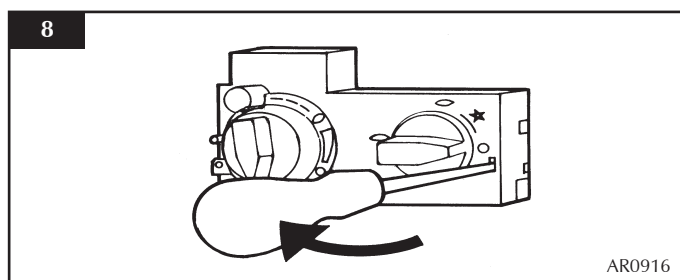
- 3.6 To remove the gasket, disconnect all the above components and withdraw the gasket. If it is damaged, replace with a new item. Always replace the gasket first when reassembling the pilot components.

### 4. IGNITION LEAD

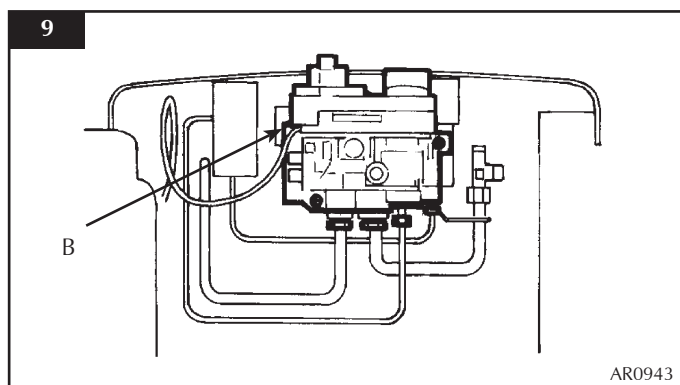
- 4.1 Gain access to the back of the pilot assembly, see Section 3 above and disconnect the ignition lead from the electrode.
- 4.2 Undo the single screw that secures the left hand side of the control cover (see Diagram 7).



- 4.3 To release the right hand side of the control cover, insert the narrow blade screwdriver into the slot shown in Diagram 8. Lever it gently and pull from the right hand side at the same time. The cover will now come off, there is a small cylindrical metal spacer inside the cover, this must be kept and replaced on the fixing screw during reassembly.



- 4.4 Disconnect the end of the ignition lead from the valve body (see Diagram 9, Arrow B). Note the existing route of the ignition lead.



- 4.5 Replace with a new ignition lead following the same route as the old one. Replace the valve cover and the pilot assembly.
- 4.6 Check the operation of the new ignition lead.

### 5. PIEZO

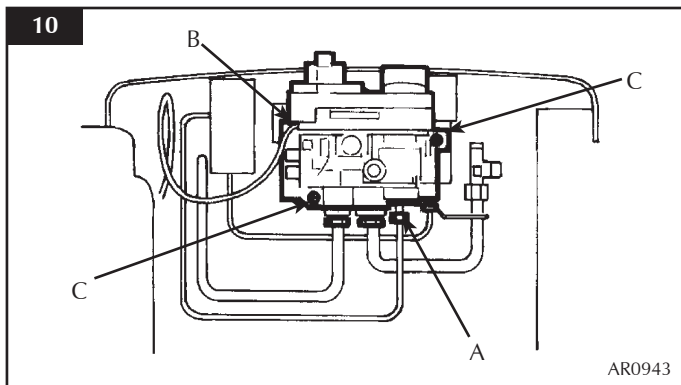
- 5.1 The piezo assembly used on this appliance is not serviceable and is unlikely to fail.

# SERVICING INSTRUCTIONS

## REPLACING PARTS

### 6. GAS VALVE

- 6.1 Turn the gas supply off at the isolation device.
- 6.2 Disconnect the 2 x 8mm and 1 x 4mm gas pipe fittings at the back of the gas valve and also disconnect the thermocouple (see Diagram 10, Arrow A).
- 6.3 Remove the control valve cover and disconnect the ignition lead from the gas valve, see section 4.
- 6.4 Undo the two bolts securing the gas valve to the appliance and remove the valve (see Diagram 10, Arrow C).
- 6.5 Replace in reverse order.
- 6.6 Check all joints for gas leaks, check the operation of the thermocouple and ignition lead.



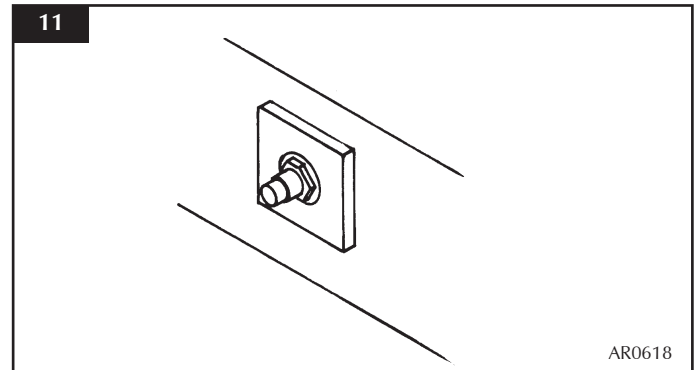
### 7. MAGNETIC SAFETY VALVE

- 7.1 Turn the gas supply off at the isolation device. Undo the thermocouple connection from the back of the gas valve.
- 7.2 Undo the mag valve retaining nut at the back of the control valve, gently tap out the mag valve and replace with a new unit. Replace the retaining nut and tighten (see Diagram 11, Arrow A).
- 7.3 Secure the thermocouple in the rear of the gas control. Do not over tighten. Turn the gas supply on and check the entire pipe work and valve joints for any leaks.

### 8. MAIN INJECTOR

- 8.1 Turn the gas supply off at the isolation device. Refer to Replacing Parts, Section 2, to remove the main burner.
- 8.2 Undo the compression nut from the feed pipe at the gas control under the appliance.

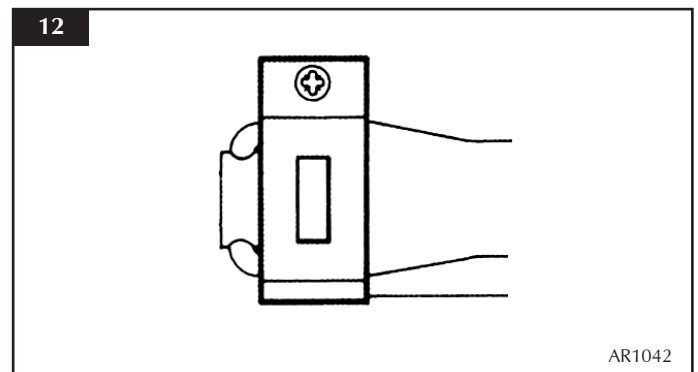
- 8.3 Working from inside the firebox, remove the lock nut from the injector (see Diagram 11) and withdraw the injector complete with the feed pipe from under the appliance.



- 8.4 Holding the injector with a spanner, undo the feed pipe.  
**NOTE: THE ORIENTATION OF THE INJECTOR.**
- 8.5 Reassemble in reverse order, turn on the gas supply and check for any leaks.

### 9. PRIMARY AERATION PLATE

- 9.1 Turn the gas supply off at the isolation device.
- 9.2 Refer to Section 2 to remove the main burner.
- 9.3 Remove the two screws on the burner skin to detach the venturi cover from the venturi. Slide the venturi cover off the venturi as per Diagram 12.



- 9.4 Refer to the technical specification and data badge to check the gas type and its required aeration plate. Change the aeration plate, if necessary.
- 9.5 Reassemble in reverse order with correct aeration plate(s).

# SERVICING INSTRUCTIONS

## REPLACING PARTS

### 10. CHANGING BETWEEN GAS TYPES

In order to change between gas types, it will be necessary to change the following items:

- Pilot Injector
- Control Valve
- Main Injector
- Main Burner
- Aeration Plate
- Data badge

The relevant parts can be ordered from the parts list, always quote the appliance type and serial number when ordering spare parts.

**NOTE: THE CONTROL VALVE IS FACTORY PRESET FOR THE CORRECT GAS TYPE AND MODEL, A NEW UNIT WILL NEED TO BE ORDERED WHEN CHANGING BETWEEN GAS TYPES.**

### 11. CONTROL UPGRADE

See User Instructions, Section 4.

### 12. SHORT SPARES LIST

Components	NG	LPG
	G20 20mb	G31 37mb
Main Injector	IN0041	IN0049
Aeration Plate	GZ3868	GZ2003
Pilot Injector	PI0026	PI0015
Burner Assembly	GZ3312	GZ3635
Thermocouple	PI0011	
Mag Unit	GC0092	
Electrode	PI0053	
Gasket	PI0052	
Gas Valve	GC0088	
Ignition Lead	GC0090	
Log A	CE0365	
Log B	CE0366	
Log C	CE0367	
Log D	CE0368	
Log set	CE0369	
Standard Upgrade Kit	8455	
Thermostatic Timer Kit	8456	

# SERVICE RECORDS

## 1ST SERVICE

Date of Service:.....

Next Service Due:.....

Signed:.....

Dealer's Stamp/Gas Safe Registration Number

## 3RD SERVICE

Date of Service:.....

Next Service Due:.....

Signed:.....

Dealer's Stamp/Gas Safe Registration Number

## 5TH SERVICE

Date of Service:.....

Next Service Due:.....

Signed:.....

Dealer's Stamp/Gas Safe Registration Number

## 7TH SERVICE

Date of Service:.....

Next Service Due:.....

Signed:.....

Dealer's Stamp/Gas Safe Registration Number

## 9TH SERVICE

Date of Service:.....

Next Due:.....

Signed:.....

Dealer's Stamp/Gas Safe Registration Number

## 2ND SERVICE

Date of Service:.....

Next Service Due:.....

Signed:.....

Dealer's Stamp/Gas Safe Registration Number

## 4TH SERVICE

Date of Service:.....

Next Service Due:.....

Signed:.....

Dealer's Stamp/Gas Safe Registration Number

## 6TH SERVICE

Date of Service:.....

Next Service Due:.....

Signed:.....

Dealer's Stamp/Gas Safe Registration Number

## 8TH SERVICE

Date of Service:.....

Next Due:.....

Signed:.....

Dealer's Stamp/Gas Safe Registration Number

## 10TH SERVICE

Date of Service:.....

Next Service Due:.....

Signed:.....

Dealer's Stamp/Gas Safe Registration Number



**Gazco Limited, Osprey Road, Sowton Industrial Estate, Exeter, Devon, England EX2 7JG**  
**Technical Customer Services (01392) 261950 Fax: (01392) 261951**  
**E-mail: [technicalservices@gazco.com](mailto:technicalservices@gazco.com)**

A member of the Stovax Group