



Fire Your Imagination

16" Logic Electric Progress & Box Profil Models



Instructions for Use, Installation & Servicing For use in GB & IE (Great Britain & Republic of Ireland).



IMPORTANT

THE OUTER CASING, FRONT AND GLASS PANEL BECOME EXTREMELY HOT DURING OPERATION AND WILL RESULT IN SERIOUS INJURY AND BURNS IF TOUCHED. IT IS THEREFORE RECOMMENDED THAT A FIREGUARD COMPLYING WITH BS 8423:2002 IS USED IN THE PRESENCE OF YOUNG CHILDREN, THE ELDERLY OR INFIRM.

For use with 230v 50Hz electricity supply only.

Please read these instructions carefully before installation and keep them in a safe place.

They will be needed when maintenance or servicing is required.

THIS APPLIANCE MUST BE EARTHED

Contents

Covering the following models:

Progress	Box Profil	
201-809	Black	201-849
	Brass Effect	201-860
	Polished Steel Effect	201-895
	Box Profil - Brushed Steel Effect	201-831

User Instructions.....3

- 1. Important Information & Health and Safety..... 3
- 2. Operating Instructions 3
- 3. Maintenance 5
- 4. Removing the Frames 5
- 4.1 Box Profil 5
- 4.2 Progress 6

Installation Instructions.....7

- Technical Specifications 7
- Appliance Dimensions..... 7
- Frame Dimensions 7

Installation.....8

- 1. General..... 8
- 2. Fitting The Appliance..... 8

Servicing10

- 1. Fault Finding..... 10
- 2. How to Wire a Plug 10
- 3. Servicing Requirements 11
- 4. Removal of the Fuel Bed 11
- 5. Replacing the Flame Effect LED Board 11
- 6. Replacing the Fuel Effect LED Board 11
- 7. Replacing the Printed Circuit Board..... 12
- 8. Removal of the Screen..... 12
- 9. Replacing the Effects Fan 13

10. Spare Parts List.....13




Registration No WEE/DH1656ZW
In accordance with European Directive 2002/96/EC, waste electrical and electronic equipment (WEEE) must not be disposed of with household waste.

At the end of its useful life please take this product to an appropriate recycling centre or collection point. You can find your nearest recycling centre by using the bank locator at www.recycle-more.co.uk for UK customers, www.weeeireland.ie for customers in the Republic of Ireland, or by contacting your local authority.

This product is guaranteed for 2 years from the date of installation, as set out in the terms and conditions of sale between Gazco and your local Gazco dealer. **This guarantee will be invalid, to the extent permitted by law, if the appliance has not been installed and operated as detailed in the Installation and User Instructions.** The guarantee will only be valid during the second year, to the extent permitted by law, if the appliance has been regularly maintained by the customer as detailed in the maintenance section of the Installation and User Instructions.

User Instructions

1. Important Information and Health and Safety

- 1.1 **Read all of the instructions carefully before using the appliance.**
- 1.2 **Remove all packaging and dispose of at an appropriate recycling facility.**
- 1.3 Do not locate this appliance immediately below a fixed socket outlet.
- 1.4 Parts of the outer casing of this appliance are considered by the manufacturer to be a working surface which becomes hot when the heater is switched on. You must use a suitable fire guard to protect children, the elderly and the infirm.
- 1.5 Do not use this appliance in the immediate surroundings of a bath, shower, swimming pool or any other area where the appliance could come into contact with water or humidity, e.g. a bathroom.
- 1.6  **WARNING! DO NOT COVER**
Do not allow the appliance to be covered or let the air inlet/outlet become obstructed as the appliance may overheat. Please note the warning symbol on the appliance (see above).
- 1.7 **For indoor use only.** This appliance is not suitable for use outside the house.
- 1.8 Keep the power cord away from hot surfaces and hot conditions. Do not route the power lead in front of the appliance.
- 1.9 This appliance must stand on a clean, level, firm surface. Do not stand the fire on a carpet. Ensure that furniture, curtains etc. are positioned no closer than 1m and the fire stands on a surface that can withstand temperatures of 90°C for prolonged periods. Do not allow rugs to be placed within 300mm of the front of the appliance.
- 1.10 When the fire has been installed, the position of the plug must be accessible.
- 1.11 Where the electricity supply cable has to pass through a fire place, stone surround etc. ensure suitable rubber bushes are fitted at possible wear points.
- 1.12 If installed in an open fireplace, blank off the chimney to reduce the risk of a back draught which can cause the safety cut-out to operate.
- 1.13 If the electricity supply cable is damaged do not use the appliance until it has been replaced. For safety reasons the replacement has to be carried out by a Gazco service agent or a similarly competent electrician.
- 1.14 Do not use this appliance with any kind of timer, programmer or thermal control or other device that will switch the appliance on or off automatically.
- 1.15 Do not operate the appliance if it is damaged.

- 1.16 Repairs of electrical appliances must only be performed by an electrical engineer. Should the appliance fail to operate, or in case of any damage, please contact the retailer from whom the appliance was purchased.
- 1.17 **Never leave the heater unattended while it is in use.** Always switch the product to the OFF position and unplug it from the electrical outlet when not in use.
- 1.18 **This appliance is not intended to be used by persons under the age of 12, persons with reduced physical, sensory or mental capabilities or persons with lack of experience and knowledge in the safe operation of the appliance.**
The appliance may be operated by persons above the age of 12 provided they have been instructed in the safe use of the appliance and that they understand the hazards involved. Persons above the age of 12 may also operate the appliance under the supervision of a responsible adult.
- 1.19 Parts of this appliance become hot whilst in operation and under no circumstances should persons under the age of 12 be left alone with the product when it is in operation unless a suitable fireguard is used to protect them against the possibility of coming into direct contact with the appliance.

2. Operating Instructions



WARNING! Do not operate the appliance if it is damaged or has malfunctioned. If you suspect the appliance is damaged or has malfunctioned call a qualified service engineer to inspect the appliance, and replace any part of the electrical system if necessary, before reuse.

GENERAL

- 2.1 The appliance can be operated by the infrared handset or the manual controls which are located under the canopy.

PREPARATION BEFORE USE

Batteries:

- 2.2 Ensure that the handset battery is new and is inserted correctly.
- 2.3 Dispose of old batteries at an appropriate recycling facility.

When using the handset:

- 2.4 Ensure the handset is pointed at the infrared sensor located behind the flame effect screen at the back of the inside of the appliance.

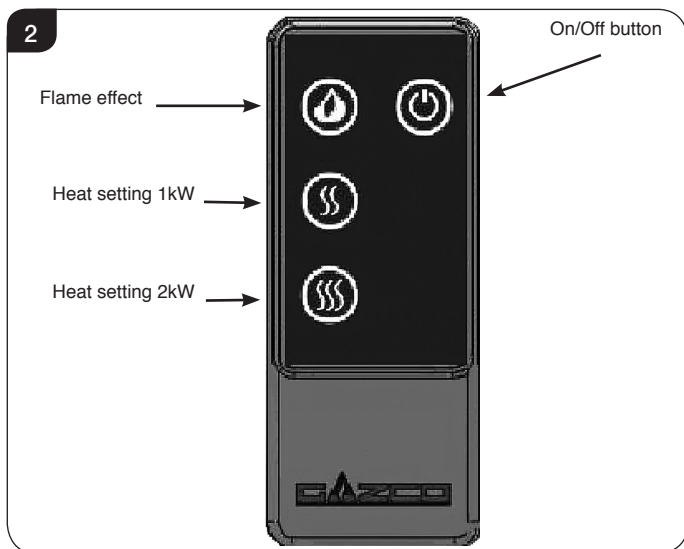
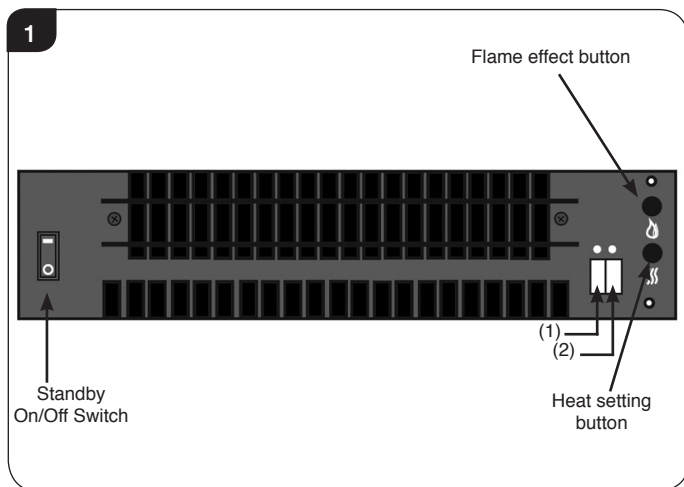
LOCATION OF POWER SWITCH

- 2.5 The mains power switch is located on the control panel located under the canopy on the top left-hand side of the appliance, see Diagram 1.
- 2.6 Switch ON (—) before operating either the remote or manual controls.
- 2.7 A beep is heard to indicate the fire is ready for use.

User Instructions

Remote & Manual Operation

- 2.8 The following functions can be controlled using the manual controls or remote handset:
- Heat settings 1 and 2
 - Brightness of the fuel and flame effect
- 2.9 The Standby function and the thermostat can only be operated via the manual controls.
- 2.10 The effects can be turned off using the remote, returning the appliance to Standby.



Standby On/Off

- 2.11 The appliance is in Standby mode when the power is switched on via the manual control panel. You must have this power supply ON (—) before using the manual or remote controls (see 2.6).

Turning On the Appliance

Flame Effects:

- 2.12 The flame effect button on both the manual and remote controls has 4 settings:
- Press **once** for maximum brightness of fuel and flame effects (Setting 1).
 - Press **twice** for brightness setting 2.
 - Press **three times** for brightness setting 3.
 - Press **four times** for brightness setting 4.

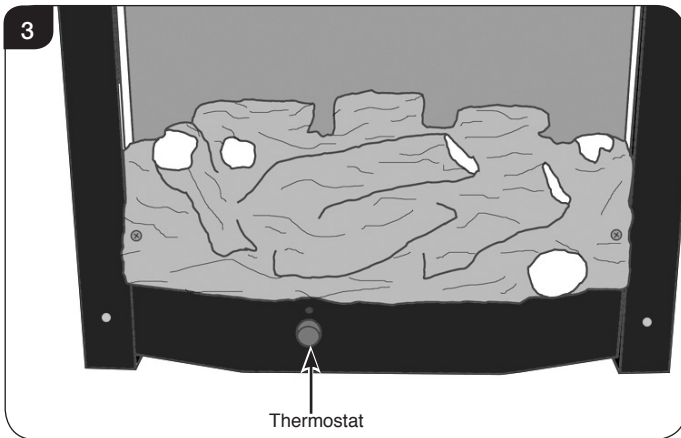
Turning On the Heat:

- 2.13 **When turning on the heater you must always press the 1kW button. Do not start the fire using the 2kW setting.**
- 2.14 **It is NOT advisable to run the heater without the flame effects switched on.**
- 2.15 Press the 1kW button to turn the fan heater ON. One red indicator light will be displayed on the indicator (1) under the canopy. The appliance will blow cold air for approximately 8 seconds before the heater comes on. On this setting the heater will operate at half its maximum temperature.
- 2.16 Press the 2kW button **once** to turn the fan heater to its maximum temperature. Two red indicator lights will be displayed on the indicator (1) + (2) under the canopy. After approximately 8 seconds the heater will operate at its maximum temperature.
- 2.17 **Pressing the 2kW button again will turn the heater OFF** and cold air will be blown for approximately 8 seconds to cool the appliance.
- 2.18 Press the 1kW button to return to the lower heat setting.
- 2.19 Press the On/Off button to turn off **ALL** settings and return to Standby. Cold air will be blown for approximately 8 seconds to cool the appliance.
- 2.20 **The appliance should be turned off via the On/Off switch when it is not in use.**

Thermostatic Control

- 2.21 The appliance is fitted with a thermostat. This is located at the base of the appliance and can be accessed by removing the lower cover on the Progress or the ash cover on the Box Profil models, see Diagram 3.

User Instructions



The thermostat can control the room temperature between approximately 9°C and 34°C. The edge of the thermostat control dial is numbered 1 - 9 with 1 being the coolest setting and 9 being the warmest. If the room temperature is too high turn the thermostat dial in an anti-clockwise direction. If the room temperature is too low turn the dial in a clockwise direction.

Log Effect

- 2.22 **The Log effect is a glass fibre fuel bed which may give off a slight smell when first used. This is normal and should disappear after a day or two.**

Thermal Safety Cutout

The appliance is fitted with a thermal safety cutout, which operates if it overheats. If this happens:

- 2.23 Unplug the appliance and allow it to cool for 5 - 10 minutes.
- 2.24 Check the air inlets/outlets for any obstruction and clear if necessary (see Maintenance, Section 3.5).
- 2.25 Plug in appliance and switch it on. The cutout will re-set and the appliance should function correctly. If this is not the case:
- 2.26 Unplug once more and have the fire checked by a competent electrician.

3. Maintenance

- 3.1 **ALWAYS UNPLUG FROM MAINS SUPPLY BEFORE CLEANING OR UNDERTAKING ANY MAINTENANCE**

CLEANING

- 3.2 Only clean the outer casing when it is cold. Do not use abrasive cleaners.
- 3.3 For painted castings, wipe with a damp cloth and buff with a lint free duster.
Caution: Do not use abrasive cleaners on the glass panel. Do not spray liquids directly onto any surface of the unit.

CLEANING AIR INLETS

- 3.4 Ensure the appliance is unplugged.
- 3.5 Clean the air inlet and outlet grilles regularly with a soft cloth or the nozzle of a vacuum cleaner.
- Dust build-up can inhibit efficient performance of the fan and lead to the safety cut-out operating.**
- 3.6 Keep the area around the appliance clean and free of fluff, dust or pet hair.
- 3.7 In particular, build-up of dust etc. can occur around the heater area under the appliance. Take particular care to keep this area free from such particles on a regular basis to prevent build-up.

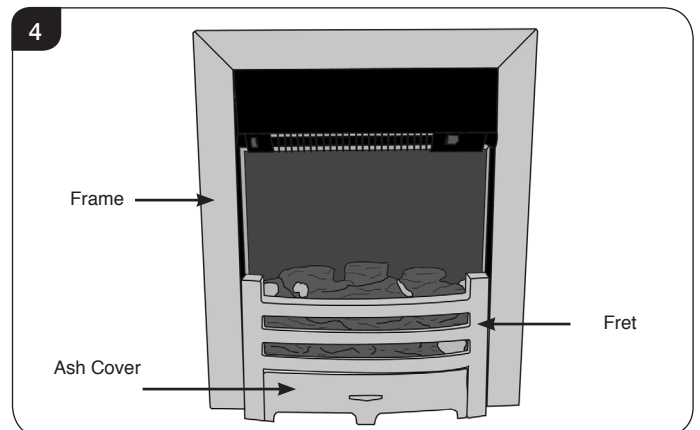
CLEANING LOG MOULDING

- 3.8 Ensure the appliance is unplugged and cold before handling log moulding.
- 3.9 Clean any build-up of dust with a brush or damp cloth.

4. Removal of Frame

Box Profil

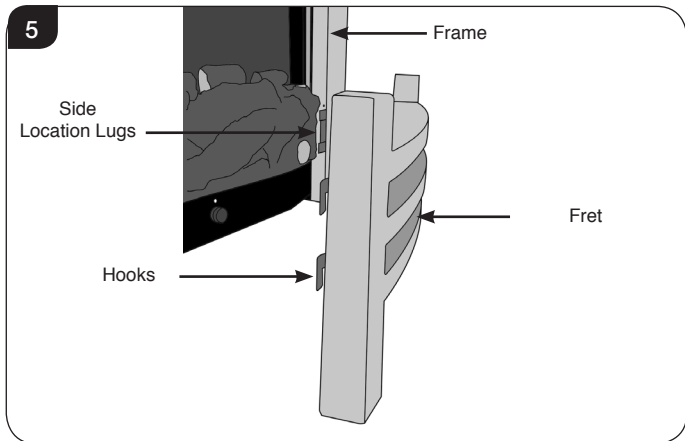
- 4.1 The Box Profil frame comes in three pieces, see Diagram 4.



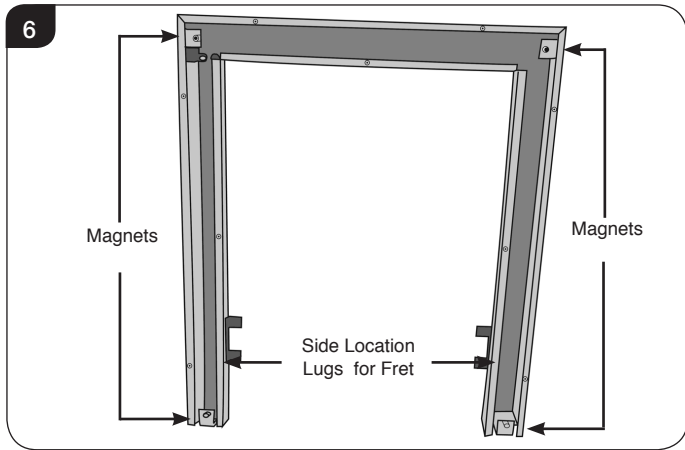
Pull to remove the Ash Cover and place carefully to one side.

Lift the fret off the side location lugs to detach the Fret from the frame, see Diagram 5.

User Instructions



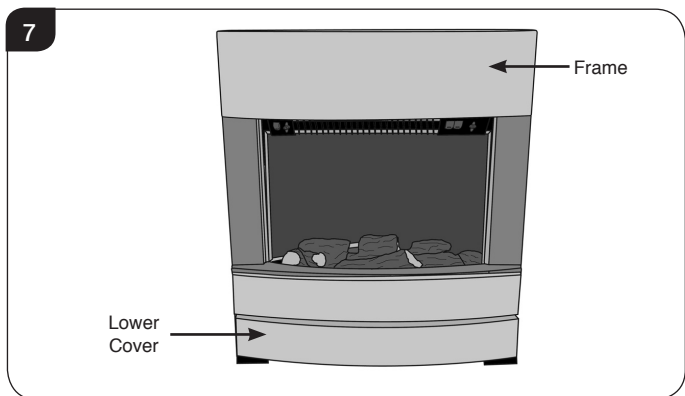
The outer frame is secured at the back by magnets and can now be easily removed, see Diagram 6.



Fitting the frame is the reverse of this procedure.

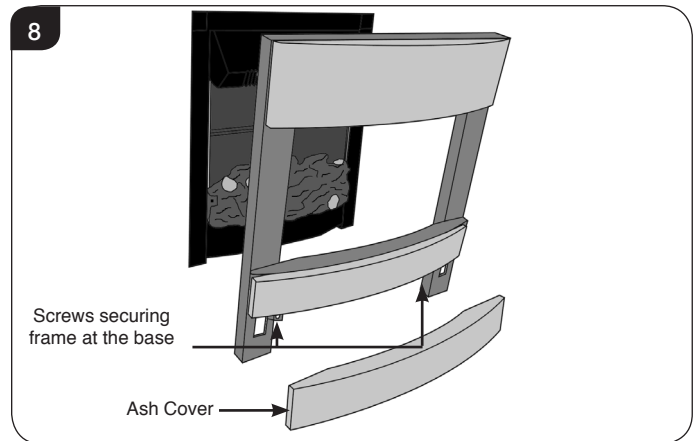
Progress

4.2 The Progress frame comes in two pieces, see Diagram 7.



Lift off the Lower Cover by pulling gently up and out. Place carefully to one side.

The outer frame can be detached by removing the two screws that secure the frame to the base and lifting the top lip of the frame off the fire, see Diagram 8.



Fitting the frame is the reverse of this procedure.

Installation Instructions

Technical Specification

These instructions cover the following models:

Progress	Box Profil	
201-809	Black	201-849
	Brass Effect	201-860
	Polished Steel Effect	201-895
	Brushed Steel Effect	201-831

These appliances have 3 modes of operation:

- Flame effect only - with 4 brightness levels
- Flame effect + 1kW heating
- Flame effect + 2kW heating

A 230v 13amp 50Hz supply is required
Maximum power consumption is 2064 watts

THIS APPLIANCE MUST BE EARTHED

A 1.8 metre lead with plug containing a 13 amp fuse is supplied. Only use a 13 amp fuse with this appliance.

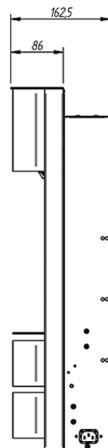
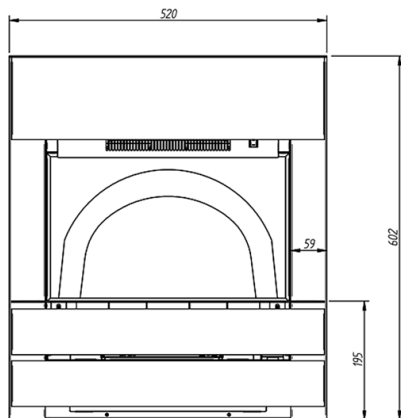
Remote control handset battery (CR2032)

This appliance has been certified for use in countries other than those stated. To install this appliance in these countries, it is essential to obtain the translated instructions and in some cases the appliance will require modification. Contact Gazco for further information.

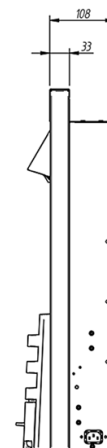
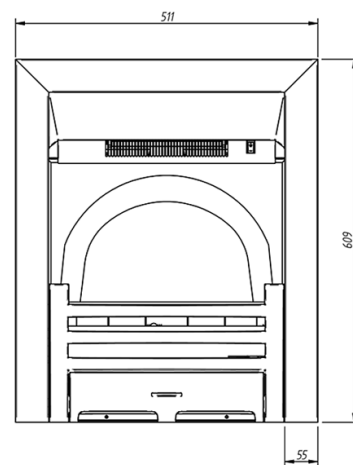
PACKING CHECKLIST

Qty Description	Fixing Kit containing:
1 x Logic Electric Box Profil	1 x Instruction manual
1 x Carton Containing:	4 x Wall screws
1 x Fret	4 x Wall plugs
1 x Ashcover	1 x Handset
or	
1 x Logic Electric Progress	
1 x Progress Lower Cover	

PROGRESS FRAME



BOX PROFIL FRAME



Installation Instructions

1. General

1.1 TOOLS REQUIRED

A Screw Driver will be needed.

1.2 UNPACKING THE FIREPLACE

WARNING! DO NOT use this appliance if any part has been under water.

Immediately call a qualified service technician to inspect and to replace any part of the electrical system if necessary.

1.3 Open the packaging carefully and remove the polystyrene. Remove and discard the plastic bag. Keep plastic bags away from children. Be responsible when handling the packing materials.

1.4 Check all parts and accessories are removed before disposing of any packaging. If necessary keep the original packaging for future transport and/or storage.

2. Fitting the Appliance

2.1 Locating The Logic Electric

Your new Logic Electric may be installed virtually anywhere in your home. However, when choosing a location ensure that these general instructions are followed.

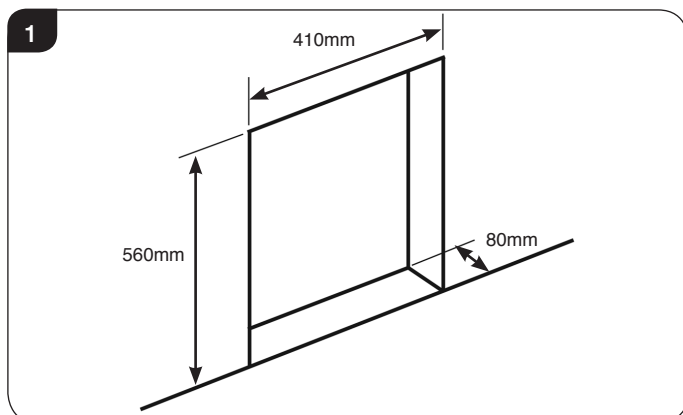
2.2 For best results, install out of direct sunlight.

2.3 If the power cord is damaged, it must be repaired by the manufacturer, its authorized service centre or professional person.

2.4 The appliance should be located close to a suitable mains socket to enable connection. The electrical socket must be easily accessible to allow disconnection when the appliance is fitted.

WARNING! KEEP ANY COMBUSTIBLE MATERIALS AT LEAST 1M FROM THE FRONT AND SIDES OF THE APPLIANCE.

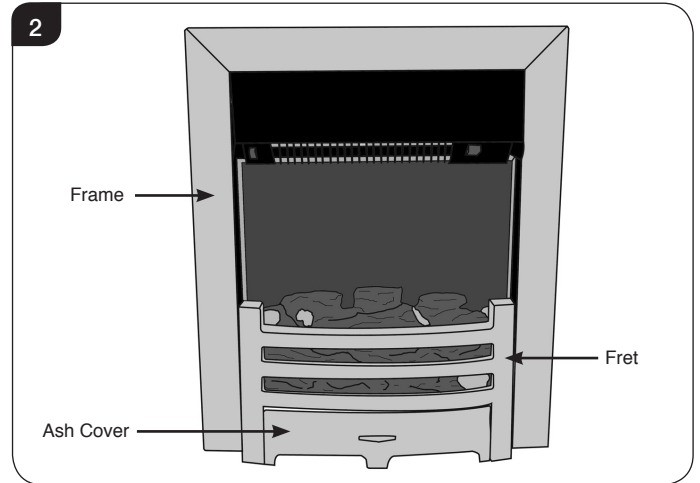
2.5 To install the appliance into a wall opening the space must conform to the following dimensions, see Diagram 1.



2.6 Remove the frame:

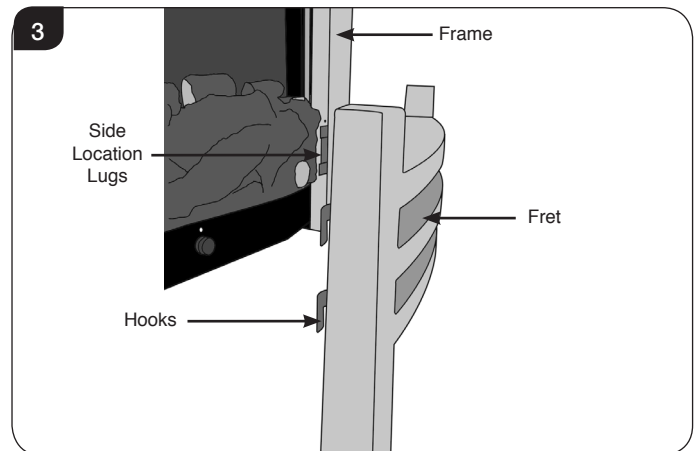
Box Profil

The Profil frame comes in three pieces, see Diagram 2.

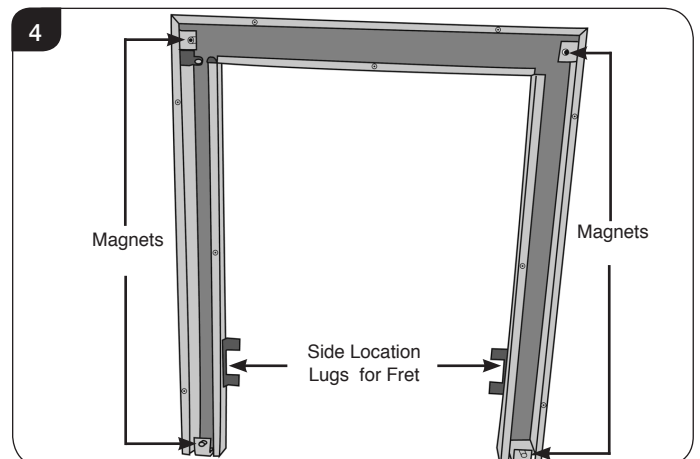


Pull to remove the Ash Cover and place carefully to one side.

Lift the fret off the side location lugs to detach the Fret from the frame, see Diagram 3.



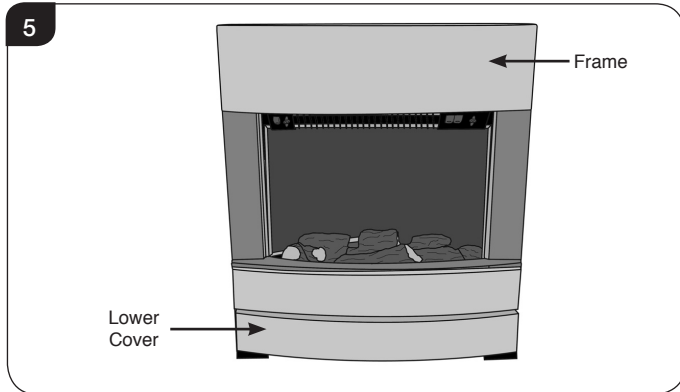
The outer frame is secured at the back by magnets and can now be easily removed, see Diagram 4.



Installation Instructions

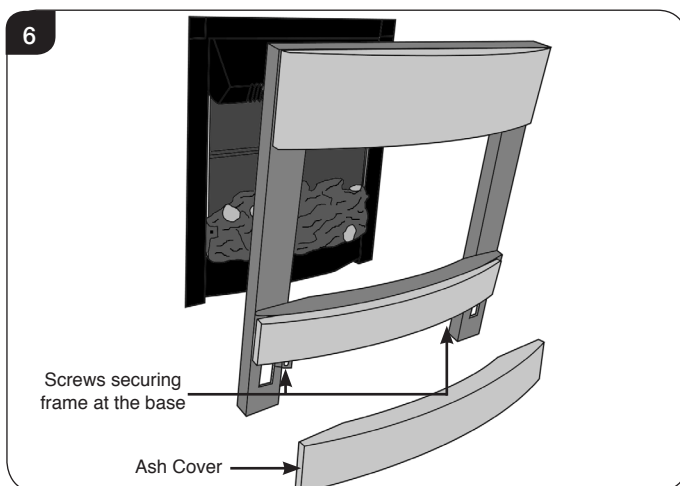
Progress

The Progress frame comes in two pieces, see Diagram 5.



Lift off the Lower Cover by pulling gently up and out. Place carefully to one side.

The outer frame can be detached by removing the two screws that secure the frame to the base and lifting the top lip of the frame off the fire, see Diagram 6.



2.7 Offer the appliance into the opening and mark the positions of the four fixing holes.

Remove the appliance and drill the four fixing holes and push the wall plugs into place.

2.8 Insert the appliance into the opening and secure in place using the four wall screws.

2.9 Replace the frame. This process is the reverse of the instructions in section 2.6.

Servicing Instructions

1. Fault Finding

No illumination or uneven lighting:

- 1.1 Check the heater is working. If YES, one or more of the LED boards will need replacing. This must be undertaken by a suitably qualified person (see Servicing Requirements).
- 1.2 If NO, first change the 13amp fuse for one known to work. If the fire still does not work, check the socket by plugging in a working appliance. If this too fails to operate, call in a competent electrician to check the socket.

Illumination but no heat:

- 1.3 The safety cut-out has operated to protect against overheating (see User Instructions, Section 2). Ensure the air inlet and outlet grilles are free of dust or any other obstruction.
- 1.4 The thermostat control dial may be set too low. Turn the dial clockwise until the heater turns on.

Remote control fails to work:

- 1.4 Check that the batteries are new and correctly fitted. Replace if necessary.
- 1.5 Ensure that the handset is pointed towards the fire.

2. How to wire a plug

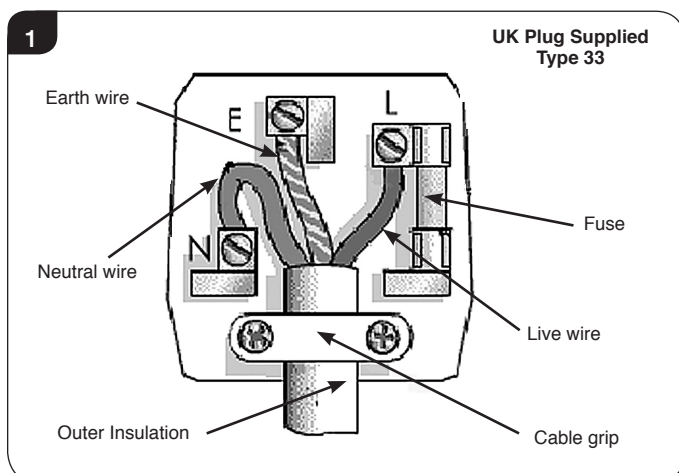
To change the plug supplied with this fire, follow the instructions below. The instructions assume that the wire has been cut.




WARNING – FAILURE TO CONNECT THE WIRES CORRECTLY COULD PUT PEOPLE AT RISK FROM ELECTRIC SHOCK OR FIRE. IF IN DOUBT CONSULT A QUALIFIED ELECTRICIAN.

UK Plug

Suitable for use in Cyprus, Malta, Ireland & Great Britain

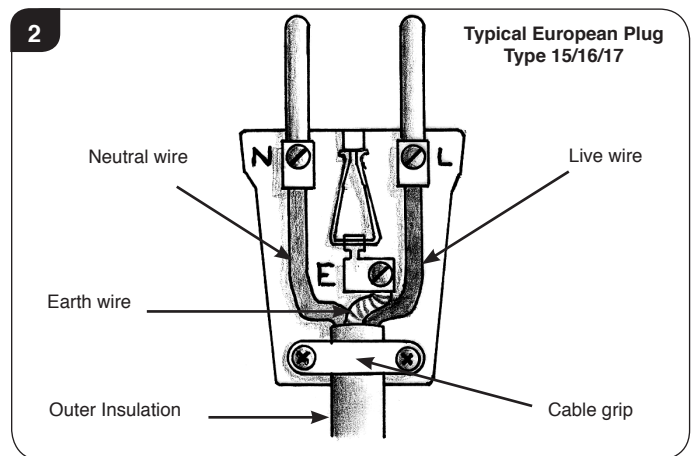


Live Wire	Brown	Terminal L / RED
Neutral Wire	Blue	Terminal N / BLACK
Earth Wire	Green & Yellow Stripes	Terminal E /  / GREEN or GREEN & YELLOW

THIS APPLIANCE MUST BE EARTHED

European Plug

Suitable for use in Austria, Belgium, Bulgaria, Czech Republic, Denmark, Estonia, Finland, France, Greece, Hungary, Germany, Italy, Latvia, Lithuania, Luxembourg, Netherlands, Poland, Portugal, Romania, Slovakia, Slovenia, Spain & Sweden



- 2.1 Dispose of the old plug safely. Ensure the new plug is not cracked or chipped.
- 2.2 Expose 4cm of the coloured wires and trim to the correct lengths so that they comfortably reach the correct terminals.
- 2.3 Ensure that the Earth wire has more slack than any of the other wires.
- 2.4 Remove some of the insulation to leave about 1cm of exposed metal core on each wire.
- 2.5 Twist the strands of the wire together.
- 2.6 Loosen the screw heads above each terminal.
- 2.7 Push the metal wire into the hole beneath each screw head or, dependent on plug design, wind the metal wire around the screw.
- 2.8 Ensure that the insulation reaches right up to each terminal as illustrated and there are no loose strands of wire.
- 2.9 Ensure the cable sits correctly under the cable grip and tighten to secure.
- 2.10 Refer to *Technical Specification* for fuse rating and fit the appropriate fuse into the plug.
- 2.11 Attach the plug cover.

Servicing Instructions

3. Servicing Requirements

THIS APPLIANCE MUST ONLY BE SERVICED BY A SUITABLY QUALIFIED PERSON.

BEFORE UNDERTAKING ANY WORK ON THE APPLIANCE: SWITCH OFF THE APPLIANCE AND ISOLATE IT FROM THE MAINS BY UNPLUGGING THE UNIT.

3.1 Wait for at least 10 minutes until the appliance has cooled down.

3.2 Remote Handset Battery Replacement

Replace with one CR2032 battery. Make sure the battery is installed correctly in the remote control.

3.3 Maintenance of Motors

The motors used on the fan and flame effect are pre-lubricated for extended bearing life and require no further lubrication. However, periodic cleaning/vacuuming of the fan/heater unit is recommended.

3.4 Resetting the Thermal Cutout Switch

The appliance is fitted with an Electronic Safety Control (E.S.). This is a safety device which switches off the fire if, the appliance overheats for any reason e.g. when covered.

If the heater stops operating whilst the flame effect continues normally, this indicates that the E.S. Control is in operation.

The E.S. Control can only be re-set after the appliance has cooled down.

To re-set the E.S.:

Switch off the appliance (Manual On/Off switch) and leave for approximately 10-15 minutes.

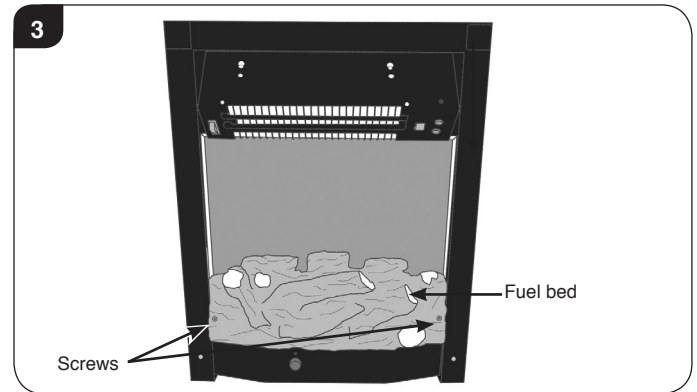
Remove any obstruction to the fan heater outlet or other internal parts.

Switch on appliance and the E.S. Control will re-set. Ensure that the appliance is functioning correctly. If the E.S. Control operates again, the appliance should be checked by a competent Electrician.

4. Removal of the Fuel Bed

4.1 Remove the decorative frame, see User Instructions, Section 4.

4.2 The fuel bed is secured by 2 screws on the lower panel on the front of the appliance, see Diagram 3.



Take care not to damage the plastic screen when replacing the fuel bed.

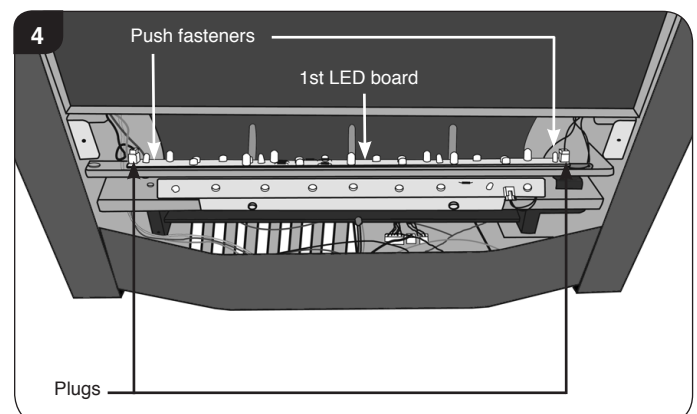
5. Replacing the Flame Effect LED Board

5.1 If an LED fails to light you will notice an uneven or unlit fuel effect.

5.2 To remove the Flame Effect LED board first remove the decorative frame and the fuel effect.

5.3 Disconnect all wires from the front LED board, noting their orientation.

5.4 The board is secured by 2 plastic push fasteners, see Diagram 4. Using pliers, gently squeeze the head of the fasteners to release the board.



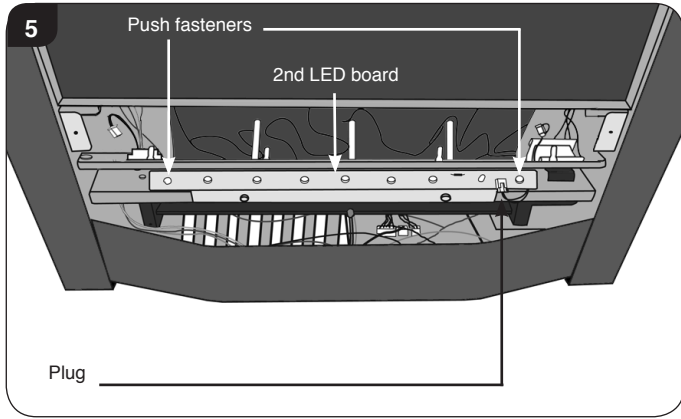
Dispose of the board at an appropriate recycling centre.

5.5 To connect the new LED board push the fasteners through the ready drilled holes and ensure that all wires are correctly connected.

Servicing Instructions

6. Replacing the Fuel Effect LED Board

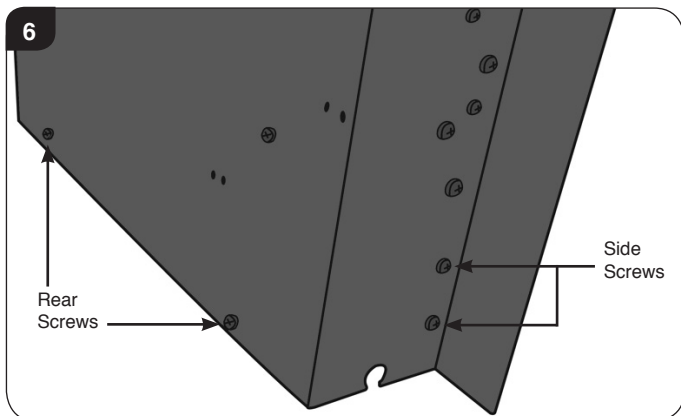
- 6.1 The Fuel Effect LED board is underneath the Flame Effect board but can be replaced individually, see Diagram 5.



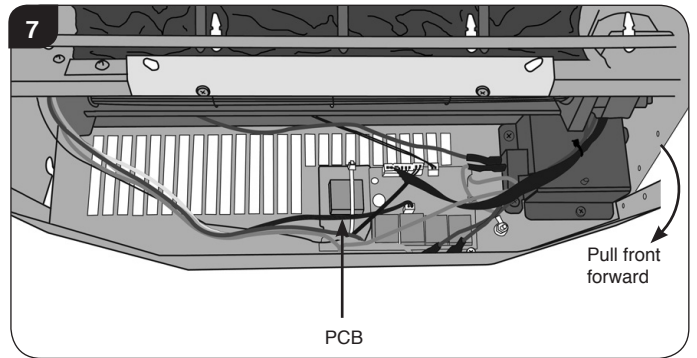
- 6.2 Disconnect the wire connecting the Fuel Effect LED board to the Flame Effect LED board, noting its orientation. Release the board from the plugs and dispose of in an appropriate manner.
- 6.3 Attach the new board and reconnect the wire.

7. Replacing the Printed Circuit Board

- 7.1 To remove the PCB first remove the LED effect boards following Sections 4 - 6.
- 7.2 To access the board you must remove the two screws on each side of the appliance and the two screws at the back, see Diagram 6.



- 7.3 The base can now be pulled forward allowing access to the PCB Board which is fixed to the appliance using 2 push fasteners and 2 screws.



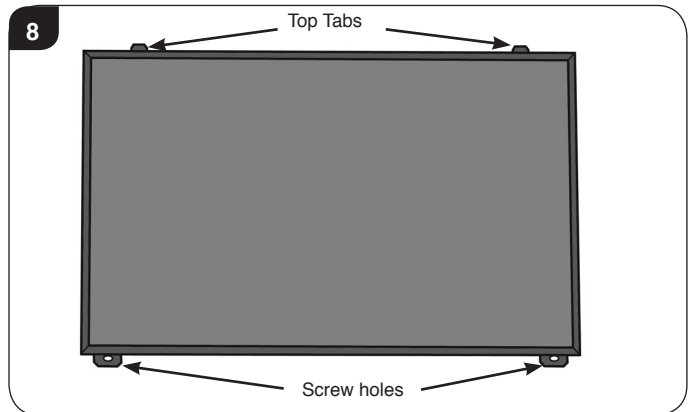
- Remove the screws securing the board ready to replace it.
- 7.4 Disconnect the leads from the old PCB one by one. As each wire is disconnected from the old PCB attach it to the new PCB to ensure correct orientation.
- 7.5 Fitting the new PCB board is the reverse of this procedure.

8. Removal of the Screen

For certain aspects of servicing it may be necessary to remove the screen.

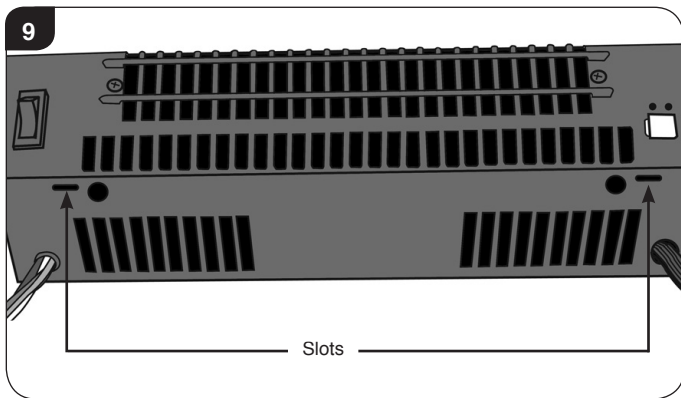
- 8.1 First remove the frame and the fuel bed.
- 8.2 The screen is secured by 2 screws on the side of the appliance just above the LED Effects boards.

In addition to this there are two tabs that locate into the heater assembly, see Diagram 8.

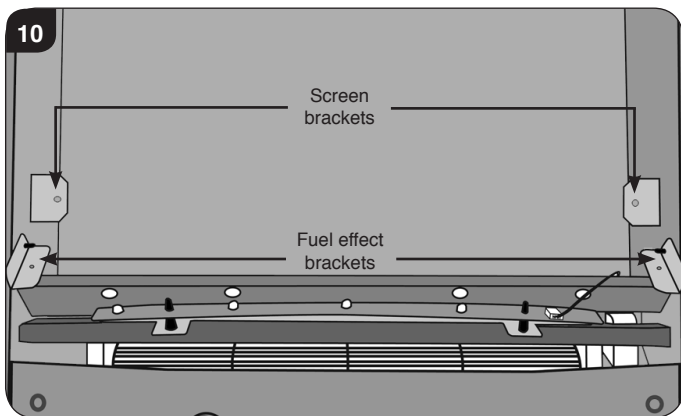


- 8.3 The screen pulls down and out to be removed from the appliance.
- 8.4 To refit the screen locate the slots for the top tabs at the bottom of Heater assembly and insert the screen, see Diagram 9.

Servicing Instructions / Spare Parts List



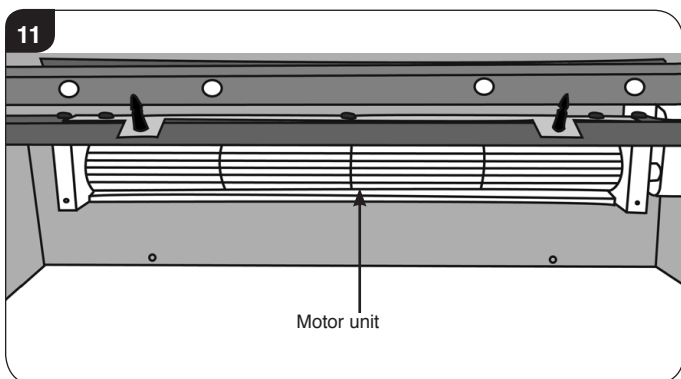
8.5 Secure the screen with the two screws onto the brackets above the fuel bed, see Diagram 10.



8.6 Reattach the fuel effect brackets.

Take care not to damage the plastic screen when removing from the appliance.

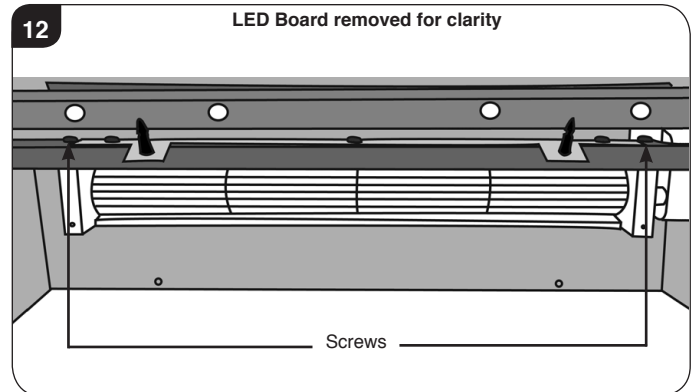
9. Replacing the Effects Fan



9.1 The motor & effect unit is attached by 4 screws located at the rear of the appliance. It may be necessary to move the appliance from its location to gain access to the rear of the appliance. Remove the fuel bed and screen to complete this operation.

9.2 Remove the side and rear screws to allow the base to pull forward - See Section 7 Replacing The Printed Circuit Board.

9.3 Remove the four screws that secure the Fan to the appliance. These are located behind the LED boards, Diagram 12.
Note: It is possible to replace the unit without removing the LED Boards.



9.4 Unplug the two wires attached to the unit (1 Red, 1 Blue) and carefully unhook the mains electricity lead from the cutout in the base of the appliance.

9.5 The motor and effects unit can now be removed and replaced as a whole unit.

9.6 Replace in reverse order. Ensure to replace the mains electricity lead (protected by the grommet) into the cut out in the base of the appliance when reattaching motor and that all wires are correctly reconnected.

10. Spare Parts List

Parts Description	Part No.
Fuel Effect LED Board	EL0511
PCB Unit	EL0512
Battery	EL0492
Flame Effect LED Board	EL0513
Handset	EL0491
Flame Effect Fan	EL0515
Log Fuel Effect	PL0119

Gazco Limited, Osprey Road, Sowton Industrial Estate, Exeter, Devon, England EX2 7JG
Technical Customer Services (01392) 261950 Fax: (01392) 261951
E-mail: technicalservices@gazco.com

A member of the Stovax Group