



*Fire Your Imagination*

# Vogue Range

## Balanced Flue Log Effect Stove

With Upgradeable Control Valve



## Instructions for Use, Installation and Servicing

For use in GB, IE (Great Britain and Republic of Ireland)

### **IMPORTANT**

**THE OUTER CASING, FRONT AND GLASS PANEL BECOME EXTREMELY HOT DURING OPERATION AND WILL RESULT IN SERIOUS INJURY AND BURNS IF TOUCHED. IT IS THEREFORE RECOMMENDED THAT A FIREGUARD COMPLYING WITH BS 8423 (LATEST EDITION) IS USED IN THE PRESENCE OF YOUNG CHILDREN, THE ELDERLY OR INFIRM.**

This product contains a heat resistant glass panel. This panel should be checked during Installation and at each servicing interval. If any damage is observed on the front face of the glass panel (scratches, scores, cracks or other surface defects), the glass panel must be replaced and the appliance must not be used until a replacement is installed. Under no circumstances should the appliance be used if any damage is observed, the glass panel is removed or broken.

It is essential that ALL of the screws that retain the glass frame are replaced and tightened correctly. Under no circumstances should the appliance be operated if any of these screws are loose or missing.

These Instructions must be left with the appliance for future reference and for consultation when servicing the appliance. Please make the customer aware of the correct operation of the appliance before leaving these instructions with them.

The commissioning sheet found on Page 3 of this Instruction manual must be completed by the Installer prior to leaving the premises.

# Contents

## Vogue Freestanding - Balanced Flue

Covering the following models:

MODEL	VOGUE MIDI	VOGUE MIDI MIDLINE
Nat Gas	563-055	563-079
LPG	563-451	563-477

**Appliance Commissioning Checklist .....3**

**User Instructions .....4**

**Installation Instructions .....10**

Technical Specifications ..... 10

Site Requirements ..... 13

Installation ..... 18

Commissioning .....28

**Servicing Requirements .....29**

Fault Finding .....29

How to replace parts .....31

Spare parts list .....37

Service Records .....40



If you have purchased your stove or fire from an authorised stockist within our Expert Retailer Network, then automatically your product will carry a 2 year warranty as standard. The 2 year warranty can be further extended to a total warranty period of 5 years by registering your Gazco Stove or Fireplace within one month of the latter of the purchase date or installation date. Accordingly, the start date for the warranty period is the date of purchase. During the registration process, the Expert Retailer details will be required for your Extended Warranty to be activated. Any product purchased outside of our Expert Retailer Network will carry a standard 12 month, non-extendable warranty.

It is a condition of the Extended Warranty that the installation complies with the relevant Building Regulations and is carried out by a suitably trained and qualified individual (GasSafe in the UK or equivalent in other countries) with the certificate of installation and the Commissioning Report on Page 3 completed and retained by the end user.

Full terms and conditions are detailed in the Warranty Statement on the Gazco website [www.gazco.com](http://www.gazco.com). In the event of any conflict of information the wording on the website shall prevail.

**Important Note:** Should any problems be experienced with your product, claims must first be submitted to the Expert Retailer where the appliance was purchased from who will offer immediate assistance or contact Gazco on your behalf.



**It is a requirement of the Building Regulations 2010 that the installation of this appliance is notified to the Local Authority. It is the responsibility of the GasSafe registered installer to carry out this notification to the Local Authority via the GasSafe register Competent Persons Scheme in England and Wales (different rules apply in Scotland and Northern Ireland).**

**When the installation has been notified, GasSafe will send a Building Regulations Compliance Certificate to you containing details of the work completed. Please ensure that the person responsible for the installation of this appliance completes this notification and records it in the Appliance Commissioning Checklist on page 3.**

**IT IS YOUR RESPONSIBILITY TO COMPLY WITH THE BUILDING REGULATIONS AND BE ABLE TO PRODUCE THIS CERTIFICATE SHOULD IT BE REQUIRED IN THE FUTURE.**

# Appliance Commissioning Checklist

To assist us in any guarantee claim please complete the following information:-

## IMPORTANT NOTICE

Explain the operation of the appliance to the end user, hand the completed instructions to them for safe keeping, as the information will be required when making any guaranteed claims.

FLUE CHECK	PASS	FAIL	
1. Flue Is correct for appliance			
2. Flue flow Test N/A			
3. Spillage Test N/A			
GAS CHECK			
1. Gas soundness & let by test			
2. Standing gas pressure	mb		
3. Appliance working pressure (on High Setting) NB All other gas appliances must be operating on full	mb		
4. Gas rate	m <sup>3</sup> /h		
5. Does Ventilation meet appliance requirements N/A			
6. Have controls been upgraded (Upgradeable models only)	8455 Standard	YES	NO
	8456 Programmable Thermostatic and Timer	YES	NO
SAFETY CHECK			
1. Glass checked to ensure no damage, scratches, scores or cracks.			
2. Door secured correctly and all screws replaced			
BUILDING CONTROL NOTIFICATION	YES	NO	
1. Installer notified GasSafe/Local Authority of installation via Competent Persons Scheme?			

## RETAILER AND INSTALLER INFORMATION

<b>Retailer</b> .....	<b>Installation Company</b> .....
.....	.....
.....	.....
<b>Contact No.</b> .....	<b>Engineer</b> .....
<b>Date of Purchase</b> .....	<b>Contact No.</b> .....
<b>Model No.</b> .....	<b>GasSafe Reg No.</b> .....
<b>Serial No.</b> .....	<b>Date of Installation</b> .....
<b>Gas Type</b> .....	

# User Instructions

## Welcome

*Congratulations on purchasing your Vogue appliance, if installed correctly Gazco hope it will give you many years of warmth and pleasure for which it was designed.*

*The purpose of this manual is to familiarise you with your appliance, and give guidelines for its installation, operation and maintenance. If, after reading, you need further information, please do not hesitate to contact your Gazco retailer.*

## WARNING



**In the event of a gas escape or if you can smell gas, please take the following steps:**

- **Immediately turn off the gas supply at the meter/emergency control valve**
- **Extinguish all sources of ignition**
- **Do not smoke**
- **Do not operate any electrical light or power switches (On or Off)**
- **Ventilate the building(s) by opening doors and windows**
- **Ensure access to the premises can be made**

**Please report the incident immediately to the National Gas Emergency Service Call Centre on 0800 111 999 (England, Scotland and Wales) , 0800 002 001 (N. Ireland) or in the case of LPG, the gas supplier whose details can be found on the bulk storage vessel or cylinder.**

**The gas supply must not be used until remedial action has been taken to correct the defect and the installation has been recommissioned by a competent person.**

## 1. General

- 1.1 Installation and servicing must only be carried out by a competent person whose name appears on the GasSafe register. To ensure the engineer is registered with GasSafe they should possess an ID Card carrying the following logo:



- 1.2 In all correspondence, please quote the appliance type and serial number which can be found on the data badge located at the rear of the appliance or on the Commissioning Checklist on Page 3.
- 1.3 **Do not** place curtains above the appliance: You must have 300mm (1') clearance between the appliance and any curtains at either side.
- 1.4 The manufacturer considers the full outer casing of this stove to be a working surface and it will become hot whilst in operation. A suitable guard is recommended to protect young children, the aged and the infirm.
- 1.5 No furnishings or other objects should be placed within 1 metre of the front of the appliance.
- 1.6 If a shelf is fitted, a distance of 225mm above the appliance is required.
- 1.7 Do not attempt to burn rubbish in this appliance.
- 1.8 This appliance must only be operated with the door secured firmly in position. If any cracks appear in the glass the appliance must not be used until the glass panel is replaced.
- 1.9 If, for any reason, the flue has to be removed from the appliance, the seals must be replaced in the inner spigot.
- 1.10 Do not obstruct the flue terminal in any way i.e. by planting flowers, trees shrubs etc. in the near vicinity, or by leaning objects up against the terminal guard.
- 1.11 Do not put any objects on the terminal guard; it will lose its shape.
- 1.12 Do not use a garden sprinkler or hose near the terminal.
- 1.13 This product is guaranteed for 5 years from the date of installation, as set out in the terms and conditions of sale between Gazco and your local Gazco retailer. Please consult with your local Gazco retailer if you have any questions. In all correspondence always quote the Model Number and Serial Number.

# User Instructions

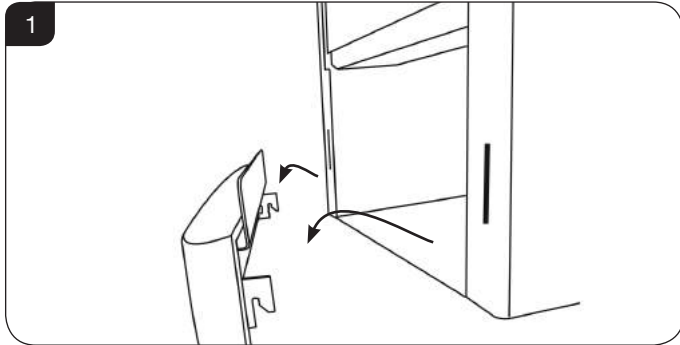
## 2. Operating the Appliance

The method used to access the control valve differs between models.

### Vogue Midi

The control valve is located behind the plinth.

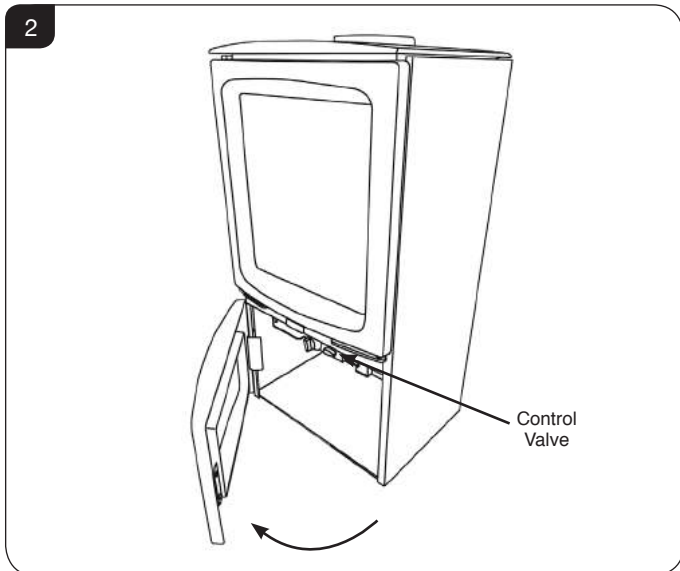
- 2.1 Remove the plinth to access the controls by lifting the hooks clear of the slots on the front of the appliance, see Diagram 1.



### Vogue Midi Midline

The control valve is located behind the plinth.

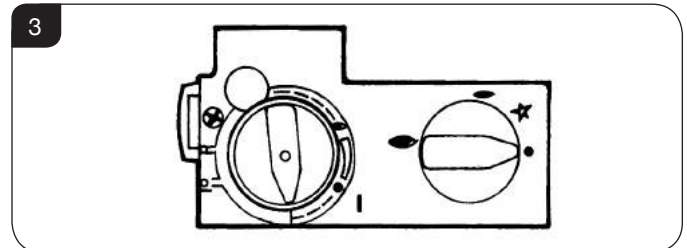
- 2.2 Pull the lower door open from the right hand side to access the controls, see Diagram 2.



### All Models

The valve has two controls, see Diagram 3:

1. The right-hand knob controls the pilot ignition.
2. The left-hand knob controls the main burner.



- 2.3 Refer to separate instructions if your appliance is upgraded to include battery remote control. The instructions below apply whether or not you have the remote upgrade.

### Lighting the Pilot

- 2.4 To start the left-hand and right-hand control knobs must both point to off (●):
- 2.5 Press in the right-hand control knob and rotate anti-clockwise until a click is heard. Continue to press in. The knob points to the pilot (←).
- The pilot is lit.
- 2.6 Keep the knob depressed for 10 seconds before releasing. The pilot remains lit.
- Repeat the above steps if the pilot does not stay lit.
- NOTE: If the pilot goes out, the Interlock system prevents you lighting again for a short period.**
- 2.7 If, after repeating the above steps the pilot does not light, contact your Retailer or Installer.
- 2.8 Turn the right-hand knob to the left to main burner setting (↶).

### Adjusting the Flame height

- 2.9 You can now adjust the flame height and temperature using the left-hand control knob.
- 2.10 Turn the left-hand knob anti-clockwise to increase the flame height.
- 2.11 Turn clockwise to decrease the height.



**IMPORTANT: YELLOW FLAMES TYPICALLY APPEAR WHEN THE APPLIANCE HAS REACHED NORMAL OPERATING TEMPERATURE. THIS CAN TAKE UP TO 30 MINUTES.**



**WARNING: IF THE APPLIANCE FAILS TO LIGHT OR BECOMES EXTINGUISHED IN USE, WAIT 3 MINUTES BEFORE ATTEMPTING TO RELIGHT.**

# User Instructions

## 3. Turning OFF the Appliance

- 3.1 To turn the main burner off turn the left-hand knob until it points to off (●). Just the pilot remains lit.
- 3.2 Press in and turn the right-hand knob until it points to off (●). The pilot goes out.

## 4. Upgrading the Appliance

- 4.1 The appliance is fitted with a control valve that can easily be upgraded to battery powered remote control. There are two versions of this control which can be obtained through your local Gazco retailer. There is no requirement for this upgrade to be carried out by an approved GasSafe engineer. However Gazco recommend that this task is undertaken by a suitably competent person.
- 4.2 This upgrade can be fitted before or after installation but if side clearances are limited then it will be easier to upgrade the appliance before installation. Full instructions are included with the kit.

### Standard Remote Control (PART NUMBER 8455)

- 4.3 This remote control can control the gas appliance after the pilot has been lit. It can turn the main burner on and regulate it from low through to high and back again. It can turn the main burner off leaving the pilot burning.

### Thermostatic and Timer Remote Control (PART NUMBER 8456)

- 4.4 This remote control can control the gas appliance after the pilot has been lit.

#### MANUAL MODE

Can be used to turn the main burner on and manually regulate it from low through to high and back again. It can also be used to turn the main burner off leaving the pilot burning.

#### AUTO MODE

Will automatically regulate the room to a pre-set temperature.

#### TIMER MODE

Will turn the appliance on and off according to a pre-set programme and automatically regulate the room temperature during the two on periods.

## 5. Cleaning the Appliance



**IMPORTANT: THE OUTER PANNELLING OF THE GAZCO VOGUE IS MADE FROM CAST IRON. USE CAUTION WHEN INSTALLING, REMOVING AND STORING AS THE COMPONENTS ARE HEAVY AND SHOULD BE HANDLED CAREFULLY.**

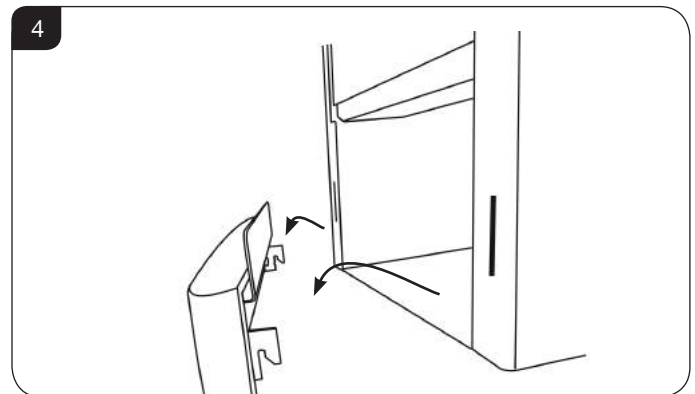
- 5.1 Make sure the fire and surrounds are cool before cleaning.

Use:

- A dry cloth to clean the appliance casting.
- A damp cloth for the glass front.

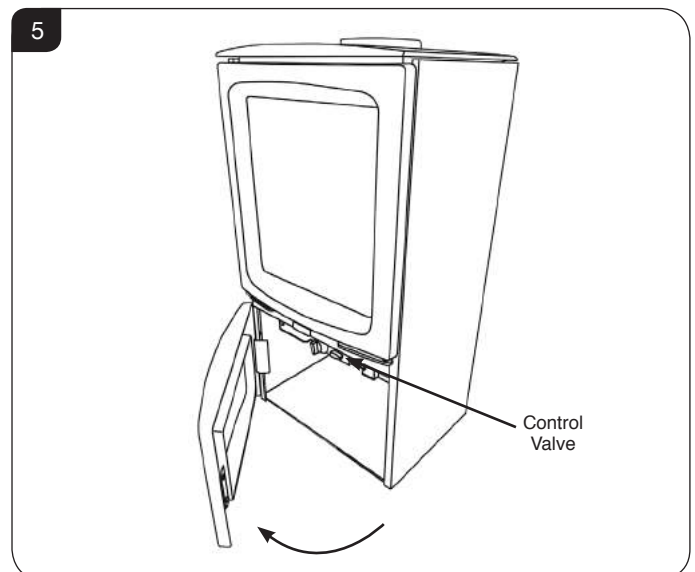
#### Midi Models

- 5.2 Remove the plinth to access the controls by lifting the hooks clear of the slots on the front of the appliance, see Diagram 4.



#### Midline Models

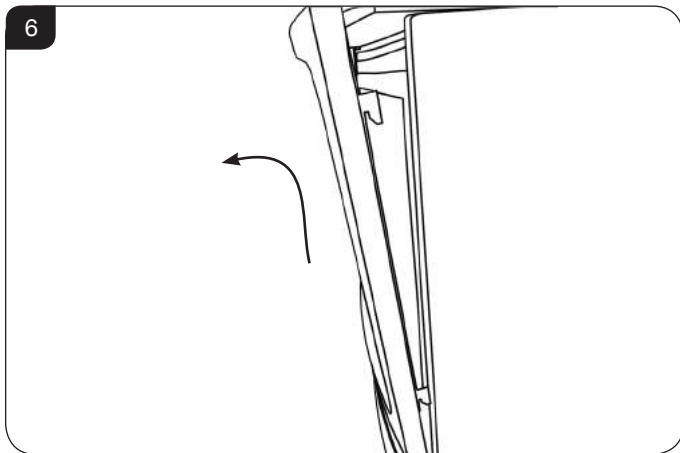
- 5.3 Pull the lower door open from the right hand side to access the controls, see Diagram 5.



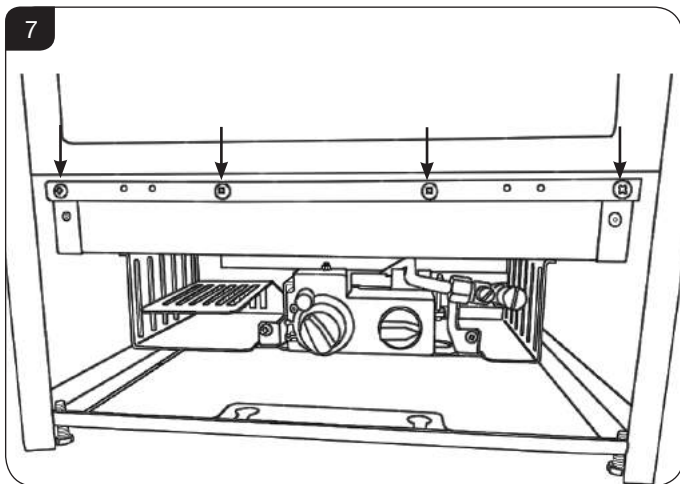


# User Instructions

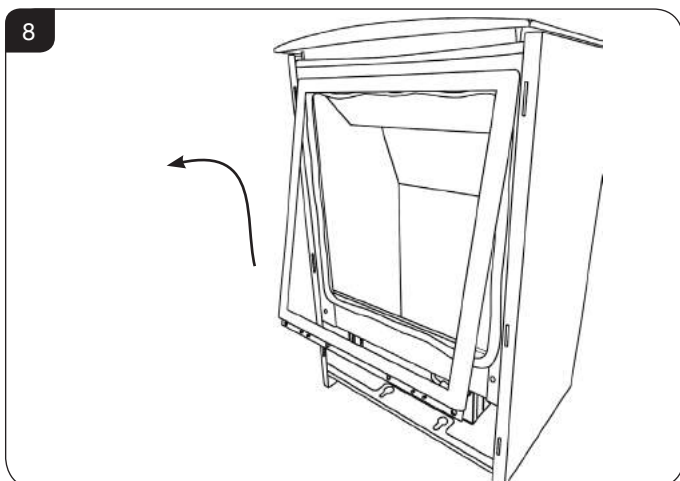
- 5.4 Remove the frame to gain access to the viewing aperture by lifting the hooks clear of the slots on the front of the appliance, see Diagram 6.



- 5.5 Using a screwdriver remove the 4 screws securing the window panel to the appliance, see Diagram 7. Take care to support the glass when removing the screws.



- 5.6 The frame can be removed by lifting the hooks clear of the slots from the bottom of the frame and lifting away from the appliance, see Diagram 8.



- 5.7 The glass frame must be refitted to the appliance following cleaning or servicing. Hold in position and secure with the screws.

- 5.8 Replace ALL of the securing screws ensuring that a screw is present in all fixing slots.



**UNDER NO CIRCUMSTANCES SHOULD THE APPLIANCE BE USED IF ANY OF THE GLASS FRAME RETAINING SCREWS ARE LOOSE OR MISSING.**

## 6. Arrangement of Fuel Bed

### Advice on handling and disposal of fire ceramics



The fuel effect in this appliance are made from Refractory Ceramic Fibre (RCF), a material which is commonly used for this application.

Protective clothing is not required when handling these articles, but we recommend you follow normal hygiene rules of not smoking, eating or drinking in the work area and always wash your hands before eating or drinking.

To ensure that the release of RCF fibres are kept to a minimum, during installation and servicing a HEPA filtered vacuum is recommended to remove any dust accumulated in and around the appliance before and after working on it. When servicing the appliance it is recommended that the replaced items are not broken up, but are sealed within heavy duty polythene bags and labelled as RCF waste.

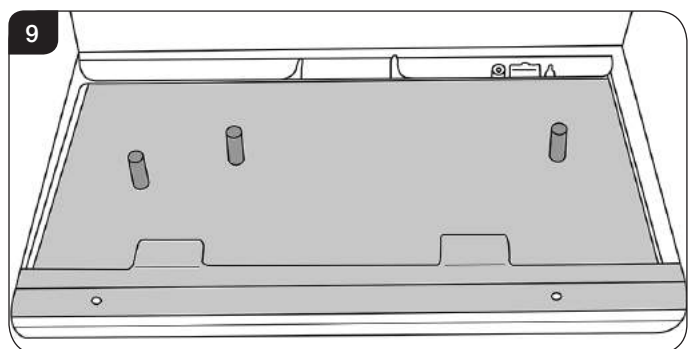
RCF waste is classed as stable, non-reactive hazardous waste and may be disposed of at a licensed landfill site.

Excessive exposure to these materials may cause temporary irritation to eyes, skin and respiratory tract; wash hands thoroughly after handling the material.

## 7. Log Layout

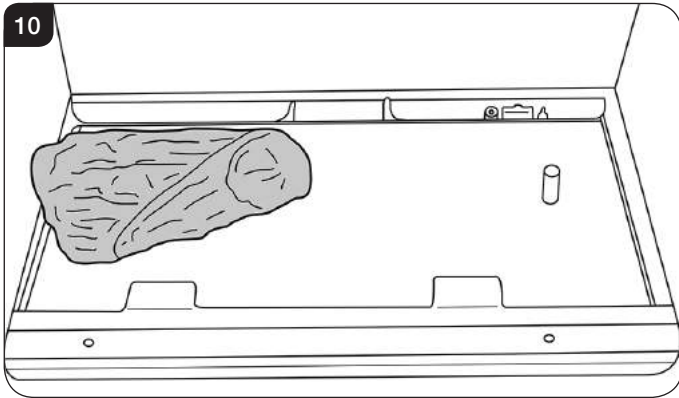
**LOGS MUST BE POSITIONED ACCORDING TO THE FOLLOWING INSTRUCTIONS TO GIVE THE CORRECT FLAME EFFECT.**

- 7.1 Ensure the burner tray is clean and free from any debris, see Diagram 9.

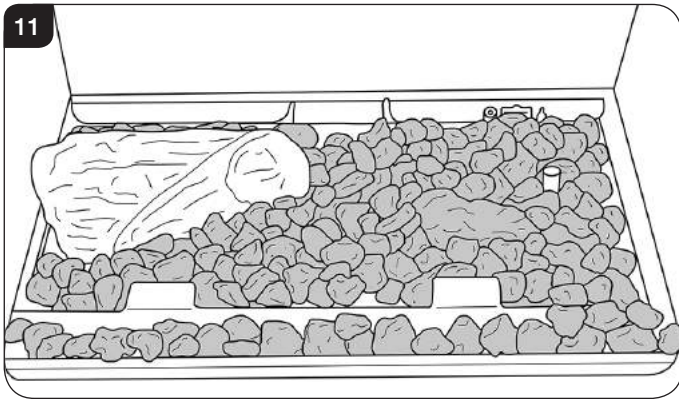


# User Instructions

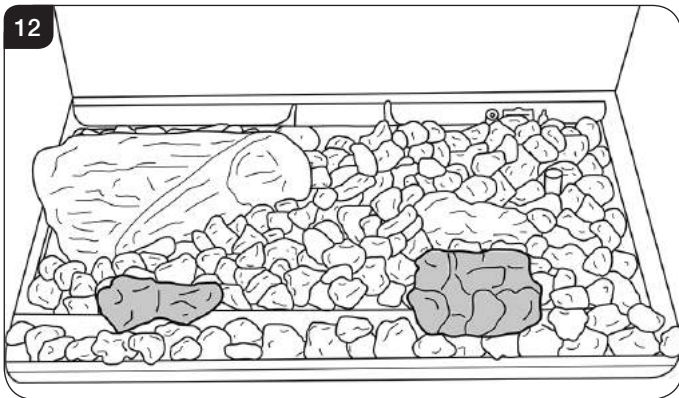
7.2 Place the first log in position on the 2 locating pins, see Diagram 10.



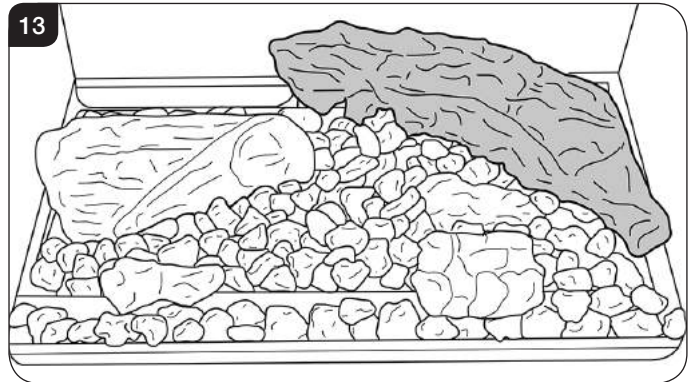
7.3 Spread the Lava Rock evenly over the fuel bed and around the first log, see Diagram 11.



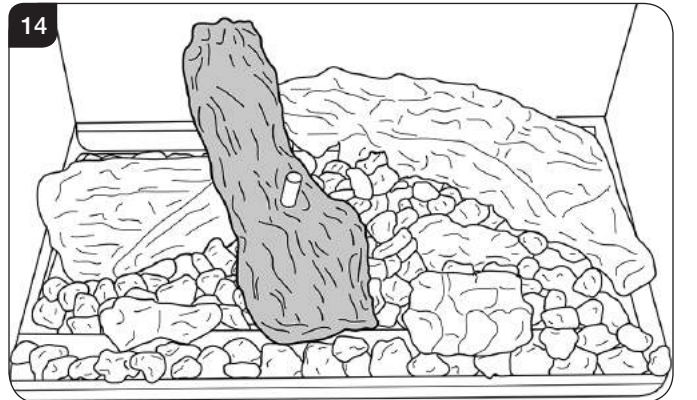
7.4 Position the 2 embers on the lip at the front of the fuel bed, see Diagram 12.



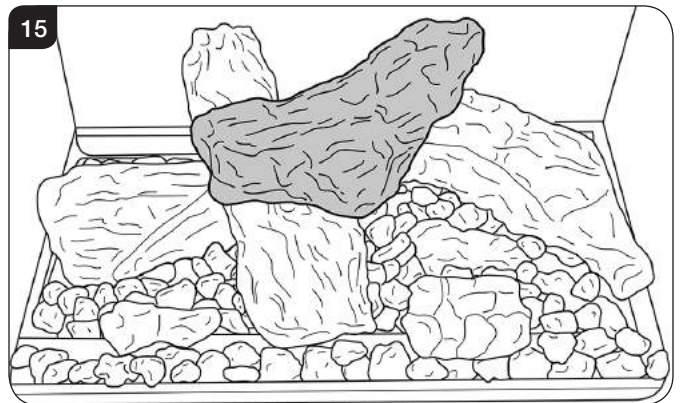
7.5 The second log is positioned on the right hand locating pin, and rests against the back liner, see Diagram 13.



7.6 The third log rests on the first and second logs with the locating pin facing up, see Diagram 14.



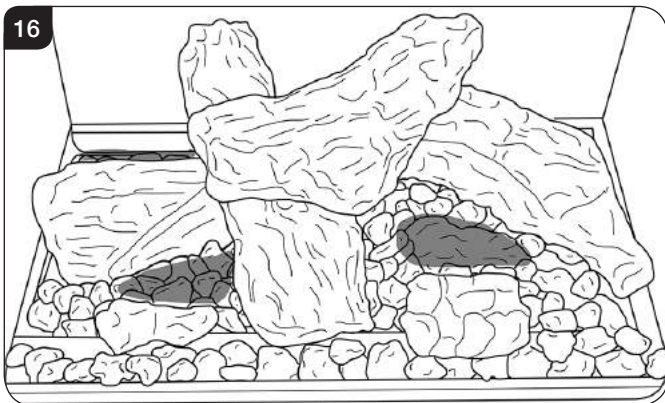
7.7 The fourth log fits onto the locating pin and rests on the second log, see Diagram 15.





# User Instructions

- 7.8 Spread a liberal amount of the Embaglow fibres provided on the sections highlighted, see Diagram 16.



## 8. Flame Failure Device

- 8.1 This is a safety feature incorporated on this appliance which automatically switches off the gas supply if the pilot goes out and fails to heat the thermocouple.

**IF THIS OCCURS DO NOT ATTEMPT TO RELIGHT THE APPLIANCE FOR 3 MINUTES.**

## 9. Running In

- 9.1 During initial use of a new Gazco appliance a strong odour will be encountered as various surface coatings become hot for the first time. Although these odours are harmless it is recommended that the appliance is operated on maximum for 4 to 8 hours in order to fully burn off these coatings. After this period the odours should then disappear.

If the odours persists, please contact your installer for advice.

- 9.2 During the first few hours of burning there may be discolouration of the flames. This will also disappear after a short period of use.

## 10. Servicing

- 10.1 The appliance must be serviced every 12 months by a qualified GasSafe Engineer. In all correspondence always quote the Model number and the Serial number which may be found on the Commissioning Checklist (Page 3).

## 11. Ventilation

- 11.1 This appliance requires no additional ventilation.

## 12. Installation Details

- 12.1 Your installer should have completed the commissioning sheet at the front of this book. This records the essential installation details of the appliance. In all correspondence always quote the Model number and Serial number.

## 13. Hot Surfaces

- 13.1 Parts of this appliance become hot during normal use. Regard all parts of the appliance as a 'working surface', except for the access to the controls.
- 13.2 Provide a suitable fire guard to protect young children and the infirm.

# Installation Instructions

## Technical Specification

Covering the following models:

MODEL	VOGUE MIDI	VOGUE MIDI MIDLINE
Nat Gas	563-055	563-079
LPG	563-451	563-477

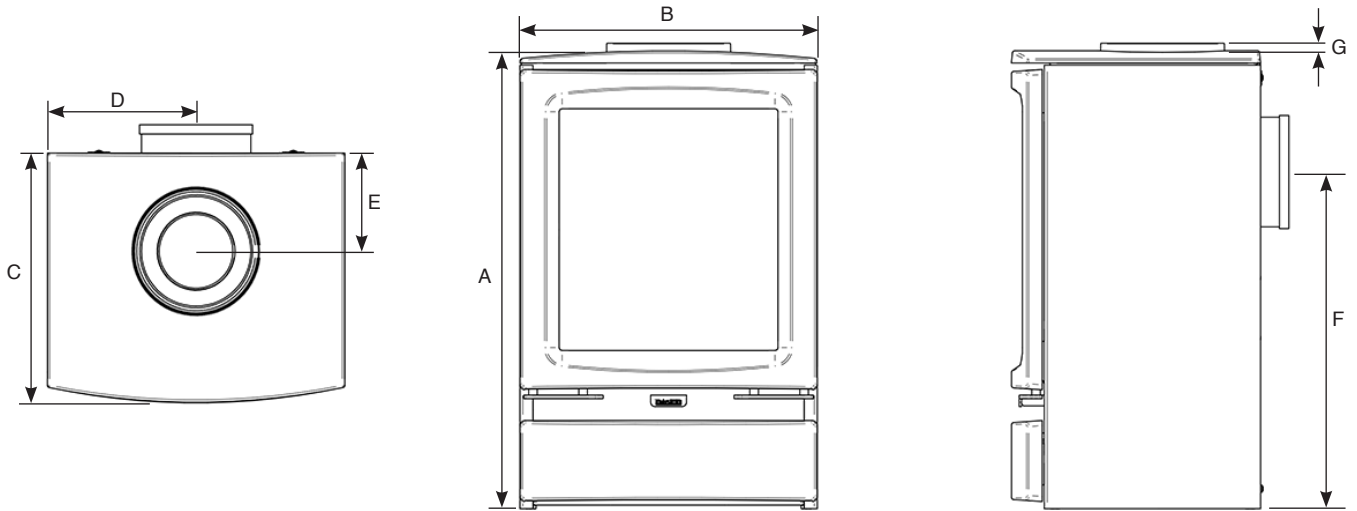
Model	Gas CAT.	Gas Type	Working Pressure	Aeration	Injector	Gas Rate m <sup>3</sup> /h	Input kW (Gross)		Country
							High	Low	
Vogue Midi	l <sub>2</sub> H	Natural (G20)	20mbar	2 x Ø5mm	063	0.457	4.8	2.5	GB, IE
	l <sub>3</sub> P	Propane (G31)	37mbar	2 x 16mm	184	0.177	4.8	2.5	
Vogue Midi Midline	l <sub>2</sub> H	Natural (G20)	20mbar	2 x Ø5mm	063	0.457	4.8	2.5	
	l <sub>3</sub> P	Propane (G31)	37mbar	2 x 16mm	184	0.177	4.8	2.5	
Rear Exit Wall Thickness - Min 200mm/ Max 550mm									
Efficiency Class 2 - 80%, NOx -									
Flue Outlet Size ø 150mm, Flue Inlet Size ø 100mm									
Gas Inlet Connection Size ø 8mm									

**i** The net efficiency of this appliance has been measured as specified in EN613:2001 and the result after conversion to gross using the appropriate factor from Table E4 of SAP 2009 is 75.5%. The test data has been certified by Kiwa Nederland B.V. The gross efficiency value may be used in the UK Government's Standard Assessment Procedure (SAP) for energy rating of dwellings.

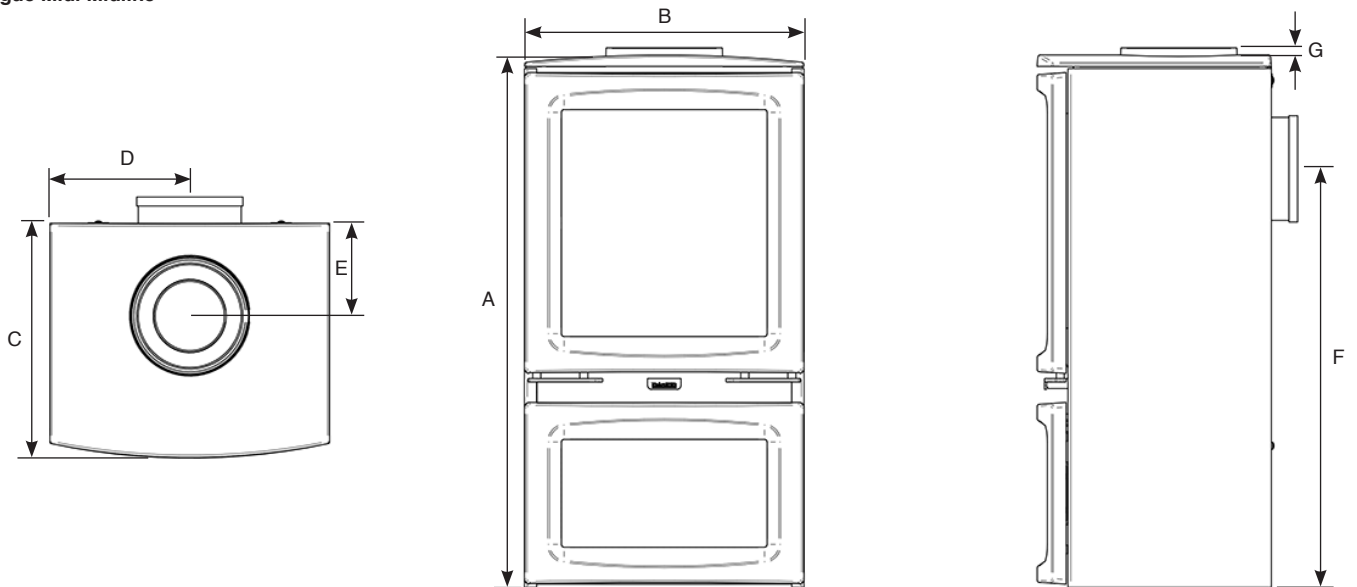
# Installation Instructions

## Technical Specification

**Vogue Midi**



**Vogue Midi Midline**



Model	A	B	C	D	E	F	G
Vogue Midi	639	416	348	208	137	470	11
Vogue Midi Midline	791	416	348	208	137	622	11

# Installation Instructions

## Technical Specification

This appliance has been certified for use in countries other than those stated. To install this appliance in these countries, it is essential to obtain the translated instructions and in some cases the appliance will require modification. Contact Gazco for further information.

### PACKING CHECKLIST

Qty Description	Fixing Kit containing:-
For Log Layout 1 x Log Set 1 x Packet of Embaglow	1 x Instruction Manual 2 x Wood Screws 2 x Rawl Plugs 2 x Self Tapping Screws 2 x Wingnuts 1 x Fixing Plate 2 x Washers 1 x 70mm Ø Flue Restrictor

RESTRICTOR REQUIREMENT - NAT GAS				
VERTICAL & HORIZONTAL FLUE			TOP EXIT - VERTICAL ONLY INCLUDING OFFSET	
Vertical Flue Height	Horizontal Length	Restrictor Size	Vertical Flue Height	Restrictor Size
500mm - 999mm	250mm - 500mm	No restrictor	3000 - 4999mm	Ø 52mm (Sliding)
1000mm - 1499mm	250mm - 1000mm	No restrictor	5000mm - 10,000mm	Ø 47mm (Sliding)
1500mm - 3000mm	250mm - 5000mm	Ø 70mm		

RESTRICTOR REQUIREMENT - LPG				
VERTICAL & HORIZONTAL FLUE			TOP EXIT - VERTICAL ONLY INCLUDING OFFSET	
Vertical Flue Height	Horizontal Length	Restrictor Size	Vertical Flue Height	Restrictor Size
500mm - 999mm	250mm - 500mm	Ø 75mm	3000mm - 4999mm	Ø 52mm (Sliding)
1000mm - 1499mm	250mm - 1000mm	Ø 75mm	5000mm - 10,000mm	Ø 47mm (Sliding)
1500mm - 3000mm	250mm - 5000mm	N/A		

# Installation Instructions

## Site Requirements

### 1. Flue and Chimney Requirements

**Note: This appliance must only be installed with the flue supplied.**

You must adhere to the following:

- 1.1 The flue must be sited in accordance with BS5440: Part 1 (latest edition), see Diagram 1.
- 1.2 Fit a guard to protect people from any terminal less than 2 metres above any access such as level ground, a balcony or above a flat roof.
- 1.3 All horizontal flues must be securely fixed and fire precautions followed in accordance with local and national codes of practice.
- 1.4 A restrictor may be required. Refer to Technical Specifications on page 12.

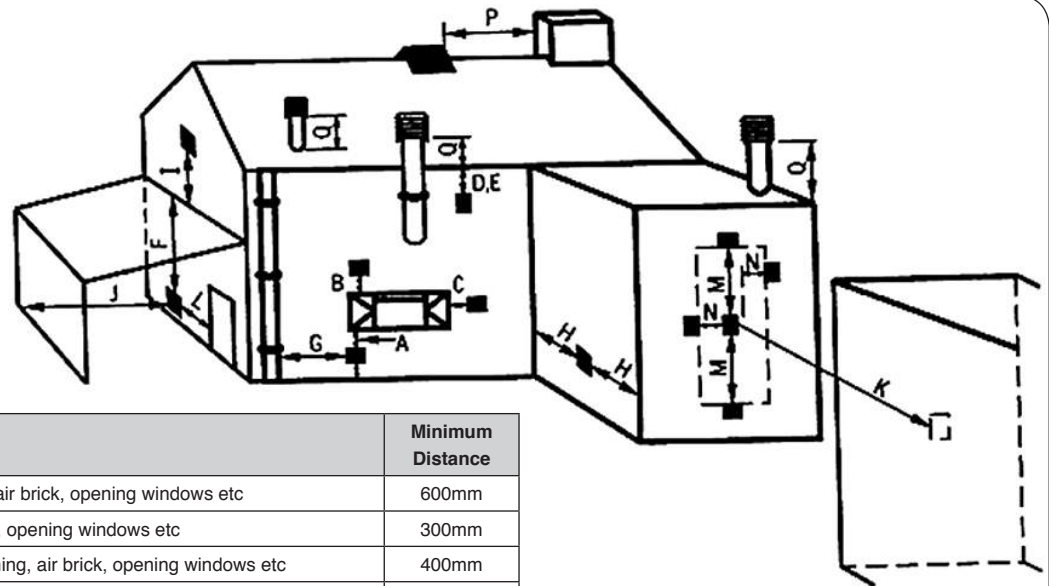
### 2. Timber Framed Buildings

- 2.1 To prevent a fire hazard, you must provide additional clearance when the appliance passes through a wall containing any combustible materials.
- 2.2 A steel sleeve must be inserted into the hole through which the flue passes to give an air gap of 25mm between the sleeve and any outside surface of the flue.
- 2.3 Contact your local buildings authority for further guidance on installing gas fires in timber framed buildings.

**Note: Make sure you provide adequate clearance at the sides and back of the appliance for servicing access.**

1

#### UK Dimensions



Dimension	Terminal Position	Minimum Distance
A*	Directly below an opening, air brick, opening windows etc	600mm
B*	Above an opening, air brick, opening windows etc	300mm
C*	Horizontally next to an opening, air brick, opening windows etc	400mm
D	Below gutters, soil pipes or drain pipe	300mm
E	Below eaves	300mm
F	Below balcony or car port roof	600mm
G	From a vertical drain pipe or soil pipe	300mm
H	From an internal or external corner	600mm
I	Above group roof or balcony level	300mm
J	From a surface facing the terminal	600mm
K	From a terminal facing the terminal	600mm
L	From an opening in the car port (e.g. door, window) into the dwelling	1200mm
M	Vertically from a terminal on the same wall	1500mm
N	Horizontally from a terminal on the same wall	300mm
O	From the wall on which the terminal is mounted	N/A
P	From a vertical structure on the roof	600mm
Q	Above intersection with roof	300mm

\* In addition, the terminal should not be nearer than 300mm to an opening in the building fabric formed for the purpose of accommodating a built-in element such as a window frame.



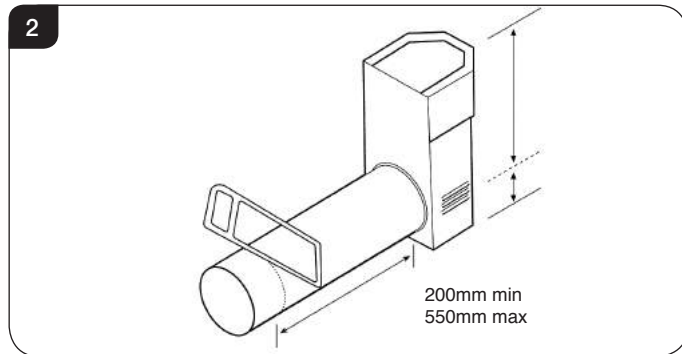
# Installation Instructions

## Site Requirements

### 3. Rear Flue

- 3.1 This flue extends horizontally from the back of the appliance, see Diagram 2.

#### ALL MODELS (8526)



Terminal dimensions:  
395 x 200 x 200 mm (H x W x D)  
Guard supplied  
Cut to length as required on site, see Diagram 2.

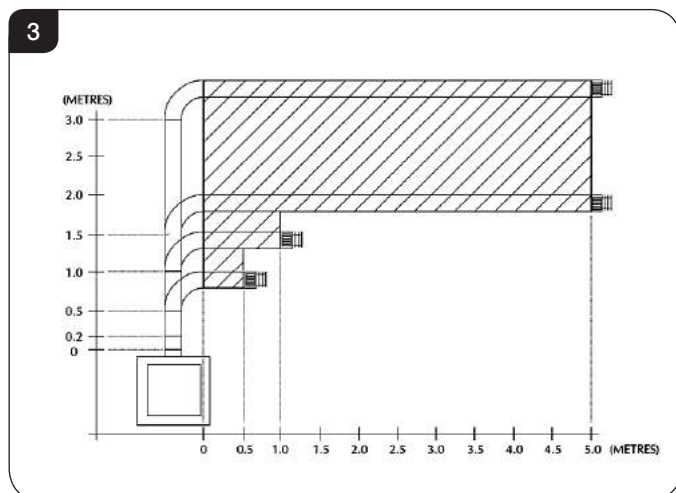
There are two types of flue terminal: horizontal (Section 3b) and vertical (Section 3d).

### 3a. Top Flue Up and Out Kit

- 3.2 This flue rises vertically from the top of the appliance, then continues horizontally outward, see Diagrams 3. The basic kit comprises:

#### Vogue Midi BF (8523/8523AN)

1 x 500mm vertical length  
1 x 500mm terminal length  
1 x 90 degree elbow  
1 x wall plate  
1 x 52mm restrictor  
1 x 60mm restrictor  
1 x 75mm restrictor  
4 x fixing screw



- 3.3 This kit provides the minimum materials. Extra lengths can be added to the vertical and horizontal sections; refer to Section 4.
- 3.4 Refer to Installation Instructions, Technical Specification on page 10 to identify when to use a restrictor.

### 3b. For horizontal terminal installations:

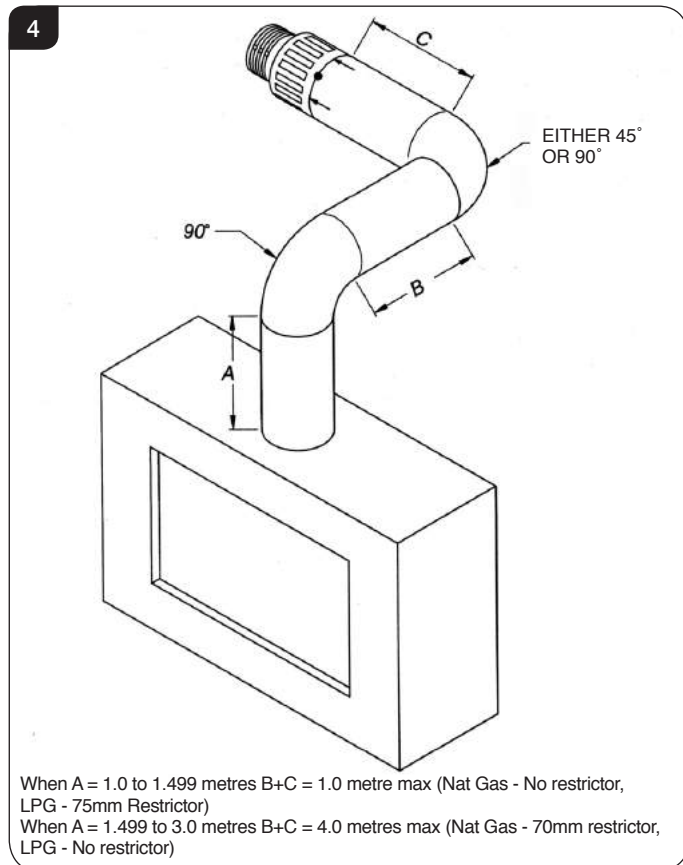
- 3.5 Decide on the terminal position.
- 3.6 Measure the height from the top of the appliance to the centre of the required hole. For minimum and maximum dimensions see Diagram 3 & 4.
- 3.7 To fit the flue you must have access to the top or the side of the appliance to connect the flue.
- 3.8 Assemble the vertical sections making sure the top plate and flue collar are fitted before the flue pipe.
- 3.9 Add the 90° elbow.
- 3.10 Add the horizontal section and terminal. **Only the horizontal terminal can be reduced in size.**
- 3.11 A masonry installation requires the addition of a suitable lintel to support the opening. Refer to Installation Instructions, Technical Information for details of the flue length.

# Installation Instructions

## Site Requirements

### 3c. Top Flue Up and Out with Additional Bend

3.12 An additional bend can be used on the horizontal section (45° or 90°) but the overall horizontal flue is reduced, see Diagram 4.



### 3d. Top Flue Vertical Kit (999-539/999-539AN)

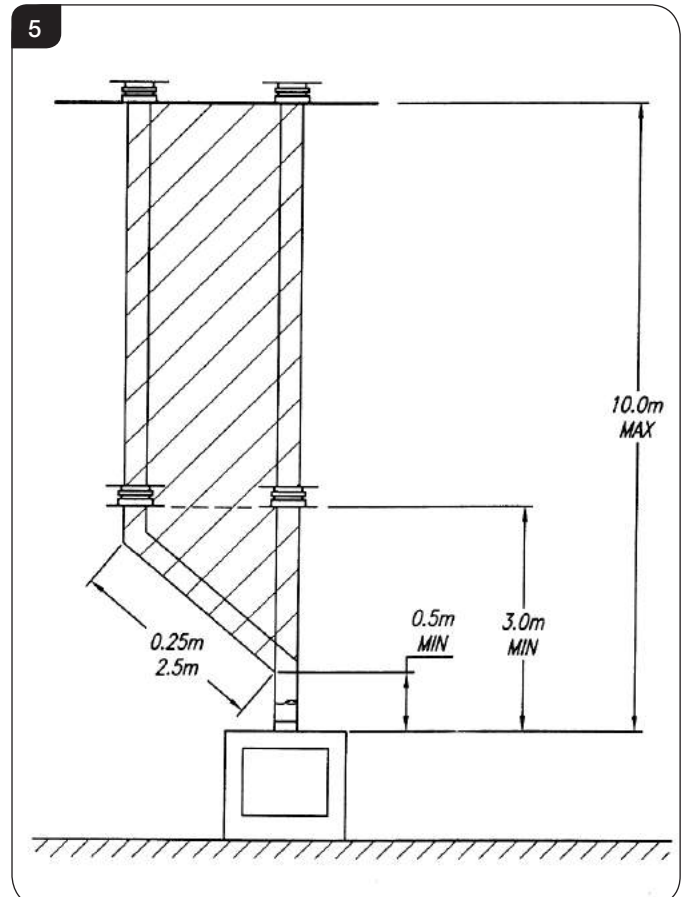
3.13 This flue is vertical from the top of the appliance, see Diagram 6. A minimum vertical rise of 3m (9'10") to a maximum of 10m (32'10").

The basic kit comprises:

- 2 x 1m lengths
- 1 x 1m terminal lengths
- 1 x 52mm restrictor (sliding plate assembly)
- 1 x 47mm restrictor (sliding plate assembly)

3.14 Extra lengths can be added, see Diagram 5.

3.15 Refer to Installation Instructions, Technical Specification to identify when to use a restrictor.



### 3e. Top Flue Vertical Offset Kit (8530/8530AN)

3.16 Used with kit 999-539. A minimum rise of 500mm (19½") is required to the first bend, see Diagram 5.

### 4. Optional Extra Flue Lengths and Bends

Nominal Length	Actual Length	Stainless Finish	Anthracite Finish
200mm	140mm	8527	8527AN
500mm	440mm	8528	8528AN
1000mm	940mm	8529	8529AN
45° Bend	N/A	8507	8507AN
90° Bend	N/A	8508	8508AN
Optional Flue Collar		8548MB	

# Installation Instructions

## Site Requirements

### 5. Gas Supply

This appliance is intended for use on a gas installation with a governed meter.

- 5.1 Before installation, ensure that the local distribution conditions (identification of the type of gas and pressure) and the adjustment of the appliance are compatible.
- 5.2 Ensure the gas supply delivers the required amount of gas and is in accordance with the rules in force.
- 5.3 You can use soft copper tubing on the installation and soft soldered joints outside the appliance and below the fire.
- 5.4 A factory fitted isolation device is part of the inlet connection; no further isolation device is required.
- 5.5 All supply gas pipes must be purged of any debris that may have entered prior to connection to the appliance.
- 5.6 The gas supply enters underneath the rear of the outer box:
- 5.7 The gas supply must be installed in a way that does not restrict the removal of the appliance for servicing and inspection.

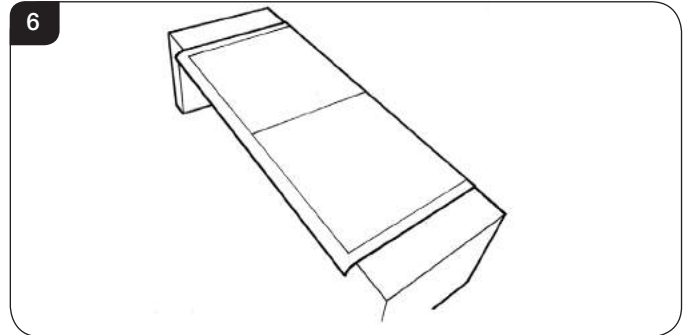
### 6. Ventilation

- 6.1 This appliance requires no additional ventilation.

### 7. Appliance Location

- 7.1 This appliance has been designed to stand on either a hearth or an optional bench:  
RVACLB100B - Riva Bench Low (100cm wide)  
RVACB100B - Riva Bench (100cm wide)  
RVACLB120B - Riva Bench Low (120cm wide)  
RVACB120B - Riva Bench (120cm wide)  
RVACLB140B - Riva Bench Low (140cm wide)  
RVACB140B - Riva Bench (140cm wide)
- 7.2 **To Install the Bench:**  
Follow Section 1 Installation - All Models in Installation guide PM205 supplied with the bench kit.

- 7.3 To secure the appliance to the bench:  
You must consider where you place the appliance on the bench before drilling the bench, see Diagram 6.



Once the position of the appliance has been decided:  
Follow the instructions for securing the appliance on Page 19.

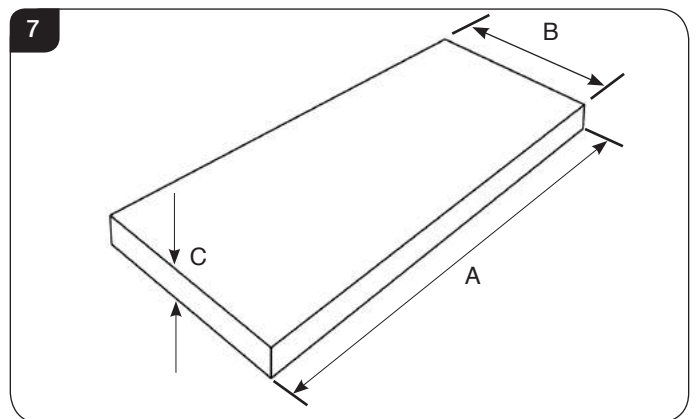
- 7.4 The non-combustible hearth must be at least 12mm thick, and project a minimum of 50mm from the base of the appliance in all directions.
- 7.5 The appliance is not suitable for installation against a combustible wall. A combustible side wall must be a minimum of 150mm from the appliance.
- 7.6 This appliance can be installed with an up and out flue (vertical wall - horizontal flue) or with a vertical flue with roof termination (see **Flue Options, Section 2 Site Requirements**).



**NOTE: It is not recommended to install Midline models on a bench.**

#### HEARTH INSTALLATION

- 7.7 Building Regulations state this appliance must stand on a non-combustible hearth that is at least 12mm thick and projects 50mm minimum from the base of the appliance in all directions, however Gazco recommend the hearth extends to the following dimensions, see Diagram 7.



Dimensions	A	B	C
Vogue Midi	716mm	498mm	12mm

# Installation Instructions

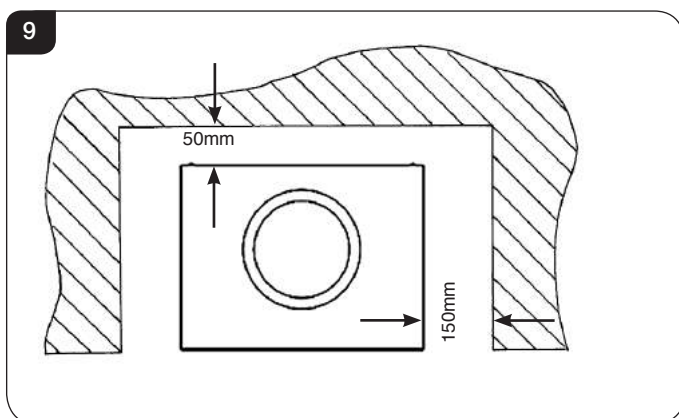
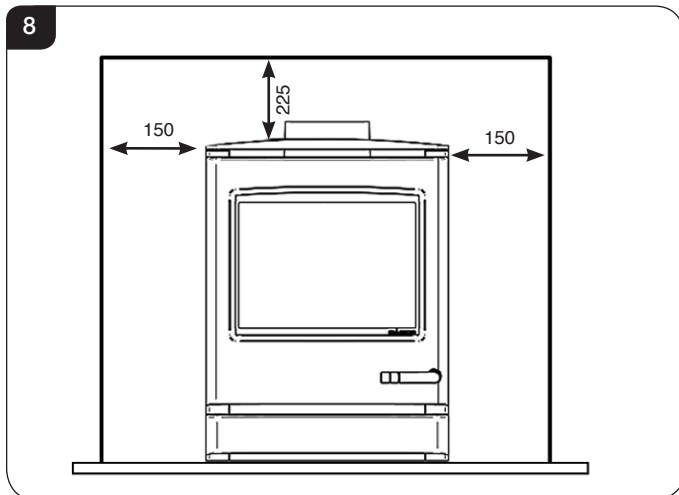
## Site Requirements

### MINIMUM CLEARANCE

- 7.8 The appliance is not suitable for installation against a combustible wall. All combustible materials must be removed from behind the appliance.
- 7.9 **Ensure that all minimum clearances to combustible materials are complied with, see Diagrams 8 & 9.**

The specified clearances provide the minimum distance to combustible materials. If the appliance is intended to be installed into a non-combustible opening the clearance to the **sides and above** the appliance can be reduced. However, it is recommended that the specified clearances are maintained irrespective of the materials used in the construction of the opening to allow adequate air flow and access to controls.

**The clearance at the rear of the appliance must always be a minimum of 50mm.**



# Installation Instructions

## 1. Safety Precautions

- 1.1 For your own and other's safety, you must install this appliance according to local and national codes of practice. Failure to install the appliance correctly could lead to prosecution. **Read these instructions before installing and using this appliance.**
- 1.2 These instructions must be left intact with the user.
- 1.3 Do not attempt to burn rubbish on this appliance.
- 1.4 Keep all plastic bags away from young children.
- 1.5 Do not place any object on or near to the appliance and allow adequate clearance above the appliance.

**IF THE APPLIANCE IS EXTINGUISHED OR GOES OUT IN USE, WAIT 3 MINUTES BEFORE ATTEMPTING TO RELIGHT THE APPLIANCE.**

**i** **IMPORTANT: REFER TO DATA BADGE AND TECHNICAL SPECIFICATION AT THE FRONT OF THE MANUAL TO ENSURE THE APPLIANCE IS CORRECTLY ADJUSTED FOR THE GAS TYPE AND CATEGORY APPLICABLE IN THE COUNTRY OF USE.**

**FOR DETAILS OF CHANGING BETWEEN GAS TYPES REFER TO SERVICING, SECTION 14, REPLACING PARTS.**

## Unpacking

- 1.6 Remove the appliance from its packaging, and check that it is complete and undamaged.
  - 1.7 The cast plate is stored on top of the appliance. Remove and store in a safe place.
- Put the loose ceramic parts to one side so that they are not damaged during installation.

## 2. Upgrading the Appliance

- 2.1 The appliance is fitted with a control valve that can easily be upgraded to battery powered remote control. There are two versions of this control which can be obtained through your local Gazco stockist. There is no requirement for this upgrade to be carried out by an approved Gas engineer. However Gazco recommend that this task is undertaken by a suitably competent person.
- 2.2 This upgrade can be fitted before or after installation but if side clearances are limited then it will be easier to upgrade the appliance before installation. Full instructions are included with the kit.

## Standard Remote Control (PART NUMBER 8455)

- 2.3 This remote control can control the gas appliance after the pilot has been lit. It can turn the main burner on and regulate it from low through to high and back again. It can turn the main burner off leaving the pilot burning.

## Thermostatic and Timer Remote Control (PART NUMBER 8456)

- 2.4 This remote control can control the gas appliance after the pilot has been lit.

### MANUAL MODE

Can be used to turn the main burner on and manually regulate it from low through to high and back again. It can also be used to turn the main burner off leaving the pilot burning.

### AUTO MODE

Will automatically regulate the room to a pre-set temperature.

### TIMER MODE

Will turn the appliance on and off according to a pre-set programme and automatically regulate the room temperature during the two on periods.

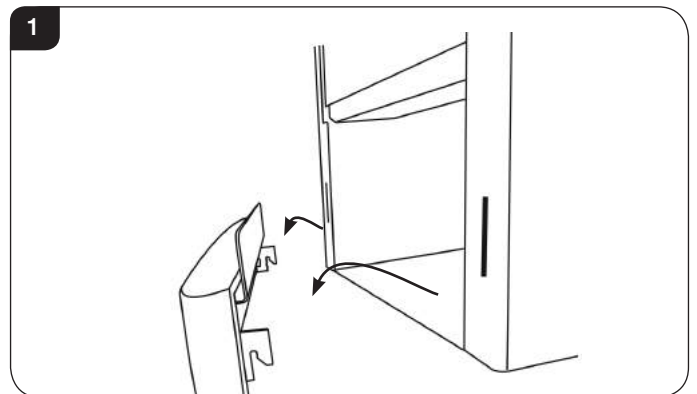
## 3. Installation of the Appliance



**IMPORTANT: THE OUTER PANNELLING OF THE VOGUE MIDI IS MADE FROM CAST IRON. USE CAUTION WHEN INSTALLING, REMOVING AND STORING AS THE COMPONENTS ARE HEAVY AND SHOULD BE HANDLED CAREFULLY.**

### Vogue Midi

- 3.1 Remove the plinth to access the controls by lifting the hooks clear of the slots on the front of the appliance, see Diagram 1.

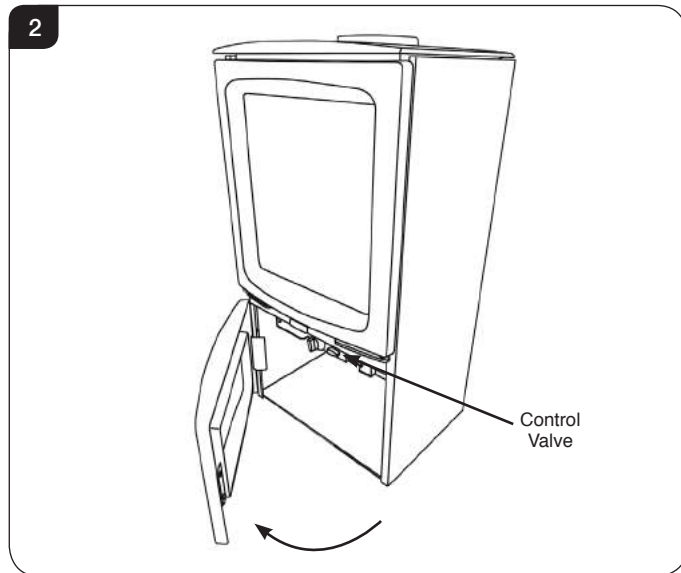




# Installation Instructions

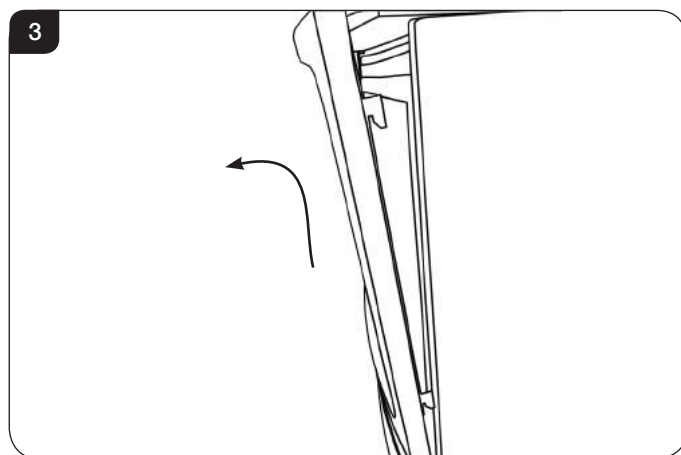
## Vogue Midi Midline

- 3.2 Pull the lower door open from the right hand side to access the controls, see Diagram 2.



## All Models

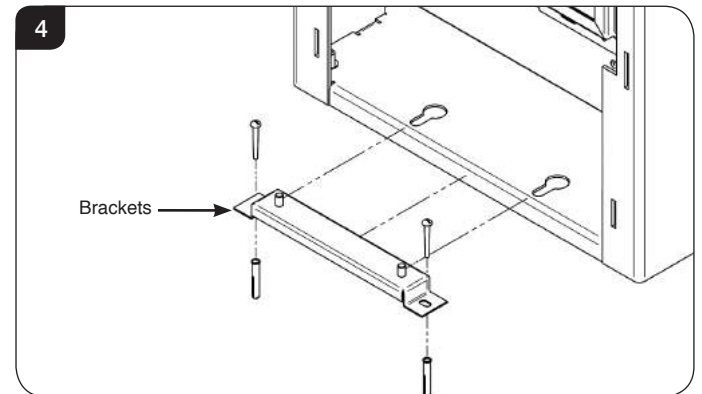
- 3.3 Remove the frame to gain complete access to the control valve and the viewing aperture by lifting the hooks clear of the slots on the front of the appliance, see Diagram 3.



## SECURING THE APPLIANCE TO THE HEARTH

**The appliance sits on a mounting bracket to secure it in place to either the hearth or bench.**

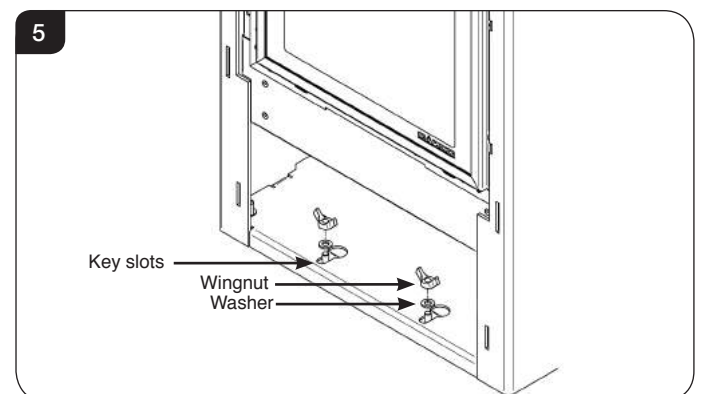
- 3.4 Position the appliance:  
Loosely attach the bracket to the appliance and place centrally on the hearth OR in the desired position on the bench. Remove the appliance leaving the bracket in the correct position and mark the holes to drill the bracket screws, see Diagram 4.



- 3.5 Remove the bracket and drill the guide holes.  
3.6 Fix the bracket either to the hearth or the bench, see Diagram 3.

**NOTE: Use the wood screws and rawl plugs in the fixing kit supplied for hearth mounting installations and the self tapping screws for installation onto a bench.**

- 3.7 Lift the appliance so as to locate the key slots in the carcass onto the fixing screws. There are two large holes the lower flanges on the front edges of the base, see Diagram 5.

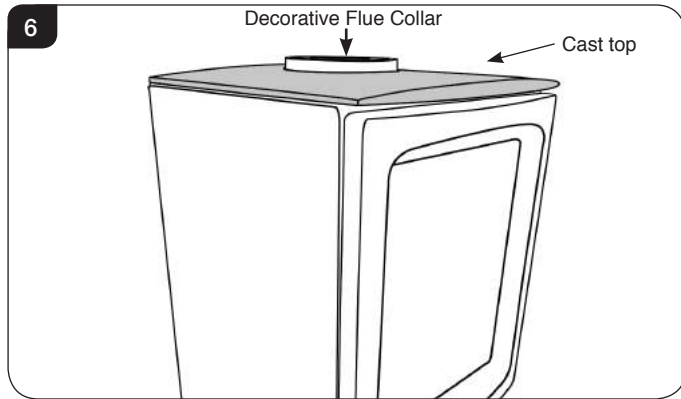


- 3.8 Place the 2 large washers over the studs and fix with 2 wingnuts, see Diagram 5.

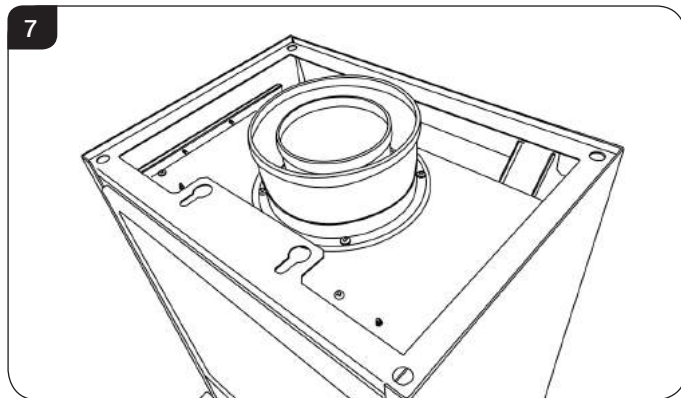
# Installation Instructions

## 4. Top or Rear Exit

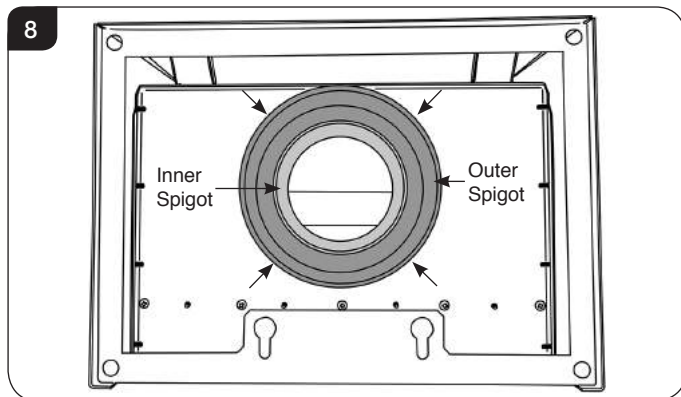
- 4.1 Before locating the appliance choose the correct flue outlet position.
- 4.2 The appliance is supplied as a top exit configuration. To switch outlets remove the cast top plate and decorative flue collar, see Diagram 6.



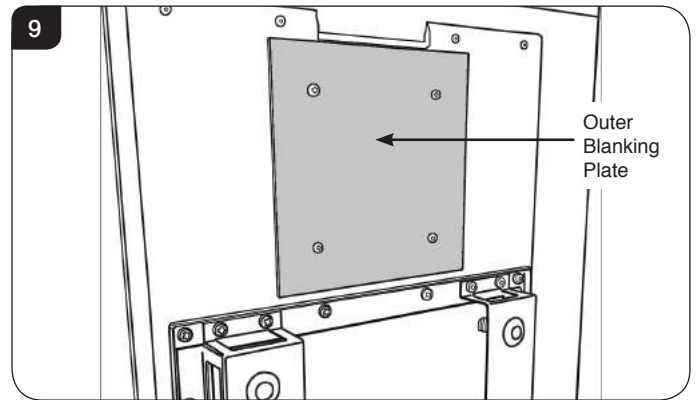
- 4.3 The cast top plate lifts off to give access to the inner and outer flue spigots, see Diagram 7.



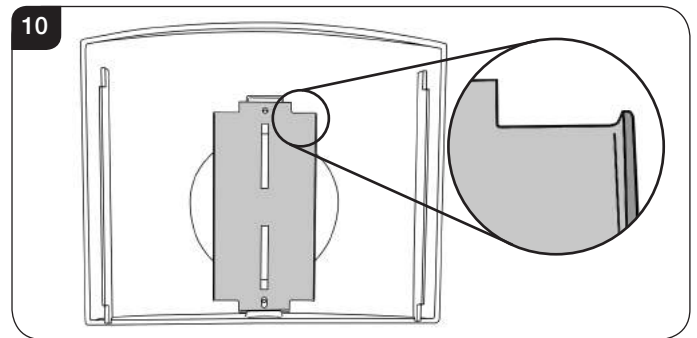
- 4.4 Remove the 8 screws securing the inner & outer spigots, see Diagram 8.



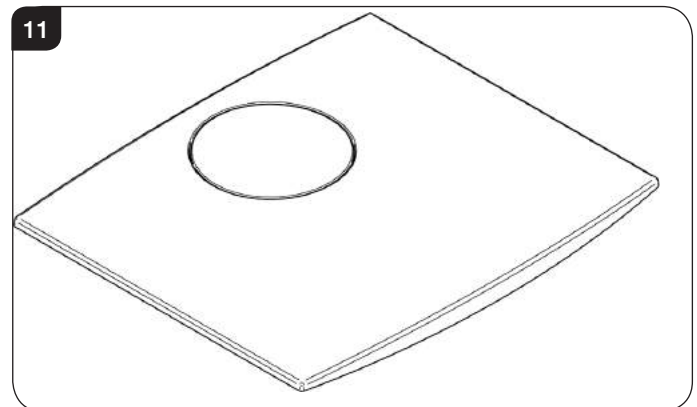
- 4.5 Swap the inner and outer flue spigots **only** with the inner and outer blanking plates on the rear of the appliance, see Diagram 9.



- 4.6 Attach the decorative flue blanking plate support bracket to the underside of the cast top using the screws provided. Ensure the folded return is pressed against the cast top, see Diagram 10.

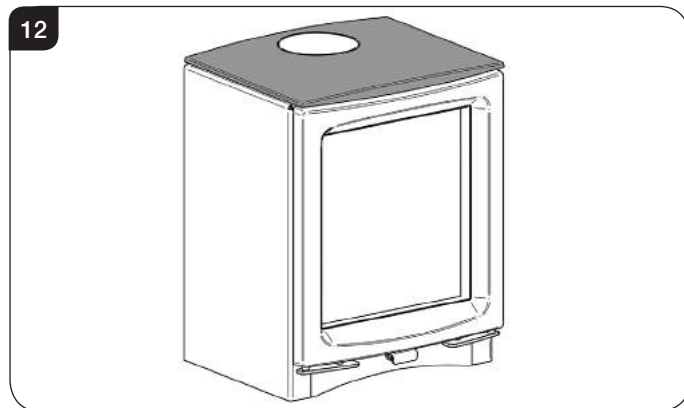


- 4.7 Sit the decorative flue blanking plate in position, see Diagram 11.



# Installation Instructions

- 4.8 Replace the cast top. When fitted properly the cast plate should sit flush with the rear of the stove, see Diagram 12.



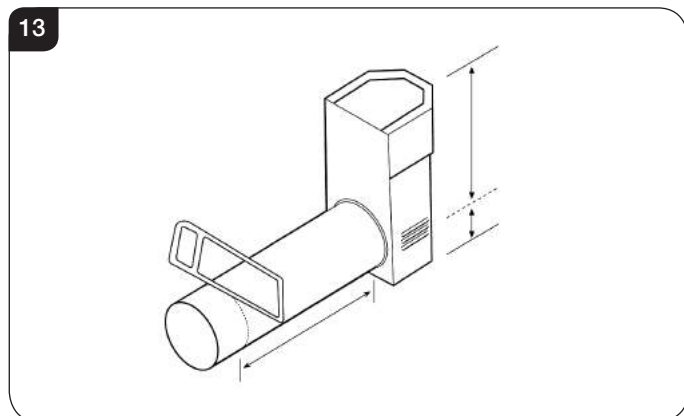
## 5. Flue Assembly

- 5.1 Refer to **Site Requirements** page 15 onward.

### 5a. Rear EXIT - Horizontal flue

#### Flue Length

- 5.2 Measure the total wall thickness and add 75mm.
- 5.3 The total flue length gives a minimum clearance of 50mm between the rear of the appliance and the wall.
- 5.4 Insert the square cardboard sleeve into the flue to support the inner tube.
- 5.5 Cut through the flue and sleeve, see Diagram 13.



- 5.6 **REMOVE THE CARDBOARD REMNANTS FROM THE FLUE.**
- 5.7 File the cut edges smooth.

#### Terminal

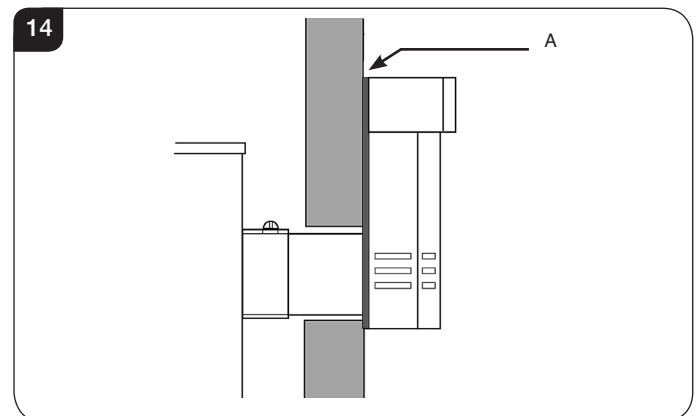
On the outside wall:

- 5.8 Position the flue assembly into the hole. The terminal should be flat against the wall.
- 5.9 Make sure the terminal is vertical, see Diagram 14.
- 5.10 Mark the four fixing holes.
- 5.11 Remove the terminal to drill the holes.
- 5.12 Insert wall plugs supplied.

**DO NOT FIX THE FLUE AT THIS STAGE.**

#### Flue and Appliance Fixings

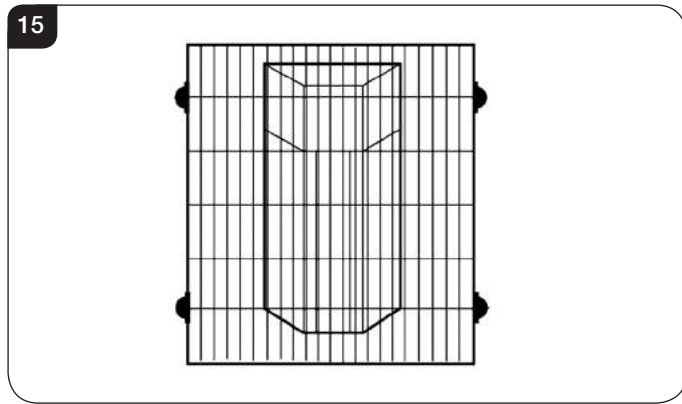
- 5.13 Position the appliance observing appropriate clearances.
- 5.14 Apply a bead of suitable weatherproof sealant (silicone or similar) to perimeter of back face of terminal, see Diagram 14.



- 5.15 Feed the flue through the wall, making sure it runs smoothly.
- On the inside wall:
- 5.16 Engage the flue in the inner and outer spigots.
- 5.17 Make sure rubber seals on the spigots are not damaged.
- From outside:
- 5.18 Insert four screws in the flanges of the flue terminal.
- 5.19 Check sealant has formed a water-tight joint to the wall.

# Installation Instructions

- 5.20 Any terminal less than 2m above any access (level ground, balcony or flat roof with access) must be fitted with the guard supplied, see Diagram 15.



## 5b. Top Exit - Up & Out

**ENSURE THE BLACK DECORATIVE TOP AND COLLAR ARE FITTED TO THE TOP OF THE APPLIANCE PRIOR TO INSTALLATION OF A TOP FLUE EXIT. THIS MUST BE POSITIONED BEFORE INSTALLING THE FLUE.**

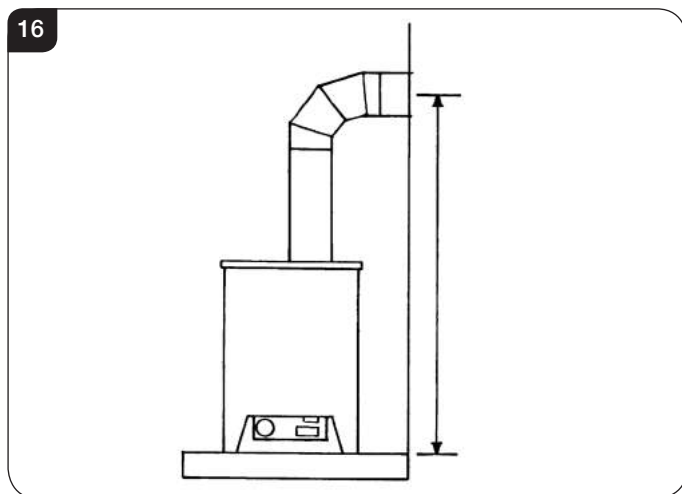
**A restrictor may be required with top exit flues. See Technical Specification on page 12 for restrictor sizes.**

### Wall Plate

- 5.21 A wall plate is supplied to secure the flue to the inside wall. Bend the securing tab to 90° and slot the plate over the flue before bringing the flue through the wall.
- 5.22 Mark the fixing holes using the wall plate as a template. The tab can be above or beneath the flue, see Diagram 17.

### Flue Aperture

- 5.23 Mark the height from the top of the hearth to the centre of the horizontal section, see Diagram 16.



- 5.24 **TAKE CARE TO MARK OUT THE FLUE CORRECTLY. IT IS DIFFICULT TO MOVE AFTER INSTALLATION.**

- 5.25 Create a 152mm (6") diameter hole for the flue using either:  
a) a core drill, or  
b) a hammer and chisel

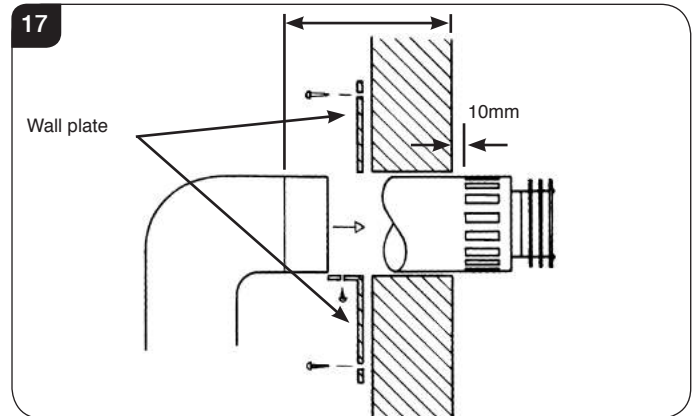
- 5.26 Make good at both ends of the hole.

### Flue Length

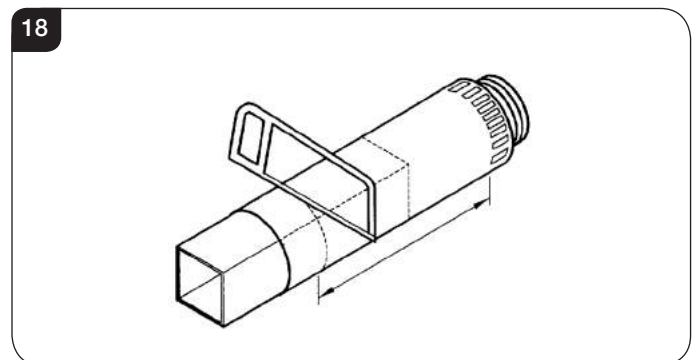
- 5.27 The final length of the flue pipe includes the terminal. The terminal is the only section that can be shortened.

**DO NOT SHORTEN ANY OTHER SECTION OF FLUE PIPE.**

- 5.28 Measure from the outside of the wall to the stop on the 90° elbow.
- 5.29 Fit horizontal flue section between the elbow and the terminal at this stage, if required, see Diagram 17.



- 5.30 Mark the correct length all the way around the flue terminal section, see Diagram 17.
- 5.31 Insert the square cardboard sleeve into the flue to support the inner tube.
- 5.32 Cut through the flue and sleeve, see Diagram 18.



- 5.33 **REMOVE THE CARDBOARD REMNANTS FROM THE FLUE.**
- 5.34 File the cut edge smooth.

### Flue and Appliance Fixings

- 5.35 Pull appliance and flue assembly away from the hearth.
- 5.36 Drill 4 fixing holes for the wall plate and insert wall plugs supplied.
- 5.37 Put the horizontal flue onto the elbow and reposition the appliance.

# Installation Instructions

- 5.38 Check the flue runs smoothly through the wall.
- 5.39 Fix the wall plate to the wall using the 4 black screws provided.
- 5.40 Drill through the fixing tab of the wall plate using a 3.5mm drill.
- 5.41 Secure with the screw provided.
- 5.42 Make good and weatherproof around the outside of the flue.

## 5c. Top Exit – Vertical Flue

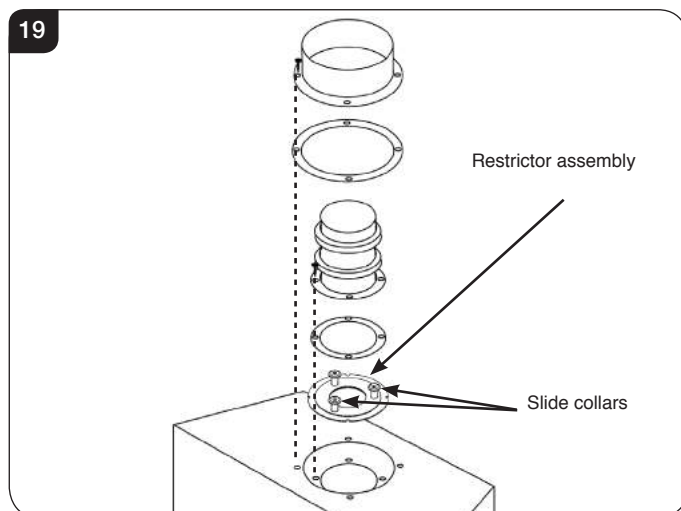
- 5.43 Where a vertical only flue system has been purchased, refer to Installation & Instructions, Site Requirements, Section 3D.
- 5.44 Pay careful attention to the following:

Terminal positions  
Flue supports  
Weatherproofing  
Fire precautions

- 5.45 Local and national codes of practice must be followed for all the above.
- 5.46 **A restrictor must be fitted with vertical flues. See Technical Specification on page 12 for restrictor sizes.**

**PLEASE NOTE: When installing the appliance in conjunction with a vertical termination kit, there is a unique kit for use with this appliance (Gazco Part No. 999-539). This kit differs in that it has restrictors with sliding plates. Please ensure you have the correct kit before proceeding with the installation.**

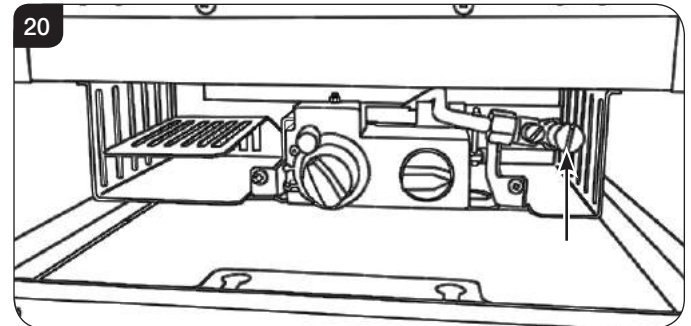
- 5.47 It is important that the sliding restrictor assembly is used. The restrictor assembly must be fitted with the slide collars uppermost and the top restrictor plate must be checked to ensure it moves freely before the flue is fitted.



## 6. Gas Soundness Pressure Check

This is essential to expel any debris that may block the gas controls.

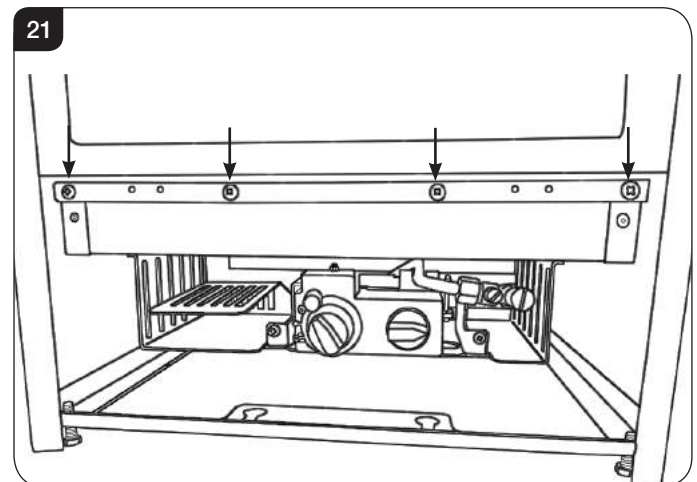
- 6.1 Connect the gas to the 8mm elbow on the rear of the appliance, see Diagram 20.



- 6.2 Connect a suitable pressure gauge to the test point located on the inlet fitting and turn the gas supply on. Light the appliance and check all gas joints for possible leaks. Turn the appliance to maximum and check that the supply pressure is as stated on the databadge. Turn the gas off and replace the test point screw, turn the gas on and check the test point for leaks.

## 7. Removing the Glass

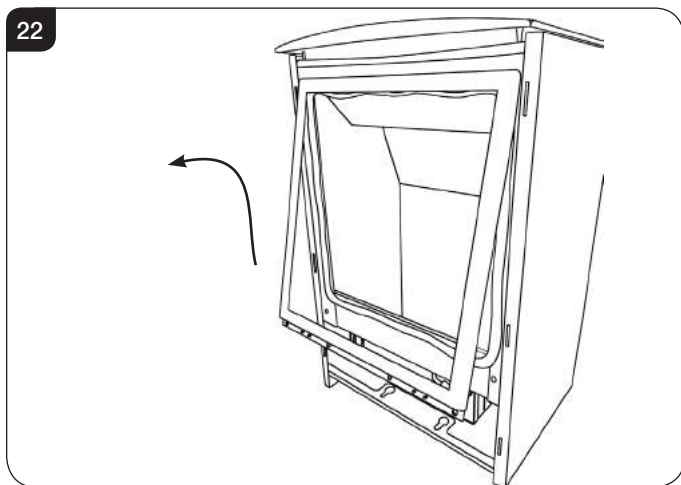
- 7.1 Using a screwdriver remove the 4 screws securing the window panel to the appliance, see Diagram 21. Take care to support the glass when removing the screws.






# Installation Instructions

- 7.2 The frame can be removed by lifting the hooks clear of the slots from the bottom of the frame and lifting away from the appliance, see Diagram 22.



## 8. Arrangement of the Fuel Bed

### Advice on handling and disposal of fire ceramics



The fuel effect of the log version of this appliance is made from Refractory Ceramic Fibre (RCF), a material which is commonly used for this application.

Protective clothing is not required when handling these articles, but we recommend you follow normal hygiene rules of not smoking, eating or drinking in the work area and always wash your hands before eating or drinking.

To ensure that the release of RCF fibres are kept to a minimum, during installation and servicing a HEPA filtered vacuum is recommended to remove any dust accumulated in and around the appliance before and after working on it. When servicing the appliance it is recommended that the replaced items are not broken up, but are sealed within heavy duty polythene bags and labelled as RCF waste.

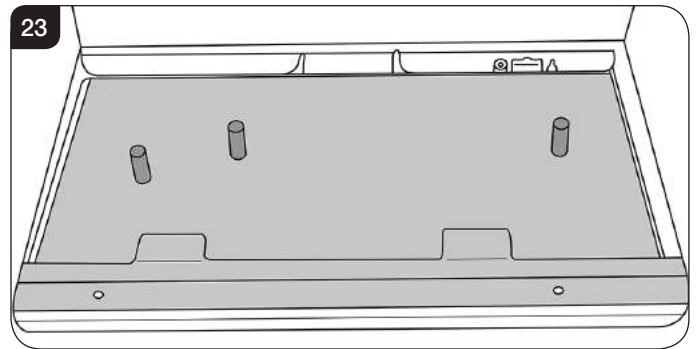
RCF waste is classed as stable, non-reactive hazardous waste and may be disposed of at a licensed landfill site.

Excessive exposure to these materials may cause temporary irritation to eyes, skin and respiratory tract; wash hands thoroughly after handling the material.

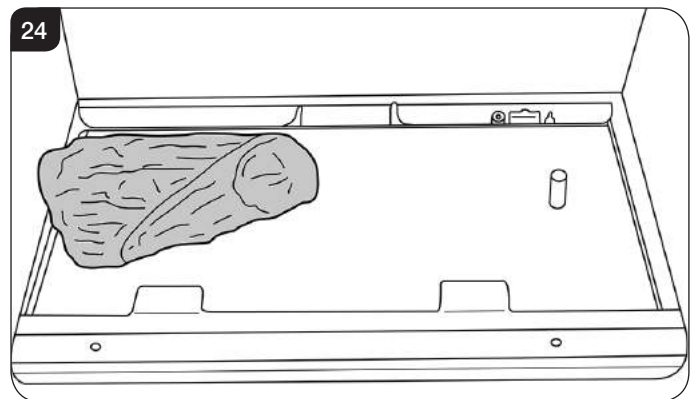
## Log Layout

**LOGS MUST BE POSITIONED ACCORDING TO THE FOLLOWING INSTRUCTIONS TO GIVE THE CORRECT FLAME EFFECT**

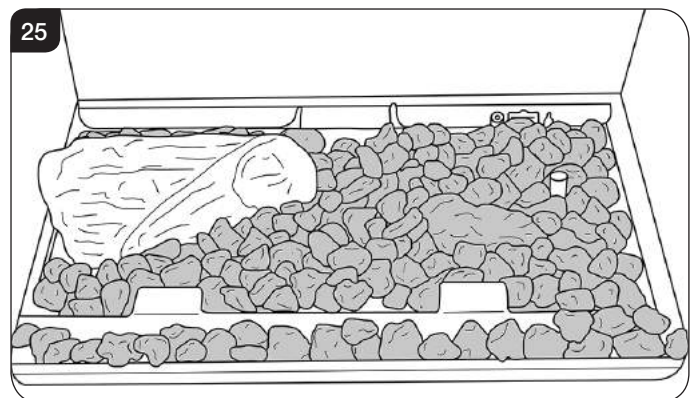
- 8.1 Ensure the burner tray is clean and free from any debris, see Diagram 23.



- 8.2 Place the first log in position on the 2 locating pins, see Diagram 24.

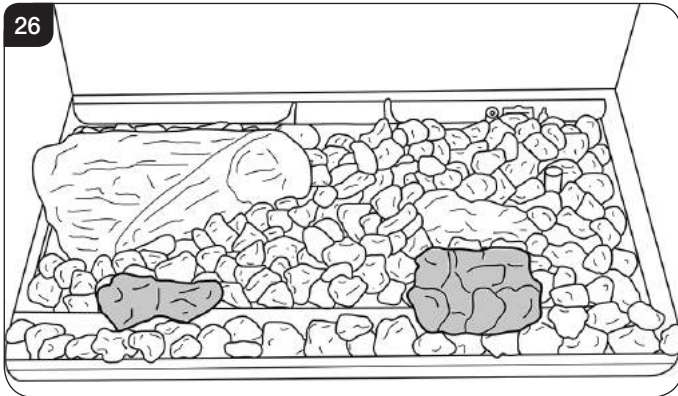


- 8.3 Spread the Lava Rock evenly over the fuel bed and around the first log, see Diagram 25.

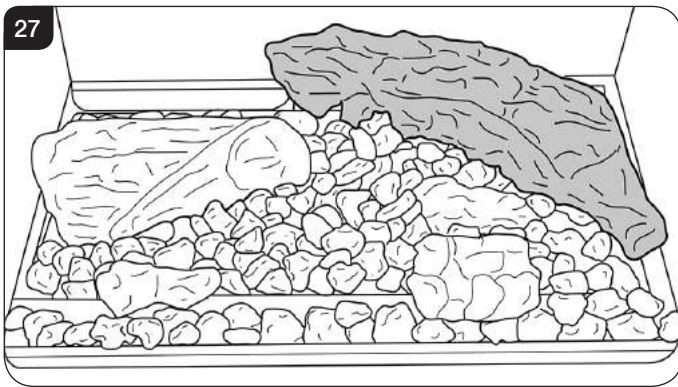


# Installation Instructions

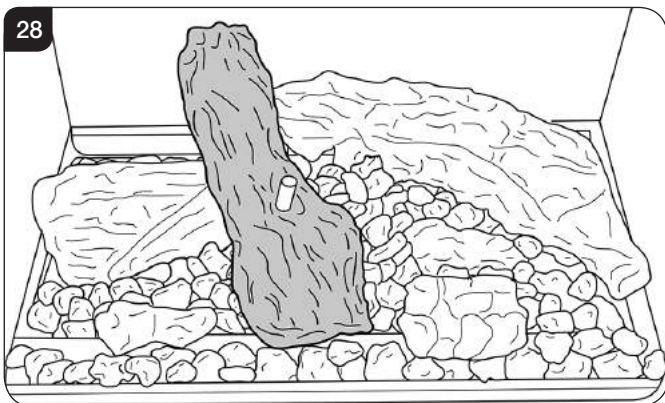
- 8.4 Position the 2 embers on the lip at the front of the fuel bed, see Diagram 26.



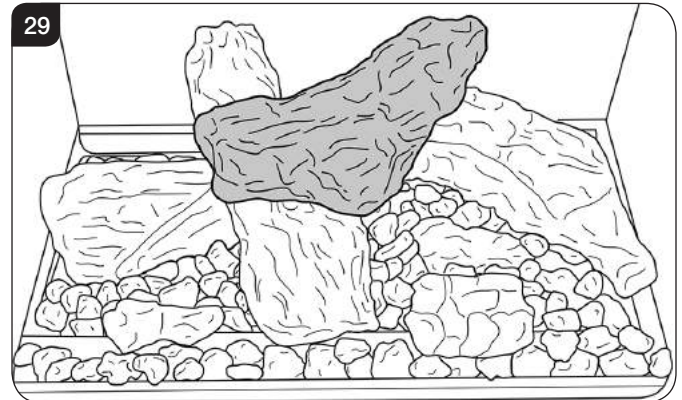
- 8.5 The second log is positioned on the right hand locating pin, and rests against the back liner, see Diagram 27.



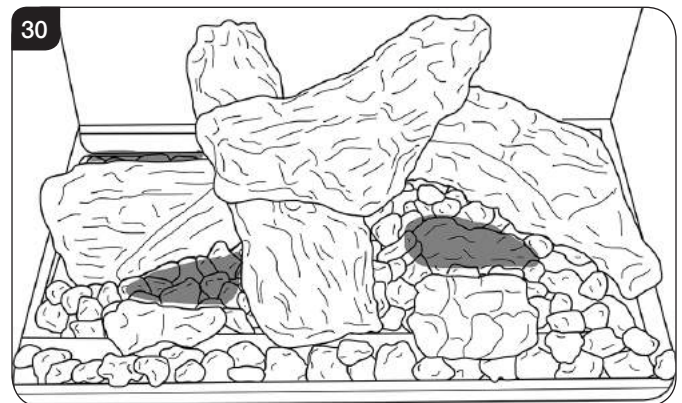
- 8.6 The third log rests on the first and second logs with the locating pin facing up, see Diagram 28.



- 8.7 The fourth log fits onto the locating pin and rests on the second log, see Diagram 29.



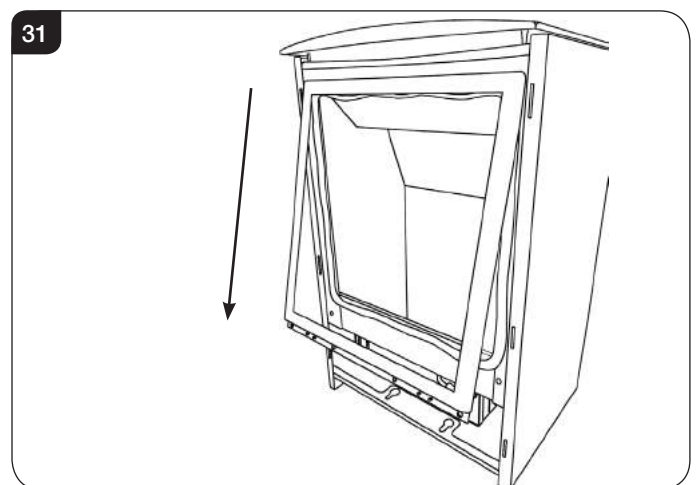
- 8.8 Spread a liberal amount of the Embaglow fibres provided on the sections highlighted, see Diagram 30.



## 9. Completion of Assembly

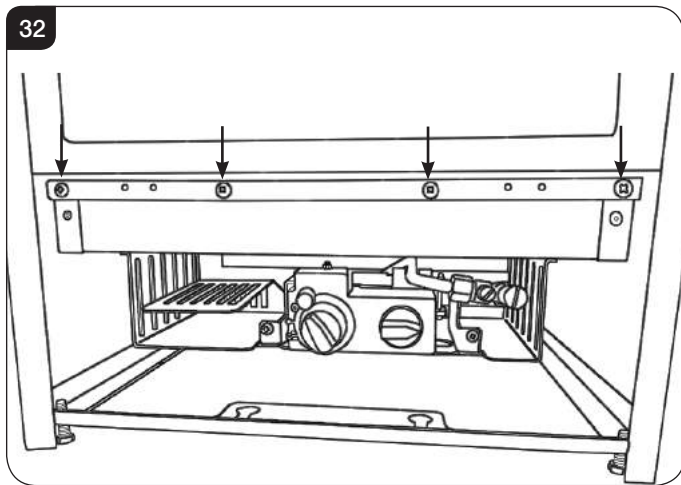
- 9.1 To fit the window frame:

Offer the top of the frame to the opening and lower to engage hooks.



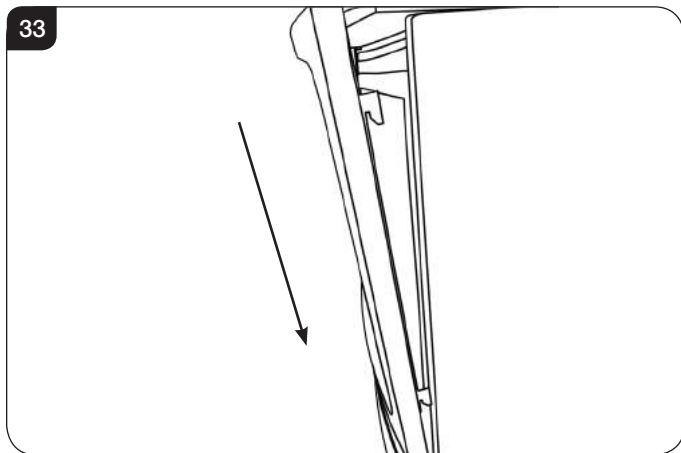
# Installation Instructions

- 9.2 Replace ALL of the glass frame securing screws ensuring that a screw is present in all fixing slots, see Diagram 32.



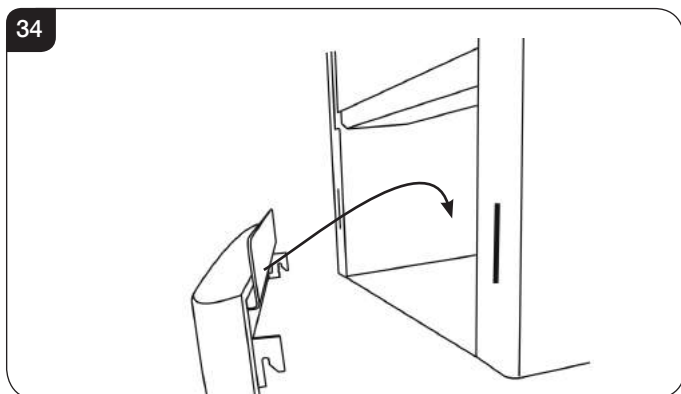
**UNDER NO CIRCUMSTANCES SHOULD THE APPLIANCE BE USED IF ANY OF THE GLASS FRAME RETAINING SCREWS ARE LOOSE OR MISSING.**

- 9.3 Fit the front by inserting the hooks on the back of the frame into the slots on the front of the appliance, see Diagram 33.



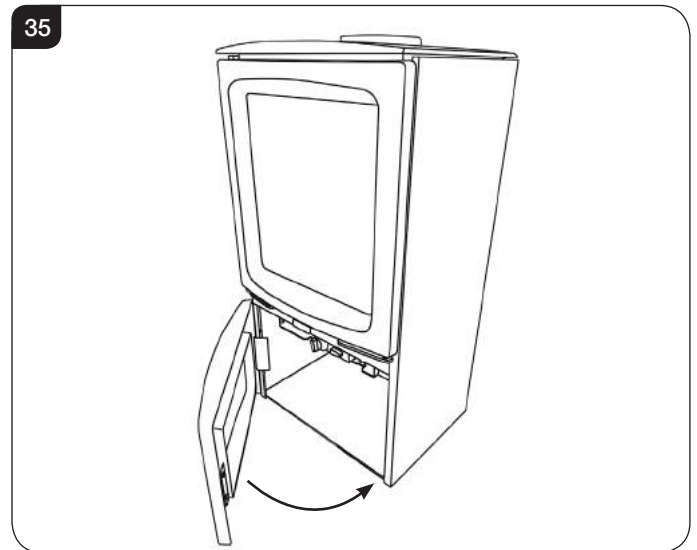
## Vogue Midi

- 9.4 Fit the plinth by inserting the hooks on the back of the frame into the slots on the front of the appliance, see Diagram 34.



## Vogue Midi Midline

- 9.5 Push the lower door closed, see Diagram 35.



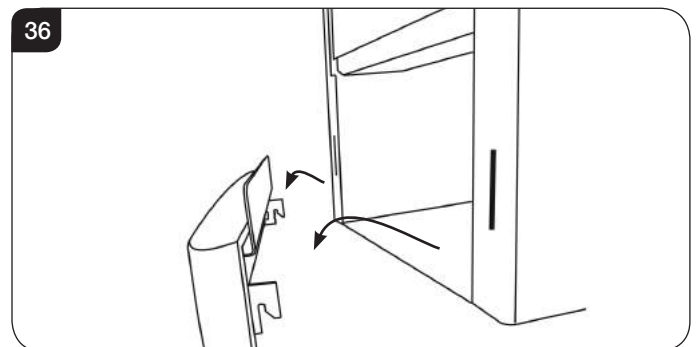
## 10. Operating the Appliance

The method used to access the control valve differs between models.

### Midi Models

The control valve is located behind the plinth.

- 10.1 Remove the plinth to access the controls by lifting the hooks clear of the slots on the front of the appliance, see Diagram 36.

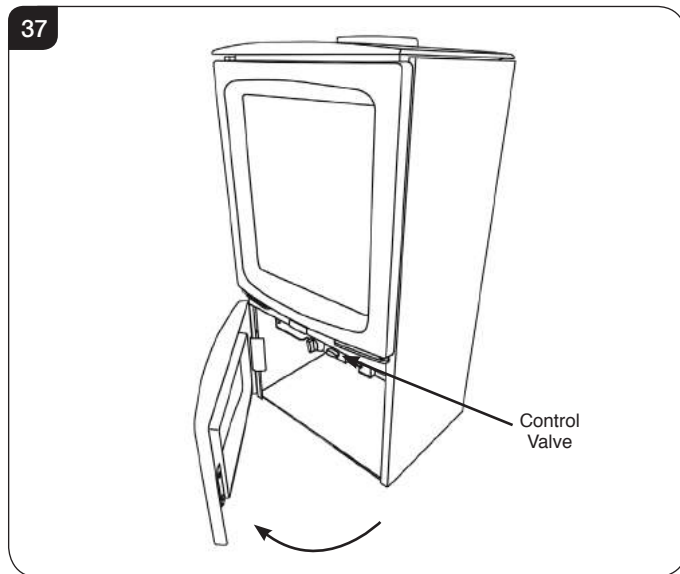


# Installation Instructions

## Midi Midline

The control valve is located behind the plinth.

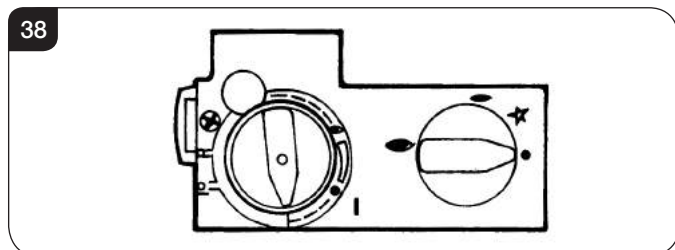
- 10.2 Pull the lower door open from the right hand side to access the controls, see Diagram 37.



## All Models

The valve has two controls, see Diagram 38:

1. The right-hand knob controls the pilot ignition.
2. The left-hand knob controls the main burner.



- 10.3 Refer to separate instructions if your appliance is upgraded to include battery remote control. The instructions below apply whether or not you have the remote upgrade.

## Lighting the Pilot

- 10.4 To start the left-hand and right-hand control knobs must both point to off (●):
- 10.5 Press in the right-hand control knob and rotate anti-clockwise until a click is heard. Continue to press in. The knob points to the pilot (←).

The pilot is lit.

- 10.6 Keep the knob depressed for 10 seconds before releasing. The pilot remains lit.

Repeat the above steps if the pilot does not stay lit.

**NOTE: If the pilot goes out, the Interlock system prevents you lighting again for a short period.**

- 10.7 If, after repeating the above steps the pilot does not light, contact your Retailer or Installer.
- 10.8 Turn the right-hand knob to the left to main burner setting (↻).

## Adjusting the Flame height

- 10.9 You can now adjust the flame height and temperature using the left-hand control knob.
- 10.10 Turn the left-hand knob anti-clockwise to increase the flame height.
- 10.11 Turn clockwise to decrease the height.



**IMPORTANT: YELLOW FLAMES TYPICALLY APPEAR WHEN THE APPLIANCE HAS REACHED NORMAL OPERATING TEMPERATURE. THIS CAN TAKE UP TO 30 MINUTES.**



**WARNING: IF THE APPLIANCE FAILS TO LIGHT OR BECOMES EXTINGUISHED IN USE, WAIT 3 MINUTES BEFORE ATTEMPTING TO RELIGHT.**



# Commissioning

## 1. Commissioning the Appliance

- 1.1 Complete the Commissioning Checklist at the front of this manual covering:
  - Flue checks
  - Gas checks
  - Log/fuel effect layout - flame picture
- 1.2 Ensure all safety checks listed in the Commissioning Section are completed, paying particular attention to the glass panel checks and securing of the glass frame.
- 1.3 Upon completion of the commissioning and testing of the installation and correct operation of the appliance, the installer must instruct the user how to operate the appliance.
- 1.4 Guide the user through the User Instructions paying particular attention to:
  - a) Regular servicing (Section 10 of the User Instructions).
  - b) Ventilation (Section 11 of the User Instructions) - point out the ventilation positions where applicable.
  - c) Hot surfaces (Section 13 of the User Instructions).

# Servicing Instructions

## Servicing/Fault Finding Charts

### 1. Servicing Requirements

**IMPORTANT – The glass panel on this appliance should be checked for any signs of damage on the front face of the glass panel (scratches, scores, cracks or other surface defects). If damage is observed, the glass panel must be replaced and the appliance must not be used until a replacement is installed. Under no circumstances should the appliance be used if any damage is observed. Please isolate the appliance until a replacement glass panel has been obtained and installed. Replacement glass panels can be purchased from Gazco via the retailer from which the appliance was purchased or any other Gazco distributor.**

This appliance must be serviced at least once a year by a competent person.

All tests must be carried out in accordance with the current Gas Safe recommendations.

#### 1.1 Before Testing:

- Conduct a gas soundness test for the property ensuring there are no leaks before servicing.
- Check the operation of the appliance before testing.

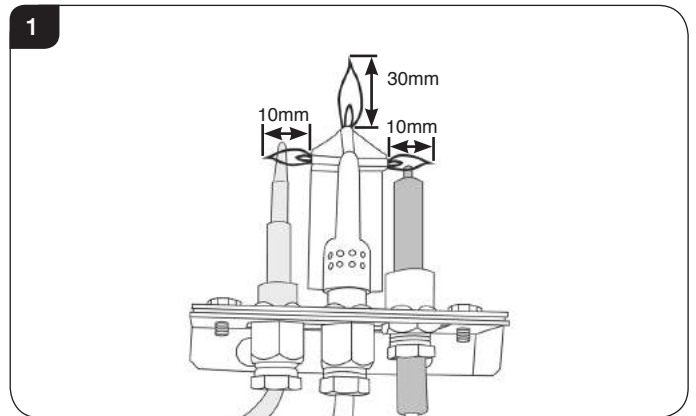
#### 1.2 Special checks:

- Clean the burner using a vacuum cleaner with a soft brush attachment. Ensure all debris is removed from the burner ports.
- Clean away lint or fluff from the pilot.
- Clean away lint or fluff from under the burner.
- Check the spark gap on the pilot is correct.
- Ensure that the glass frame is secured correctly and that all retaining screws are in place.

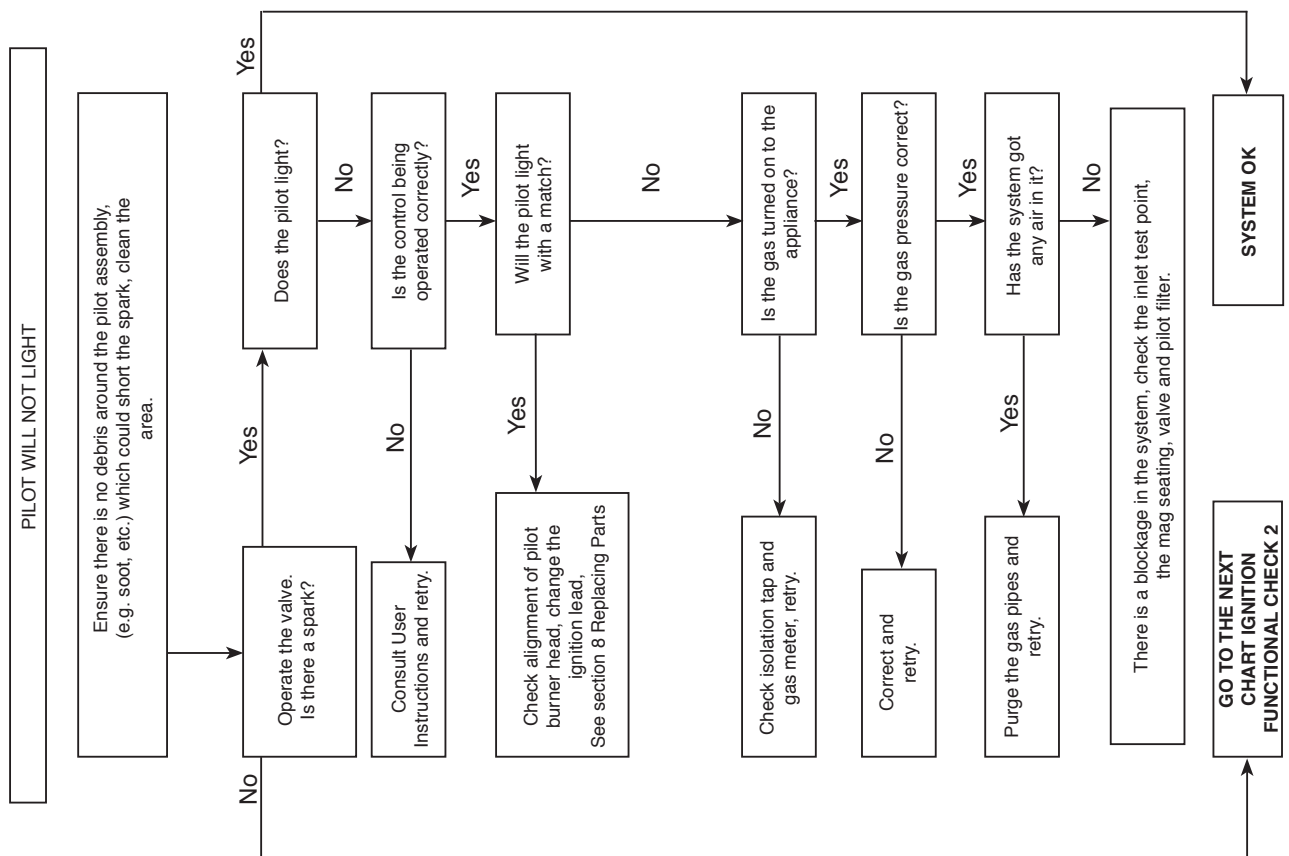
1.3 Correct any faults found during the initial test.

1.4 Re-commission the appliance in accordance with Commissioning Procedures.

1.5 Advise the customer of any remedial work undertaken.



### IGNITION FUNCTIONAL CHECK 1

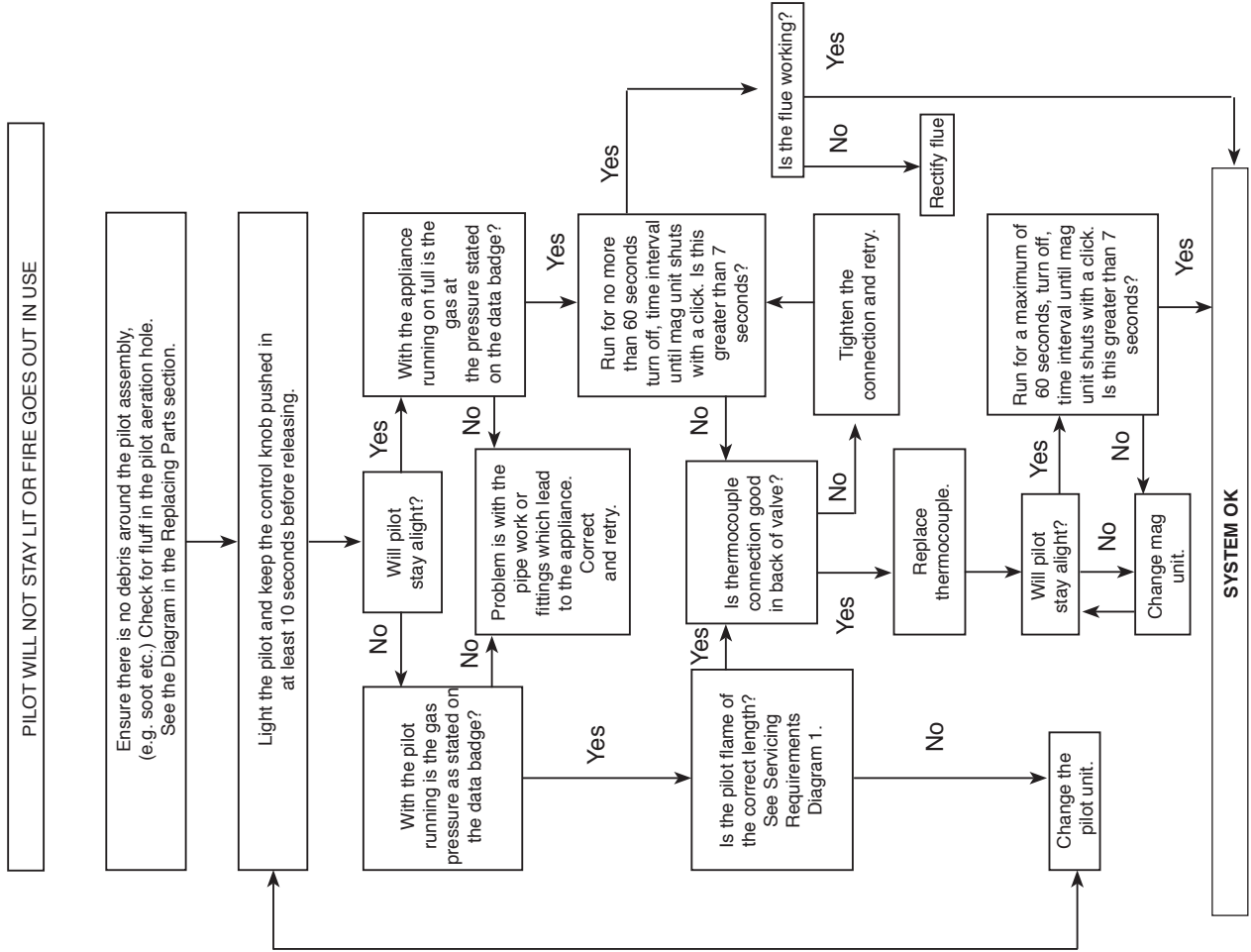




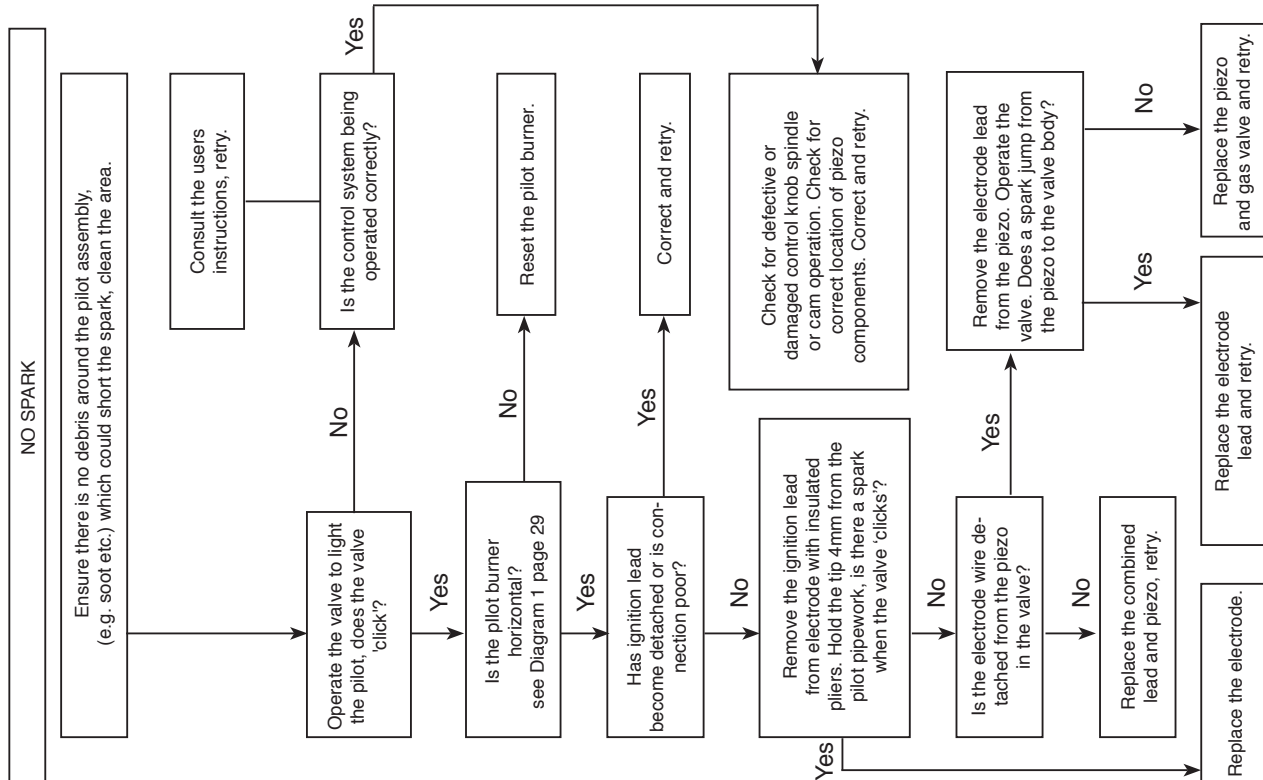
# Servicing Instructions

## Fault Finding Charts

### FLAME FAILURE FUNCTIONAL CHECK 3



### IGNITION FUNCTIONAL CHECK 2



# Servicing Instructions - Replacing Parts

## 1. General

- 1.1 All main components can be replaced without removing the appliance from its installation.

**IT IS ESSENTIAL THAT THE GAS SUPPLY TO THE APPLIANCE IS TURNED OFF AT THE ISOLATION DEVICE BEFORE PROCEEDING FURTHER.**

- 1.2 **Removal of Flue**  
If, for any reason, the flue has to be removed from the appliance, the seal must be replaced in the inner spigot.

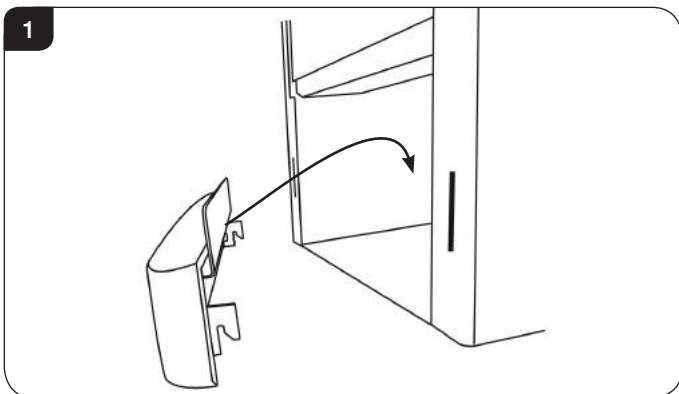
## 2. Decorative Front



**IMPORTANT: THE OUTER PANELLING OF THE VOGUE IS MADE FROM CAST IRON. USE CAUTION WHEN INSTALLING, REMOVING AND STORING AS THE COMPONENTS ARE HEAVY AND SHOULD BE HANDLED CAREFULLY.**

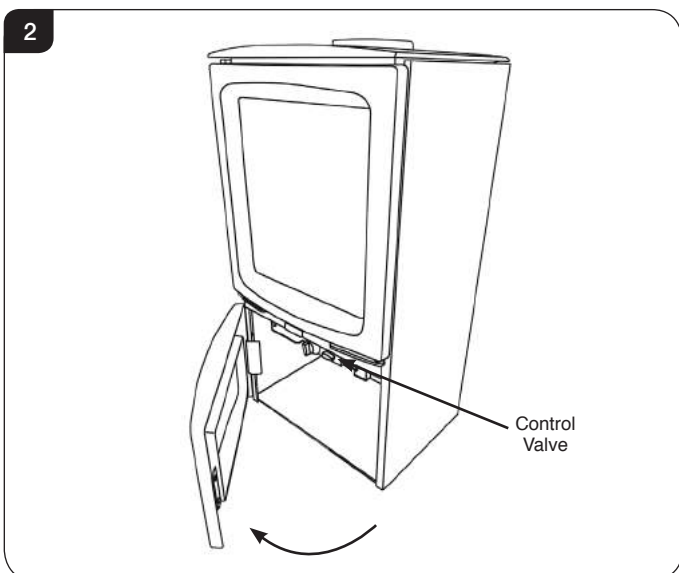
### Vogue Midi

- 2.1 Remove the plinth to access the controls by lifting the hooks clear of the slots on the front of the appliance, see Diagram 1.



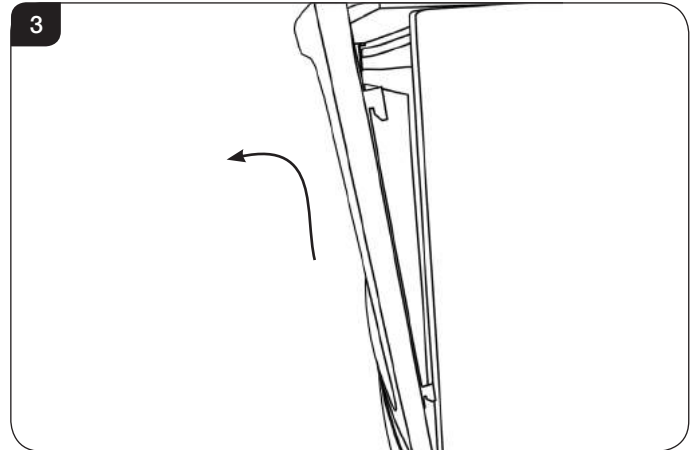
### Vogue Midi Midline

- 2.2 Pull the lower door open from the right hand side to access the controls, see Diagram 2.



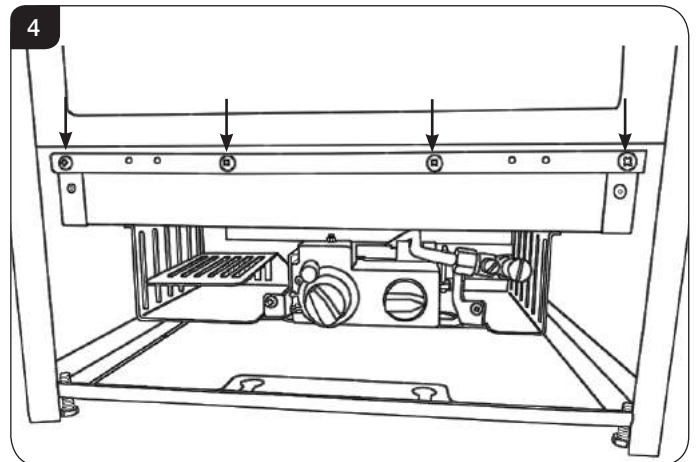
### All Models

- 2.3 Remove the frame to gain complete access to the control valve and the viewing aperture by lifting the hooks clear of the slots on the front of the appliance, see Diagram 3.

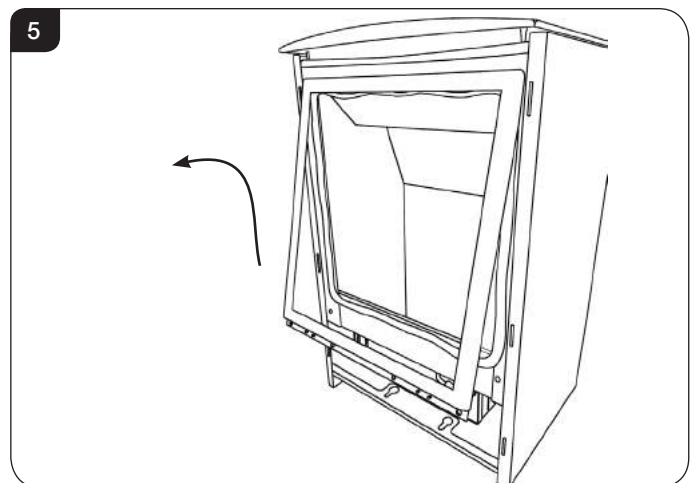


## 3. Window Frame Assembly

- 3.1 Using a screwdriver remove the 4 screws securing the window panel to the appliance, see Diagram 4. Take care to support the glass when removing the screws.



- 3.2 The frame can be removed by lifting the hooks clear of the slots from the bottom of the frame and lifting away from the appliance, see Diagram 5.



# Servicing Instructions - Replacing Parts

- 3.3 Place carefully to one side.
- 3.4 The glass frame must be refitted to the appliance following cleaning or servicing. Hold in position and secure with the screws.
- 3.5 Replace ALL of the securing screws ensuring that a screw is present in all fixing slots.



**UNDER NO CIRCUMSTANCES SHOULD THE APPLIANCE BE USED IF ANY OF THE GLASS FRAME RETAINING SCREWS ARE LOOSE OR MISSING.**

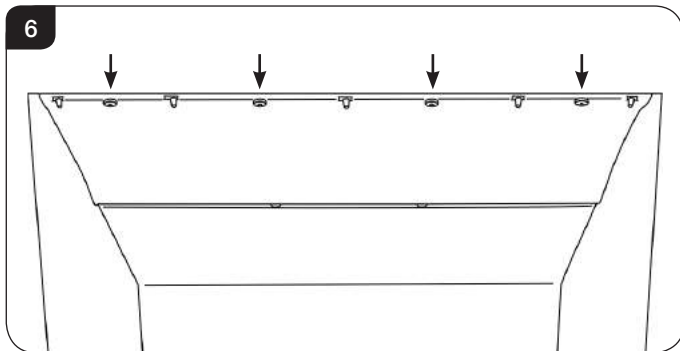
## 4. Baffle & Liners

- 4.1 To access the burner tray and interior workings of the appliance it may be necessary to remove the baffle and the liners.

### BAFFLE

- 4.2 The baffle must be removed before the liners can be taken out of the appliance.

To do this undo the 4 screws securing it to the roof of the firebox, see Diagram 6.



- 4.3 The baffle can now be removed through the front of the appliance.

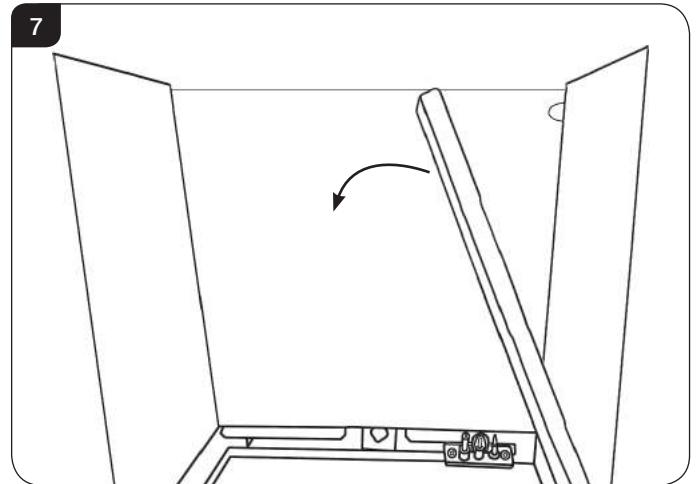
### BLACK GLASS LINERS

Once the baffle has been removed the liners can then be taken out.

- 4.4 To remove the side liners:

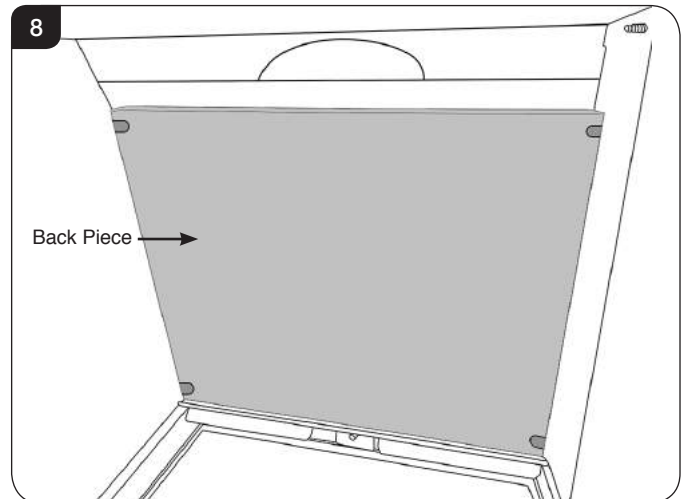
Tilt towards the centre of the firebox.

Lift up and pull out of position, see Diagram 7.



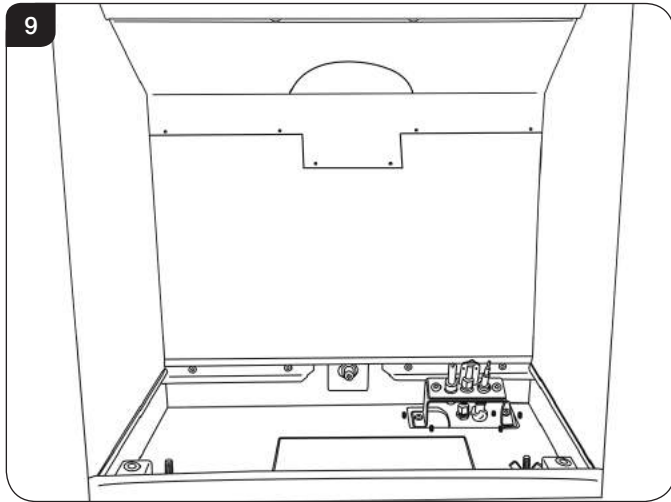
Support the rear panel when handling the last side and remove carefully.

- 4.5 Lean the top of the panel forward, lift and twist slightly to allow removal through the front of the appliance.



# Servicing Instructions - Replacing Parts

4.6 With the liners and baffle removed the firebox is clear for cleaning and maintenance, see Diagram 9.

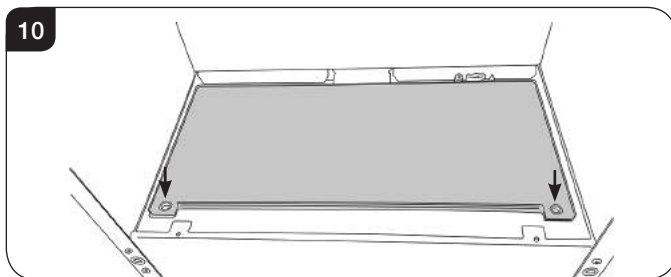


4.7 To replace the liners and baffle reverse these procedures.

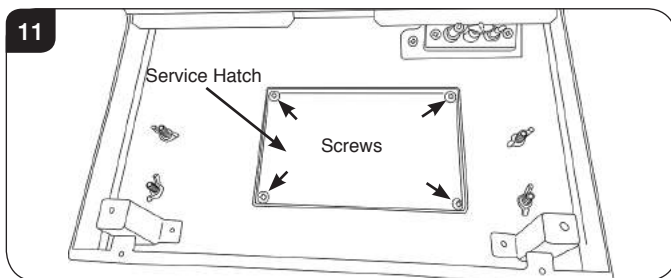
## 5. Main Burner

To replace the main burner:

5.1 Remove the 2 securing screws at the front of the burner, see Diagram 10.

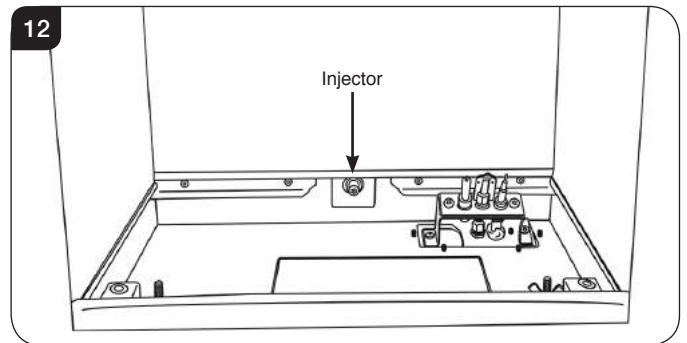


5.2 Lift the burner out of the firebox at an angle clear the brackets, exposing the service hatch, see Diagram 11.



5.3 Refit in reverse order.

Important: Ensure the burner engages with the injector at the base of the firebox, see Diagram 12.



## 6. Control Assembly & Service Hatch

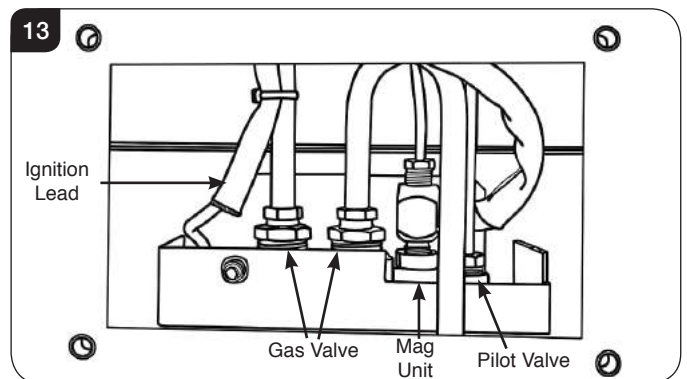
6.1 It is not necessary to remove the complete control assembly to service or replace parts of this appliance. The following sections will detail how to individually remove and replace each element.

6.2 The Vogue has a servicing hatch to allow access to the gas valve and control assembly in the base of the firebox.

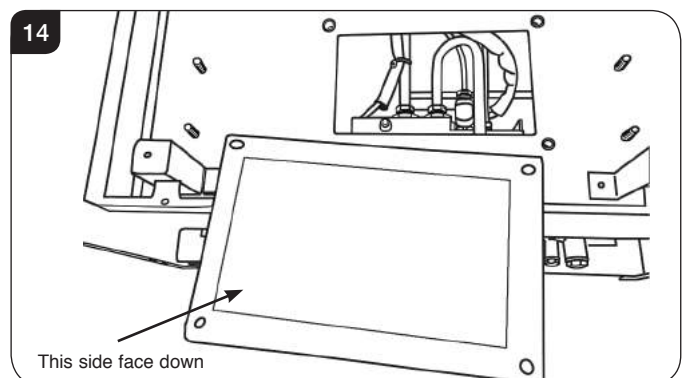
Remove the 4 screws holding the service hatch, see Diagram 11.

Remove the panel.

6.3 This will allow access to the rear of the valve, see Diagram 13.



6.4 Reposition the service hatch and tighten the 4 screws, see Diagram 14.

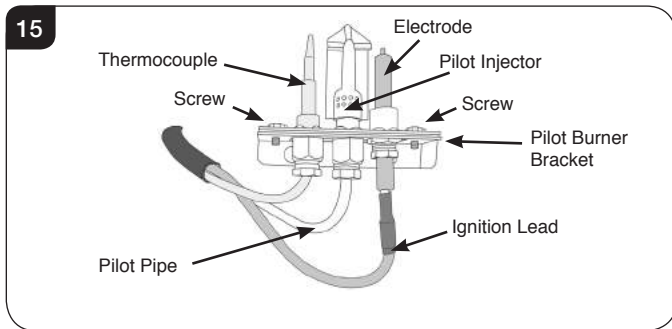


# Servicing Instructions - Replacing Parts

## 7. Pilot Unit

The pilot assembly consists of 4 components which can be individually changed:

- 7a). Pilot burner bracket.
- 7b). Electrode.
- 7c). Pilot injector.
- 7d). Thermocouple.



**NOTE: Ensure the sealant surrounding the Electrode and Thermocouple leads is replaced if disturbed or removed whilst gaining access to these components.**

- 7.1 Turn the gas supply off at the isolation device, remove the door and place to one side, carefully remove the ceramic fuel bed components.

### 7a. Pilot Burner Bracket

To remove the Pilot Burner Bracket:

- 7.2 **First remove the electrode, pilot pipe and thermocouple as described in the following sections.**
- 7.3 Remove the 2 screws securing the bracket. The pilot burner bracket can now be removed.
- 7.4 Replace in reverse order.

### 7b. Electrode

- 7.5 Pull the ignition lead off the electrode and undo the retaining nut, see Diagram 15.
- 7.6 Replace with a new electrode. Do not over-tighten the nut; this could break the component.
- 7.7 Replace the ignition lead by pushing the spade connector onto the terminal (electrode).

### 7c. Pilot Injector

- 7.8 Undo the pilot pipe from the gas valve and from the underside of the pilot burner, see Diagram 15.
- 7.9 Remove the pipe and the injector drops out from the burner.

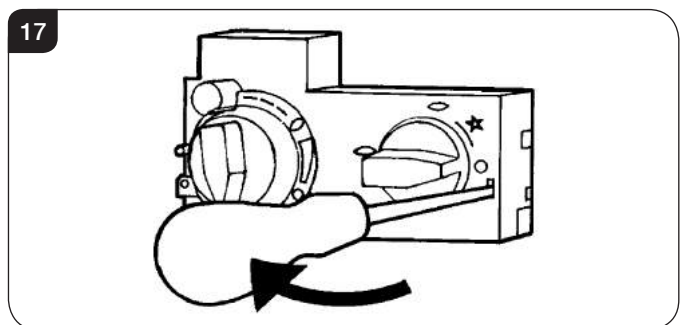
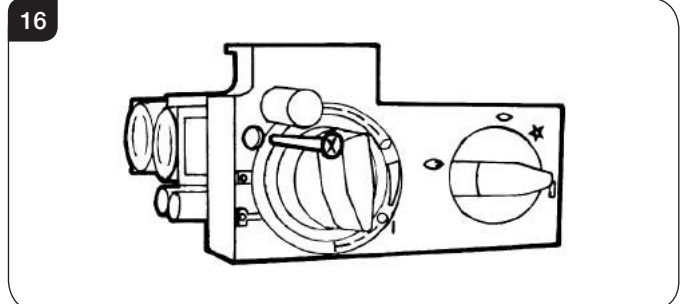
### 7d. Thermocouple

- 7.10 Disconnect the thermocouple from the gas valve.
- 7.11 Undo the thermocouple nut in the back of the pilot bracket half a turn. This releases the thermocouple.
- 7.12 When replacing with a new thermocouple, take care to bend the new component to the same shape as the thermocouple just removed.
- 7.13 To refit the thermocouple into the pilot bracket, ensure it is pushed fully into the hole. There is a stop on the thermocouple to set the height.
- 7.14 Lock the retaining nut just enough to grip the thermocouple.
- 7.15 Connect the thermocouple to the valve **taking care not to over-tighten.**

## 8. Ignition Lead

- 8.1 Follow the Pilot Unit instruction to access the back of the pilot assembly.
- 8.2 Disconnect the ignition lead from the electrode.
- 8.3 Remove the front cover from the control valve by removing the retaining screw, see Diagram 16 and gently levering clear with flat bladed screwdriver, see Diagram 17.

**NOTE: There is a small cylindrical metal spacer inside the cover, this must be kept and replaced on the fixing screw on re-assembly.**



- 8.4 Disconnect the other end of the ignition lead from the valve body noting the route of the ignition lead.
- 8.5 Replace with a new ignition lead following the same route as the old one.
- Replace the valve cover and the pilot assembly.
- 8.6 Check operation of the new ignition lead.



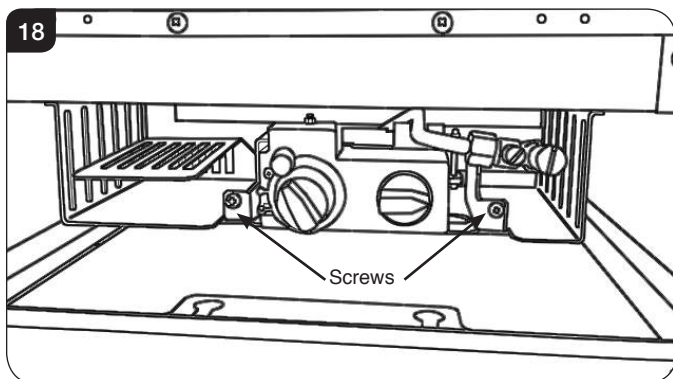
# Servicing Instructions - Replacing Parts

## 9. Piezo

- 9.1 The piezo assembly used on this appliance is not serviceable and is not likely to fail.
- 9.2 If a new piezo is required it will be necessary to change the valve, see Section 10.

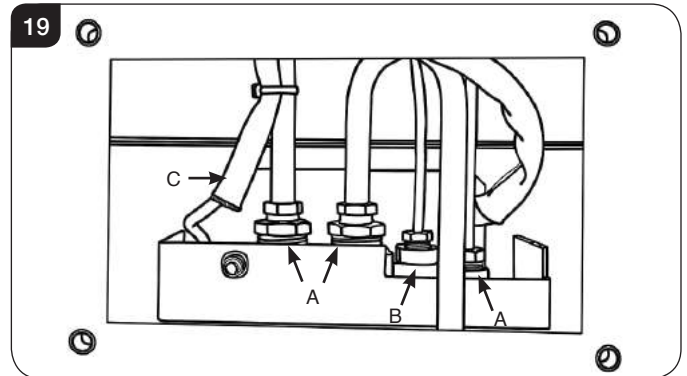
## 10. Gas Valve

- 10.1 To remove the valve turn off the gas supply at the isolation device.
- 10.2 Remove the main burner, see Section 5.
- 10.3 From inside the firebox remove the locknut from the injector, see Section 12.
- 10.4 Remove the pilot feed pipe from the pilot unit, see Section 7.
- 10.5 It is possible to remove the entire control assembly cradle by removing the four wing nuts inside the firebox.
  - First undo the nuts on the injector pipe, thermocouple, and pilot unit.
  - Now undo the 4 wing nuts. The cradle can now be withdrawn.
- 10.6 Alternatively it is possible to just remove the gas valve. Remove the 2 screws at the front of the valve bracket, see Diagram 18.



- 10.7 Slide the bracket slightly to the right and pull forward to access the valve connections.
- 10.8 Disconnect the 2 x 8mm and 1 x 4mm gas pipe fittings at the back of the gas valve, see Diagram 19 (A).

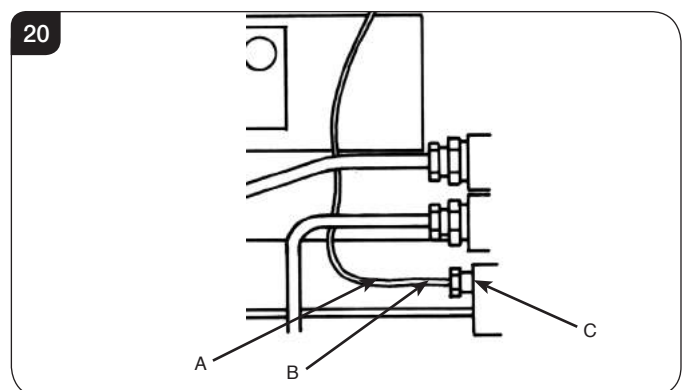
- 10.9 Disconnect the thermocouple, see Diagram 19 (B).



- 10.10 Disconnect the ignition lead from the gas valve, see Diagram 19 (C).
- 10.11 Remove the cover, see Section 8.3.
- 10.12 Undo the 2 screws securing the gas valve to the appliance and remove the valve.
- 10.13 Replace in reverse order.
- 10.14 Check all joints for gas leaks and check operation of the thermocouple and ignition lead.

## 11. Magnetic Safety Valve

- 11.1 Turn the gas supply off at the isolation device.
- 11.2 Undo the thermocouple connection from the back of the gas valve, see Diagram 20 (A).
- 11.3 Pull the sensor leads clear and remove the interrupter block, see Diagram 20 (B).
- 11.4 Undo the magnetic valve-retaining nut from the back of the control valve, see Diagram 20 (C).
- 11.5 Gently tap out the magnetic valve and replace with a new unit.
- 11.6 Replace the retaining nut and tighten.



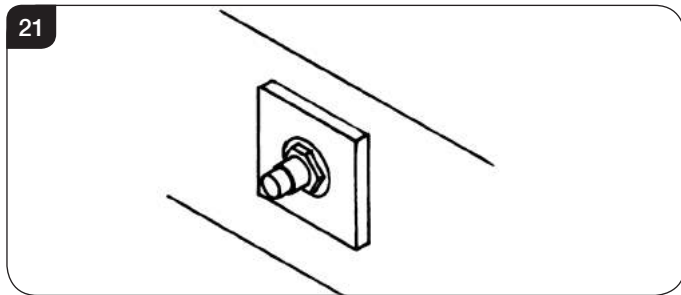
- 11.7 Reassemble the interrupter block and leads and secure the thermocouple connection in the rear of the gas control. (Do not overtighten).
- 11.8 Turn the gas supply on and check the entire pipework and valve joints for any leaks.



# Servicing Instructions - Replacing Parts

## 12. Main Injector

- 12.1 To remove the main injector turn off the gas supply at the isolation device.
- 12.2 Remove the main burner, see Section 5.
- 12.3 Undo the compression nuts from the feed pipe and the gas valve under the appliance.
- 12.4 Working from inside the firebox remove the lock nut from the injector, see Diagram 21.

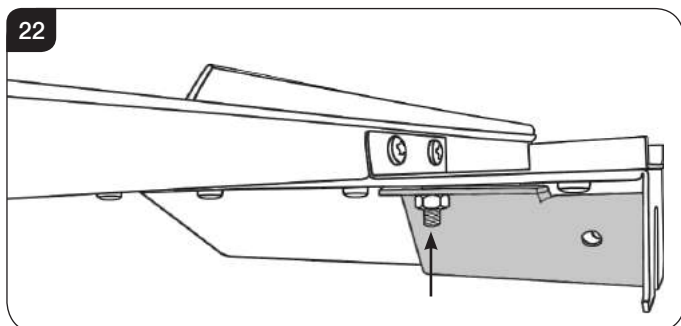


- 12.5 Extract the injector with the feed pipe from beneath the appliance.
- 12.6 Holding the injector with a spanner:
- 12.7 Undo the feed pipe. **Note the orientation of the Injector.**
- 12.8 Re-assemble in reverse order.
- 12.9 Turn on the gas supply and check for leaks.

## 13. Primary Aeration Plate

**NOTE: Not all models have aeration plates. Please refer to the Technical Specification.**

- 13.1 To replace the primary aeration plate turn off the gas supply at the isolation device.
- 13.2 Remove the burner, see Installation Instructions, Replacing Parts, Section 5.
- 13.3 Remove the fixing screw and slide the plate off the venturi.
- 13.4 Replace with the correct size plate and secure with the screw. Ensure that the lower edge of the plate is located over the venturi flange, see Diagram 22.



- 13.5 Reassemble in reverse order.  
**NOTE: Even if no aeration plate is required, the nut must be replaced.**

## 14. Changing Between Gas Types

A kit of parts is available for this - Contact your Gazco retailer for further information.

It will be necessary to replace the following components:

- Top Baffle
- Burner
- Injector
- Pilot Injector
- Gas Valve

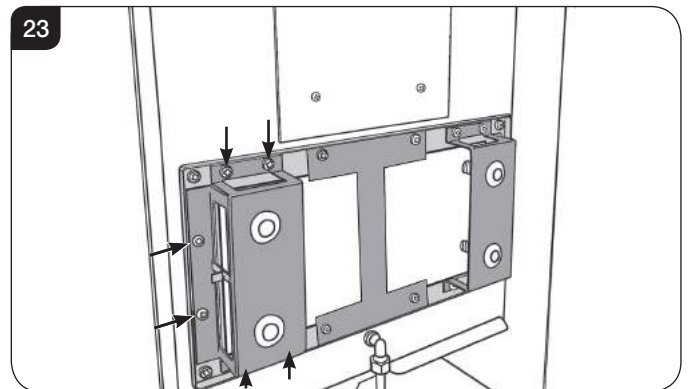
Always quote the Model number and Serial number when ordering any spare parts.

## 15. Control Upgrade

See Installation Instructions, Section 2.

## 16. Explosion Relief Gasket

- 16.1 It is possible to change the gasket on the explosion relief panel.
- 16.2 Remove the 6 screws on each spring panel.



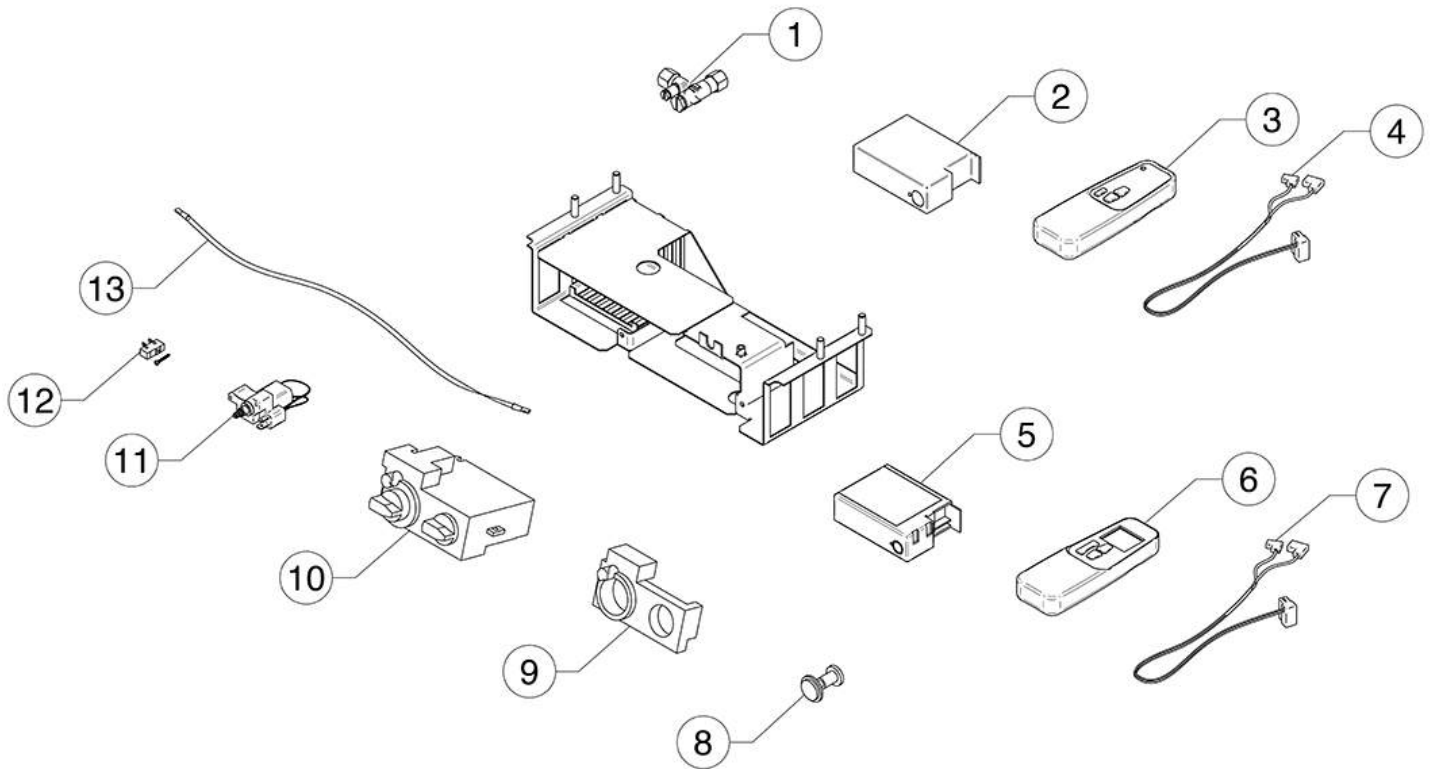
- 16.3 Remove the gasket and replace.

Ensure when replacing that the springs are located into the recess.

- 16.4 Refit in reverse order.

# Servicing Instructions - Replacing Parts

## 17. Spares List - Control Assembly

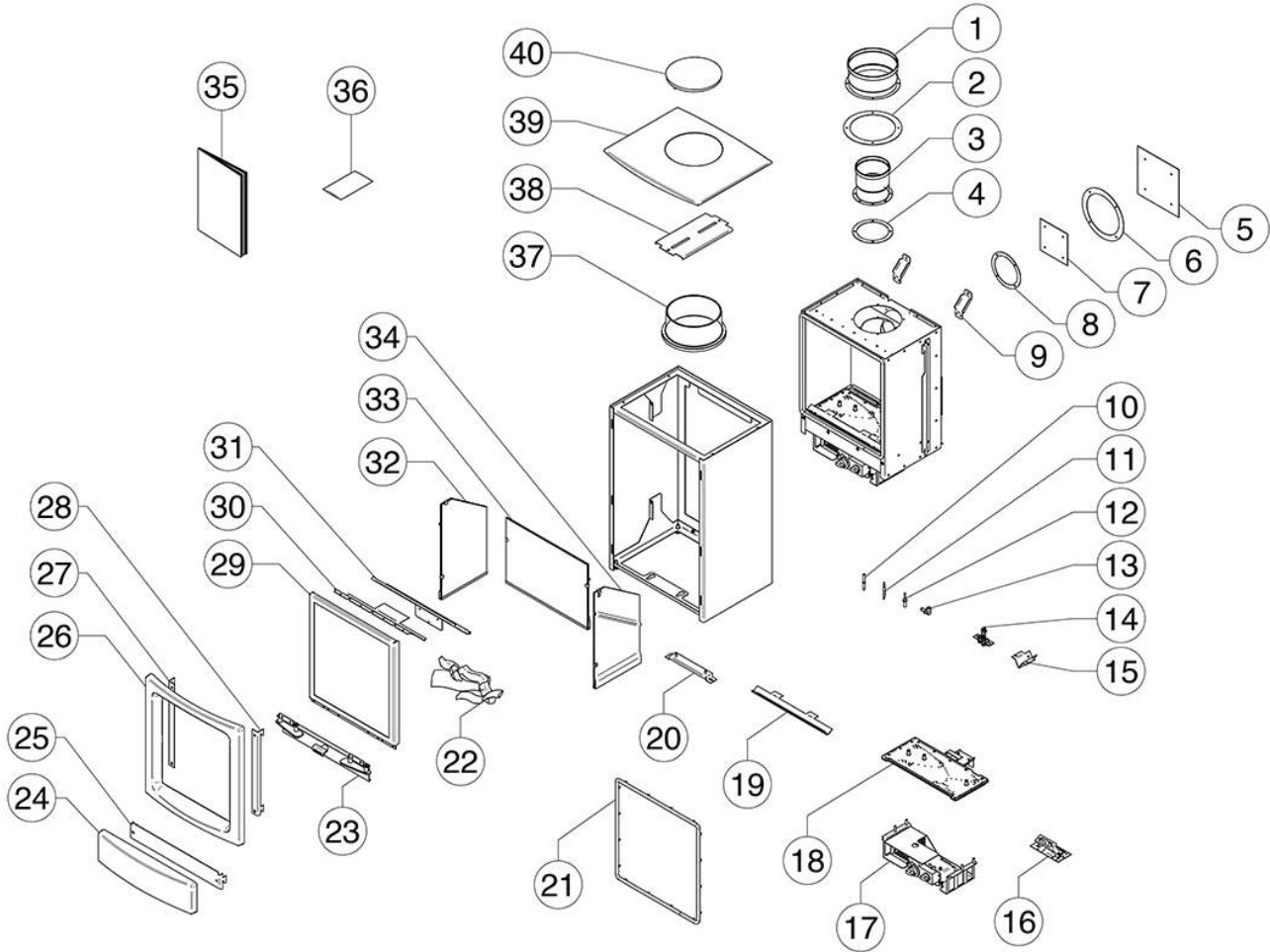


No.	Component	Part Code	Quantity
1	Inlet Isolation Valve	GC0095	1
2	Standard Receiver	EL0235	1
3	Standard Handset	EL0239	1
4	Standard Receiver Cable	EL0237	1
5	Thermostatic Receiver	EL0236	1
6	Thermostatic Handset	EL0240	1
7	Thermostatic Receiver Cable	EL0238	1
8	Mag Unit	GC0166	1
9	Control Valve Cover	GC0087	1
10	Control Valve	GC0088K	1
11	Geared Motor	EL0234	1
12	Micro Switch and Screw	EL0241	1
13	Ignition Lead	GC0090	1

Due to continual technical improvements please check online at [www.gazcospares.com](http://www.gazcospares.com) or with your Gazco retailer for the most up to date parts lists.

# Servicing Instructions - Replacing Parts

## 17. Spares List - Vogue Midi



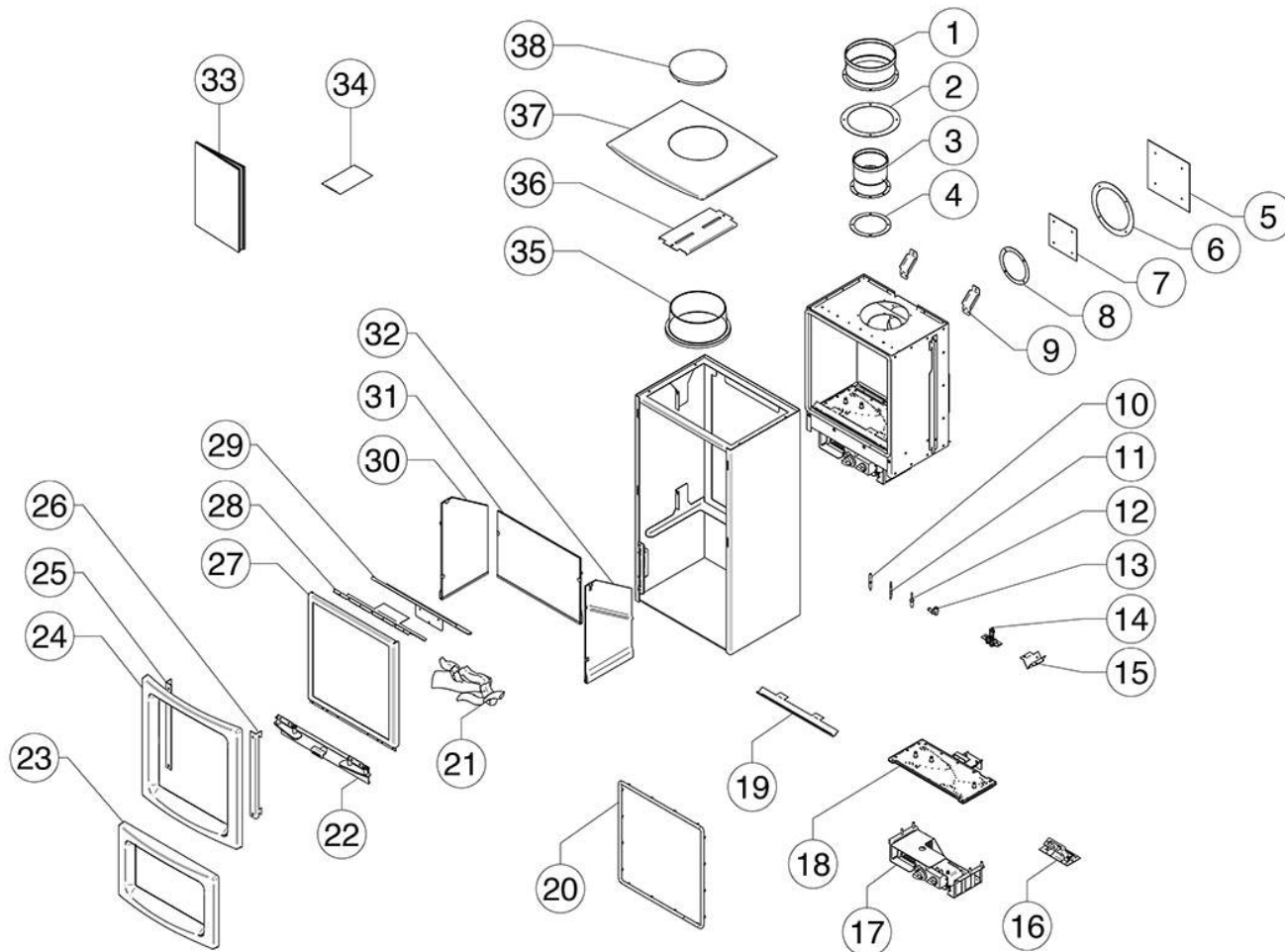
No.	Component	Part Code		Quantity
		Natural Gas	LPG	
1	Outer Spigot	ME0232		1
2	Outer Spigot Gasket	CE0211		1
3	Inner Spigot	MEC0275		1
4	Inner Spigot Gasket	CE0210		1
5	Outer Box Blanking Plate	GZ1321		1
6	Outer Spigot Gasket	CE0211		1
7	Inner Box Blanking Plate	GZ1320		1
8	Inner Spigot Gasket	CE0210		1
9	Restraint Bracket	GZ13397		2
10	Electrode	PI0075		1
11	Thermocouple	PI0074		1
12	Pilot Bulk Head	FA0723		1
13	Injector	IN0064	IN0062	1
14	Pilot	PI0069	PI0070	1
15	Aeration Plate	GZ11218	GZ10412	1
16	Pilot Bracket Assembly	GZ13443		1
17	Control Assembly	GZ13777		1
18	Burner	GZ13225	GZ13743	1
19	Front Stone Channel	GZ13477		1
20	Floor Fixing Bracket	GZ9744		1

No.	Component	Part Code		Quantity
		Natural Gas	LPG	
21	Door Seal	FA0725		1
22	Log Set	CE1755		1
23	Logo & Handle Assembly	GZ13240		1
24	Cast Control Cover	CA0829		1
25	Cast Control Cover Hook Bracket	GZ13390		1
26	Cast Door	CA0828		1
27	LH Cast Door Hook	GZ13389		1
28	RH Cast Door Hook	GZ13388		1
29	Glass Frame Assembly	GZ13410		1
30	Top Baffle	GZ13209	GZ13720	1
31	Rear Baffle	GZ13210		1
32	LH Glass Panel Assembly	GZ13417		1
33	Rear Glass Panel Assembly	GZ13418		1
34	RH Glass Panel Assembly	GZ13416		1
35	Instruction Manual	PR2246		1
36	Embaglow	GZ8471		1
37	Cast Flue Collar	CA0727		1
38	Blanking Plate Strap	GZ13398		1
39	Cast Top	CA0831		1
40	Cast Blanking Plate	CA0835		1

Due to continual technical improvements please check online at [www.gazcospares.com](http://www.gazcospares.com) or with your Gazco retailer for the most up to date parts lists.

# Servicing Instructions - Replacing Parts

## 17. Spares List - Vogue Midi Midline



No.	Component	Part Code		Quantity
		Natural Gas	LPG	
1	Outer Spigot	ME0232		1
2	Outer Spigot Gasket	CE0211		1
3	Inner Spigot	MEC0275		1
4	Inner Spigot Gasket	CE0210		1
5	Outer Box Blanking Plate	GZ1321		1
6	Outer Spigot Gasket	CE0211		1
7	Inner Box Blanking Plate	GZ1320		1
8	Inner Spigot Gasket	CE0210		1
9	Restraint Bracket	GZ13397		2
10	Electrode	PI0075		1
11	Thermocouple	PI0074		1
12	Pilot Bulk Head	FA0723		1
13	Injector	IN0064	IN0062	1
14	Pilot	PI0069	PI0070	1
15	Aeration Plate	GZ11218	GZ10412	1
16	Pilot Bracket Assembly	GZ13443		1
17	Control Assembly	GZ13777		1
18	Burner	GZ13225	GZ13743	1
19	Front Stone Channel	GZ13477		1

No.	Component	Part Code		Quantity
		Natural Gas	LPG	
20	Door Seal	FA0725		1
21	Log Set	CE1755		1
22	Logo & Handle Assembly	GZ13240		1
23	Cast Control Cover Door	CA0830		1
24	Cast Door	CA0828		1
25	LH Cast Door Hook	GZ13389		1
26	RH Cast Door Hook	GZ13388		1
27	Glass Frame Assembly	GZ13410		1
28	Top Baffle	GZ13209	GZ13720	1
29	Rear Baffle	GZ13210		1
30	LH Glass Panel Assembly	GZ13417		1
31	Rear Glass Panel Assembly	GZ13418		1
32	RH Glass Panel Assembly	GZ13416		1
33	Instruction Manual	PR2246		1
34	Embaglow	GZ8471		1
35	Cast Flue Collar	CA0727		1
36	Blanking Plate Strap	GZ13398		1
37	Cast Top	CA0831		1
38	Cast Blanking Plate	CA0835		1

Due to continual technical improvements please check online at [www.gazcospares.com](http://www.gazcospares.com) or with your Gazco retailer for the most up to date parts lists.

# Service Records

**1ST SERVICE**

Date of Service.....  
Next Service Due .....  
Signed .....  
Retailer's Stamp/GasSafe Registration Number

**3RD SERVICE**

Date of Service.....  
Next Service Due .....  
Signed .....  
Retailer's Stamp/GasSafe Registration Number

**5TH SERVICE**

Date of Service.....  
Next Service Due .....  
Signed .....  
Retailer's Stamp/GasSafe Registration Number

**7TH SERVICE**

Date of Service.....  
Next Service Due .....  
Signed .....  
Retailer's Stamp/GasSafe Registration Number

**9TH SERVICE**

Date of Service.....  
Next Service Due .....  
Signed .....  
Retailer's Stamp/GasSafe Registration Number

**2ND SERVICE**

Date of Service.....  
Next Service Due .....  
Signed .....  
Retailer's Stamp/GasSafe Registration Number

**4TH SERVICE**

Date of Service.....  
Next Service Due .....  
Signed .....  
Retailer's Stamp/GasSafe Registration Number

**6TH SERVICE**

Date of Service.....  
Next Service Due .....  
Signed .....  
Retailer's Stamp/GasSafe Registration Number

**8TH SERVICE**

Date of Service.....  
Next Due .....  
Signed .....  
Retailer's Stamp/Gas Safe Registration Number

**10TH SERVICE**

Date of Service.....  
Next Service Due .....  
Signed .....  
Retailer's Stamp/GasSafe Registration Number









**Gazco Limited, Osprey Road, Sowton Industrial Estate, Exeter, Devon, England EX2 7JG**  
**Technical Customer Services: (01392) 261950 Fax: (01392) 261951**  
**E-mail: [technicalservices@gazco.com](mailto:technicalservices@gazco.com)**

A member of the Stovax Group  
E & O E