

Radiance Electric Range

Wall Mounted LED Fire



Instructions for Use, Installation & Servicing For use in GB & IE (Great Britain & Republic of Ireland).



IMPORTANT

**THE HEATER OUTLET GRILLE BECOMES VERY HOT WHILST IN OPERATION.
DO NOT COVER THE OUTLET GRILLE OR ANY PART OF THE APPLIANCE.**

For use with 230v 50Hz electricity supply only.

Please read these instructions carefully before installation and keep them in a safe place.

They will be needed when maintenance or servicing is required.

THIS APPLIANCE MUST BE EARTHED

Contents

Covering the following models:

Radiance 80W	Radiance 100W	Radiance 150W	Radiance 190W
219-102	219-115	219-121	219-132

With the following frame options

	Radiance 80W	Radiance 100W	Radiance 150W	Radiance 190W
Glass Front - Black	919-344	919-332	919-363	919-389
Glass Front - White	919-372	919-350	919-381	919-396
Flat Steel	919-440	919-453	919-471	919-488

User Instructions3

1. Important Information & Health and Safety 3
2. Operating Instructions 3
3. Removing Decorative Fronts 6
4. Maintenance 7

Installation Instructions8

- Technical Specifications 8
- Appliance Dimensions 8
- Frame Dimensions 9

Installation10

1. General 10
2. Fitting the Appliance 10
3. Wall Mounted Installation 10
4. Semi Recessed Installation 12
5. Connecting the Power 14
6. Fitting the Decorative Fuel Effect 15
7. Fitting the Decorative Front 16

Servicing17

1. Fault Finding 17
2. How to Wire a Plug 17
3. Servicing Requirements 18
4. Removing the Decorative Front 18
5. Wall Mounted Installation 18
6. Semi Recessed Installation 19
7. Removing the Heater Unit 19
8. Removing the Screen 20
9. Removing the Fuel Bed 21
10. Replacing the Remote Sensor 21
11. Replacing the LED boards 21
12. Removing the Effects Spindle 22
13. Accessing the Electronics 22
14. Replacing the Manual Control Board 24
15. Replacing the PCB 24
16. Replacing the Effects Motor 24
17. Transformer 25
18. Decorative Front LEDs 25

Wiring Diagram26

Spare Parts List27



To receive your Extended Warranty your Gazco appliance must have been purchased from our Expert Retailer Network and registered within one month of purchase or installation. Please note that all warranties are effective from the date of purchase. Any Gazco product purchased outside of our Extended Retailer Network, or not registered within the stated time will carry a standard 12 month warranty.

Full terms and conditions are detailed in the Warranty Statement on the Gazco website www.gazco.com. In the event of any conflict of information the wording on the website shall prevail.

Important Note: Should any problems be experienced with your product, claims must first be submitted to the Expert Retailer where the appliance was purchased from who will offer immediate assistance or contact Gazco on your behalf.




Registration No WEE/DH1656ZW
In accordance with European Directive 2002/96/EC, waste electrical and electronic equipment (WEEE) must not be disposed of with household waste.

At the end of its useful life please take this product to an appropriate recycling centre or collection point. You can find your nearest recycling centre by using the bank locator at www.recycle-more.co.uk for UK customers, www.weeeireland.ie for customers in the Republic of Ireland, or by contacting your local authority.

User Instructions

1. Important Information and Health and Safety

- 1.1 **Read all of the instructions carefully before using the appliance.**
- 1.2 **Remove all packaging and dispose of at an appropriate recycling facility.**
- 1.3 Do not locate this appliance immediately above a fixed socket outlet. Ensure that a minimum 350mm clearance is maintained from the edge of the heater unit.
- 1.4 Do not use this appliance in the immediate surroundings of a bath, shower, swimming pool or any other area where the appliance could come into contact with water or humidity, e.g. a bathroom.
- 1.5  **WARNING! DO NOT COVER**
Do not allow the appliance to be covered or let the air inlet/outlet become obstructed as the appliance may overheat. Please note the warning symbol on the appliance (see above).
- 1.6 **For indoor use only.** This appliance is not suitable for use outside the house.
- 1.7 Keep the power cord away from hot surfaces and hot conditions. Do not route the power lead in front of the appliance.
- 1.8 This appliance must be firmly fixed to or recessed into, a flat internal wall. Ensure that furniture, curtains etc. are positioned no closer than 1m to the appliance.
- 1.9 When the appliance has been installed the position of the plug must be accessible.
- 1.10 Where the electricity supply cable has to pass through a masonry wall, stone surround etc. ensure suitable rubber bushes are fitted at possible wear points.
- 1.11 If the electricity supply cable is damaged do not use the appliance until it has been replaced. For safety reasons the replacement has to be carried out by a Gazco service agent or a similarly competent electrician.
- 1.12 Do not use this appliance with any kind of timer, programmer, thermal control or other device that will switch the appliance on or off automatically.
- 1.13 Do not operate the appliance if it is damaged.
- 1.14 Repairs of electrical appliances must only be performed by an electrical engineer. Should the appliance fail to operate, or in case of any damage, please contact the retailer from whom the appliance was purchased.
- 1.15 **Never leave the heater unattended while it is in use. Note: If the Radiance is to be left for a long period of time ensure that the mains power switch is in the OFF position or the appliance is isolated from the mains supply.**

- 1.16 **This appliance is not intended to be used by persons under the age of 12, persons with reduced physical, sensory or mental capabilities or persons with lack of experience and knowledge in the safe operation of the appliance.**
The appliance may be operated by persons above the age of 12 provided they have been instructed in the safe use of the appliance and that they understand the hazards involved. Persons above the age of 12 may also operate the appliance under the supervision of a responsible adult.
- 1.17 Parts of this appliance become hot whilst in operation and under no circumstances should persons under the age of 12 be left alone with the product when it is in operation unless a suitable fireguard is used to protect them against the possibility of coming into direct contact with the appliance.

2. Operating Instructions



WARNING! Do not operate the appliance if it is damaged or has malfunctioned. If you suspect the appliance is damaged or has malfunctioned call a qualified service engineer to inspect the appliance, and replace any part of the electrical system if necessary, before reuse.

GENERAL

- 2.1 The appliance can be operated by the infrared handset or the manual controls.

PREPARATION BEFORE USE

Batteries:

- 2.2 Ensure that the handset battery is new and is inserted correctly.
- 2.3 Dispose of old batteries at an appropriate recycling facility.

When using the handset:

- 2.4 Ensure the handset is pointed at the infrared sensor located behind the flame effect screen at the back of the inside of the appliance.

LOCATION OF POWER SWITCH

- 2.5 The mains power switch is located on the control panel located on the right-hand side of the appliance (see Diagram 1 over page).

Wall Mounted

Access from the right hand side of the decorative front.

Semi Recessed Installation

Remove the decorative front. The switch can now be accessed through the cutout in the recess bracket.

The appliance must be isolated from the mains supply.

- 2.6 Switch ON (—) before operating either the remote or manual controls.
- 2.7 A beep is heard to indicate the fire is ready for use.

User Instructions

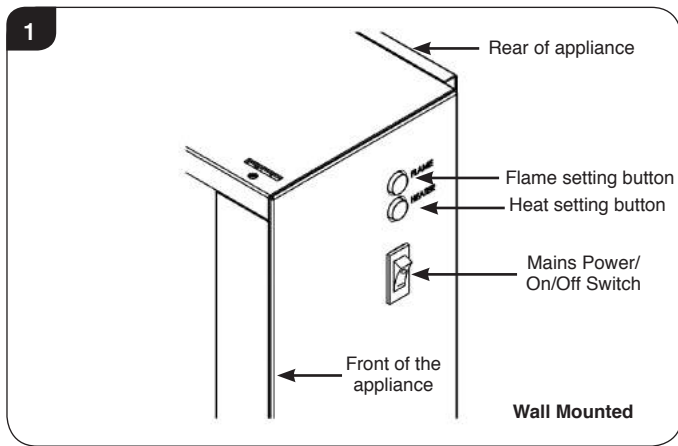
Remote & Manual Operation

2.8 The following functions can be controlled using the manual controls or remote handset:

- Heat settings 1 and 2
- Brightness of the fuel and flame effect

Wall Mounted Appliances

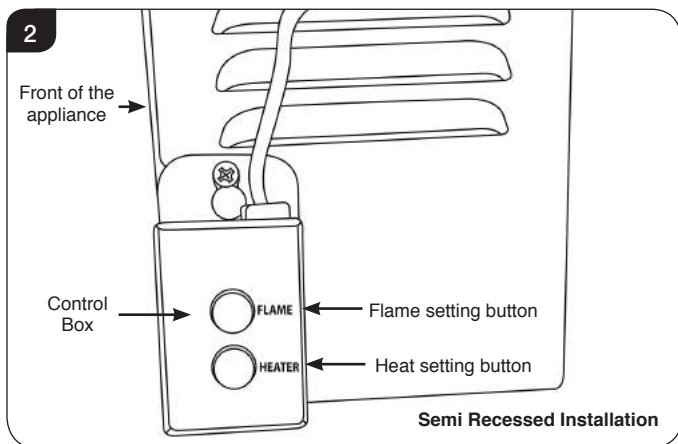
The manual controls are on the right hand side of the outer casing behind the decorative front.



Semi Recessed Appliances

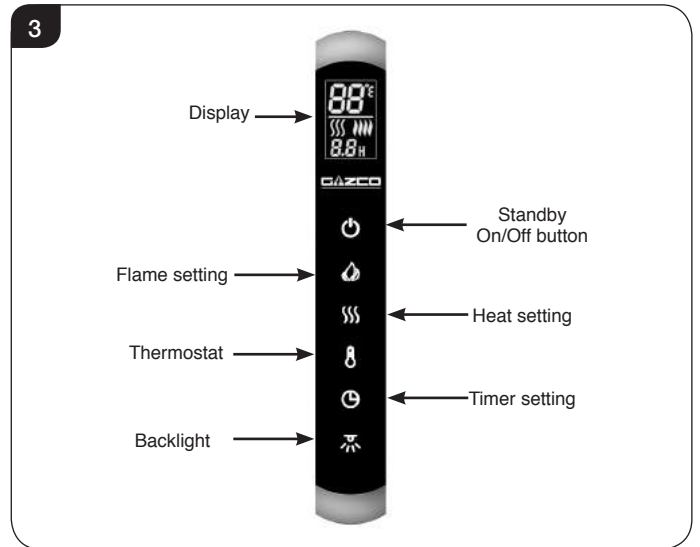
Access to the manual controls on the side of the appliance is restricted when the appliance has been installed in a semi recessed installation.

This appliance has an additional control box fitted to the right hand side of the heater unit, see Diagram 2.



All Models

2.9 The thermostat can only be operated via the remote controls.



2.10 The effects can be turned off using the remote control or manual controls, returning the appliance to Standby.

Standby On/Off

2.11 The appliance is in Standby mode when the power is switched on via the manual control panel. You must have this power supply ON (—) before using the manual or remote controls.

Turning On the Appliance

A beep is heard each time a new function is selected.

Flame Effects:

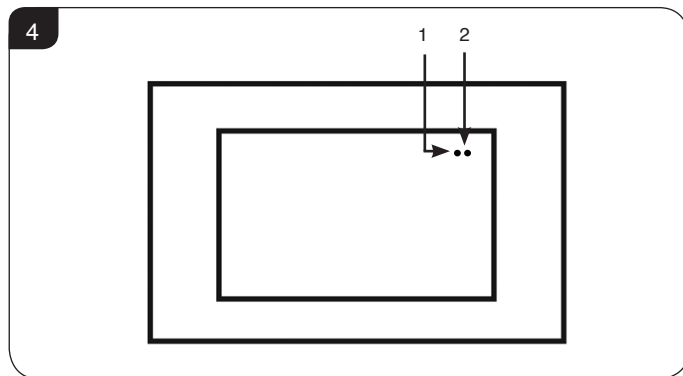
2.12 The flame effect button on both the manual and remote controls has 5 settings:

Manual Control	Remote Control	Function
Press Flame Effect button once	Press Standby/ On/Off Button 	Maximum amber flame effect
Press Flame Effect button twice	Press Flame Effect button once 	Minimum amber flame effect
Press Flame Effect button three times	Press Flame Effect button twice 	Maximum blue flame effect
Press Flame Effect button four times	Press Flame Effect button three times 	Minimum blue flame effect
Press Flame Effect button five times	Press Standby/ On/Off Button	Standby

User Instructions


Turning On the Heat:

- 2.13 **It is NOT possible to run the heater without the flame effects switched on.**
- 2.14 Press the heater button **once** to turn the fan heater ON. One red indicator light will be displayed on the indicator (1) - See Diagram 4. The appliance will blow cold air for approximately 8 seconds before the red indicator light goes off and the heater comes on. On this setting the heater will operate at half its maximum temperature (1kW).
)) Will be displayed on the remote control.
- 2.15 Press the heater button **twice** to turn the fan heater to its maximum temperature. Two red indicator lights will be displayed on the indicator (1) + (2) behind the flame effect screen - See Diagram 4. After approximately 8 seconds the red indicator light goes off and the heater will operate at its maximum temperature (2kW).
))) Will be displayed on the remote control.



Note: Each time a new setting is selected 1 or 2 red indicator lights illuminate to show that the heater is running.

- 2.16 **Pressing the heater button again will turn the heater OFF** and cold air will continue to blow for 8 seconds.
- 2.17 Press the On/Off button on the remote control to turn off **ALL** settings and return to Standby. Cold air will continue to blow for 8 seconds.



TO PROLONG THE LIFE OF THE APPLIANCE ALWAYS RETURN THE APPLIANCE TO STANDBY USING THE REMOTE CONTROL, BEFORE SWITCHING OFF THE MAINS POWER SWITCH ON THE MANUAL CONTROL PANEL.

- 2.18 **The appliance should be turned off via the mains power switch on the manual control when it is not in use.**

Thermostatic Control

- 2.19 The appliance is fitted with a thermostat. This can only be operated by the remote control when the mains power switch is in the ON position. The thermostat has 14 settings, including OFF, and can control the room temperature between 16°C and 28°C (default 23°C). The digital display shows the temperature setting. Press the thermostat button to increase the temperature by 1°C. If the OFF setting is selected no temperature is displayed on the remote control and the temperature can be manually controlled using the heat setting button.

Press the Thermostat button for 3 seconds to switch between °C and °F.

Note: If the room temperature is higher than the thermostat setting the heater will not come on.

Timer

- 2.20 A timer is fitted to allow the appliance to be returned to Standby after a set period of time. This can only be operated via the remote control when the mains power switch on the manual control is switched on.

Press the timer button to cycle through the settings from Off and 0.5 hours to 9 hours.

LED Backlighting

- 2.21 If the decorative front has an LED feature:

Press the backlight button on the remote control to cycle through the 12 colours or a colour-cycle mode and OFF settings.

Thermal Safety Cutout

The appliance is fitted with a thermal safety cutout, which operates if it overheats. If this happens:

- 2.22 Unplug the appliance and allow it to cool for 5 - 10 minutes.
- 2.23 Check the air inlets/outlets for any obstruction and clear if necessary (see *Maintenance, Section 4.7*).
- 2.24 Plug in appliance and switch it on. The cutout will re-set and the appliance should function correctly. If this is not the case:
- 2.25 Unplug once more and have the appliance checked by a competent electrician.

User Instructions

3. Removing Decorative Fronts

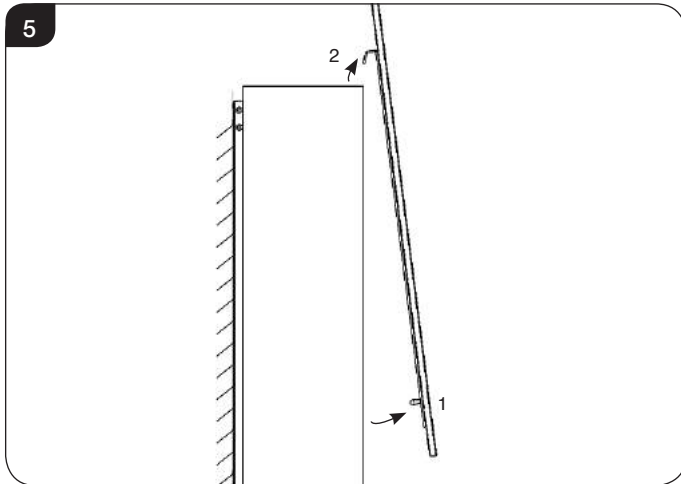


IMPORTANT: TAKE CARE WHEN HANDLING. THIS DECORATIVE FRONT IS HEAVY. LIFT WITH CAUTION. HANDLING WILL REQUIRE 2 PEOPLE.



BEFORE REMOVING A DECORATIVE FRONT WITH LED EFFECT ISOLATE THE APPLIANCE FROM THE MAINS SUPPLY.

- 3.1 If the decorative front has an LED feature:
Withdraw the LED lighting plug from behind the glass and disconnect the cables.
- 3.2 Undo the 2 screws in the tabs at the top of the appliance.
- 3.3 Carefully pull the bottom edge of the decorative front forward to disengage the lower pins from the bottom slots, see Diagram 5 (1).
- 3.4 Lift the decorative front free from the slots in the top of the appliance, see Diagram 5 (2).



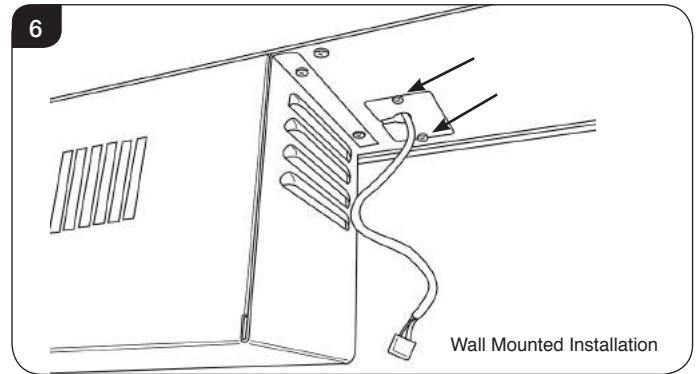
- 3.5 Replace in reverse.

LED Backlighting

If the backlight cable is not required it can be stored behind the access panel at the bottom of the appliance.

With the decorative frame removed:

- 3.6 Remove the 2 screws securing the access panel to the underside of the firebox, see Diagram 6.

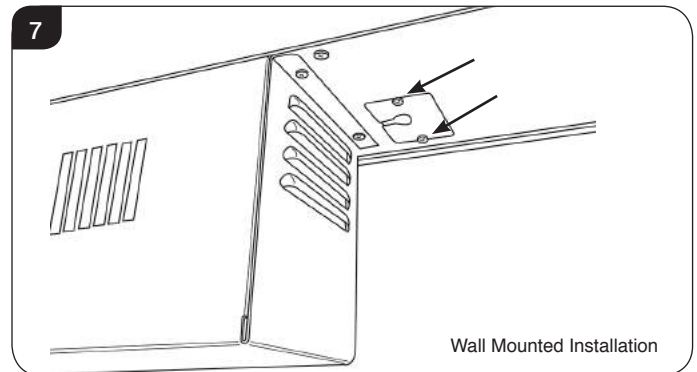


- 3.7 Place the cable into the appliance.



PLEASE ENSURE NO WIRES ARE TRAPPED BEFORE REPLACING THE ACCESS PANEL.

- 3.8 Replace the access panel and secure with the 2 screws, see Diagram 7.



User Instructions

4. Maintenance

- 4.1 **ALWAYS UNPLUG FROM MAINS SUPPLY BEFORE CLEANING OR UNDERTAKING ANY MAINTENANCE.**

GENERAL CLEANING

- 4.2 Only clean the outer casing when it is cold. Do not use abrasive cleaners.

CLEANING FRONTS

- 4.3 Wipe the front with a damp cloth and buff with a lint free duster.

Caution: Do not use abrasive cleaners on the glass panel. Do not spray liquids directly onto any surface of the unit.

CLEANING THE FUEL EFFECT

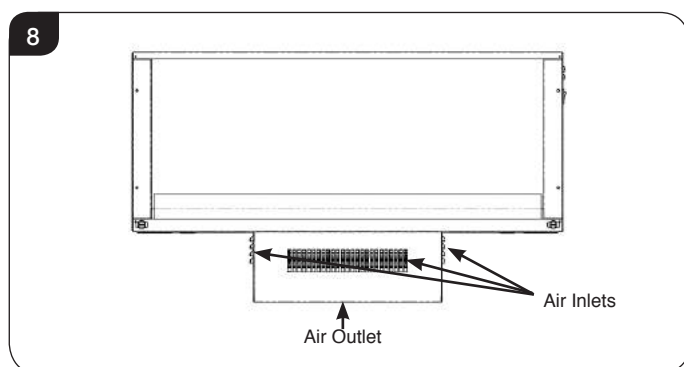
- 4.4 Ensure the appliance is unplugged.
4.5 Remove the decorative front, see Section 3.
4.6 Remove and wash the fuel effect to remove any dust particles. Alternatively clean with a lint free duster.
Ensure that the effect is dry before replacing.

When replacing the fuel effect ensure that it is evenly spread across the fuel bed.

Stone Effect only: Randomly space the clear effect throughout the fuel bed.

CLEANING AIR INLETS

- 4.7 Ensure the appliance is unplugged.
4.8 Clean the air inlet and outlet grilles regularly with a soft cloth or the nozzle of a vacuum cleaner.



Dust build-up can inhibit efficient performance of the fan and lead to the safety cut-out operating.

- 4.9 Keep the area around the appliance clean and free of fluff, dust or pet hair.
4.10 In particular, build-up of dust etc. can occur around the heater area. Take particular care to keep this area free from such particles on a regular basis to prevent build-up.

BATTERY REPLACEMENT

- 4.11 When the remote batteries are low they must be changed immediately. Install correct replacements and dispose of the old batteries carefully.

Note: If the Radiance is to be left for a long period of time ensure that the mains power switch is in the OFF position or the appliance is isolated from the mains supply.

Installation Instructions

Technical Specification

These instructions cover the following models:

Radiance 80W	Radiance 100W	Radiance 150W	Radiance 190W
219-102	219-115	219-121	219-132

These appliances have 3 modes of operation:

- Flame effect only - with 4 effect levels
- Flame effect + 1kW heating
- Flame effect + 2kW heating

A 230v 13amp 50Hz supply is required
 Maximum power consumption:
 Radiance 80W: 2000 watts
 Radiance 100W: 2000 watts
 Radiance 150W: 2000 watts
 Radiance 190W: 2000 watts

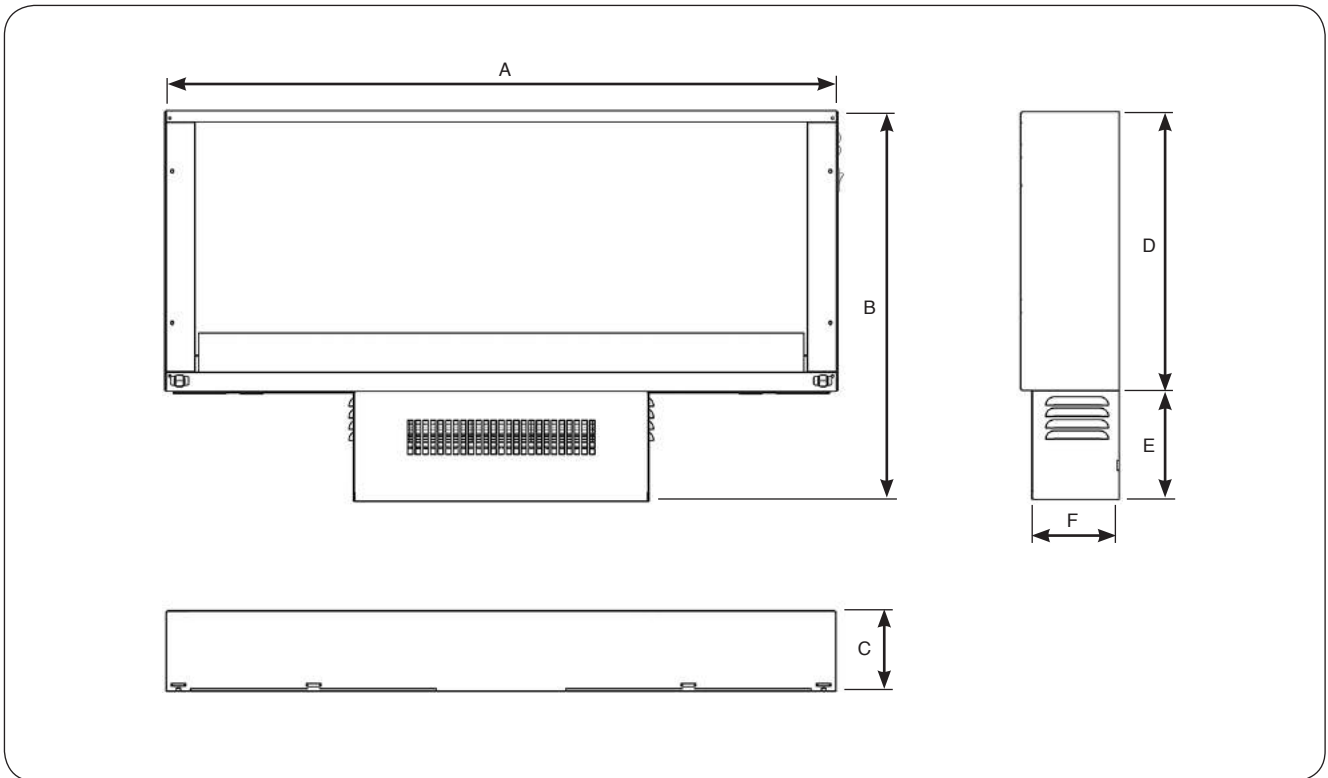
THIS APPLIANCE MUST BE EARTHED

A 1.8 metre lead with plug containing a 13 amp fuse is supplied. Only use a 13 amp fuse with this appliance.

2 x Remote control handset battery (AAA).

PACKING CHECKLIST

Appliance Description	Fixing Kit containing:
Radiance 80W	1 x Instruction Manual
Radiance 100W	1 x Power Cable
Radiance 150W	1 x Handset
Radiance 190W	2 x Retention screws
	2 x AAA Batteries
	1 x Wall Mounting Bracket
	1 x White Stones
	1 x Clear Resin Stones
	R80W/ R100W
	6 x Screws
	6 x Rawl plugs
	R150W
	8 x Screws
	8 x Rawl plugs
	R190W
	10 x Screws
	10 x Rawl Plugs



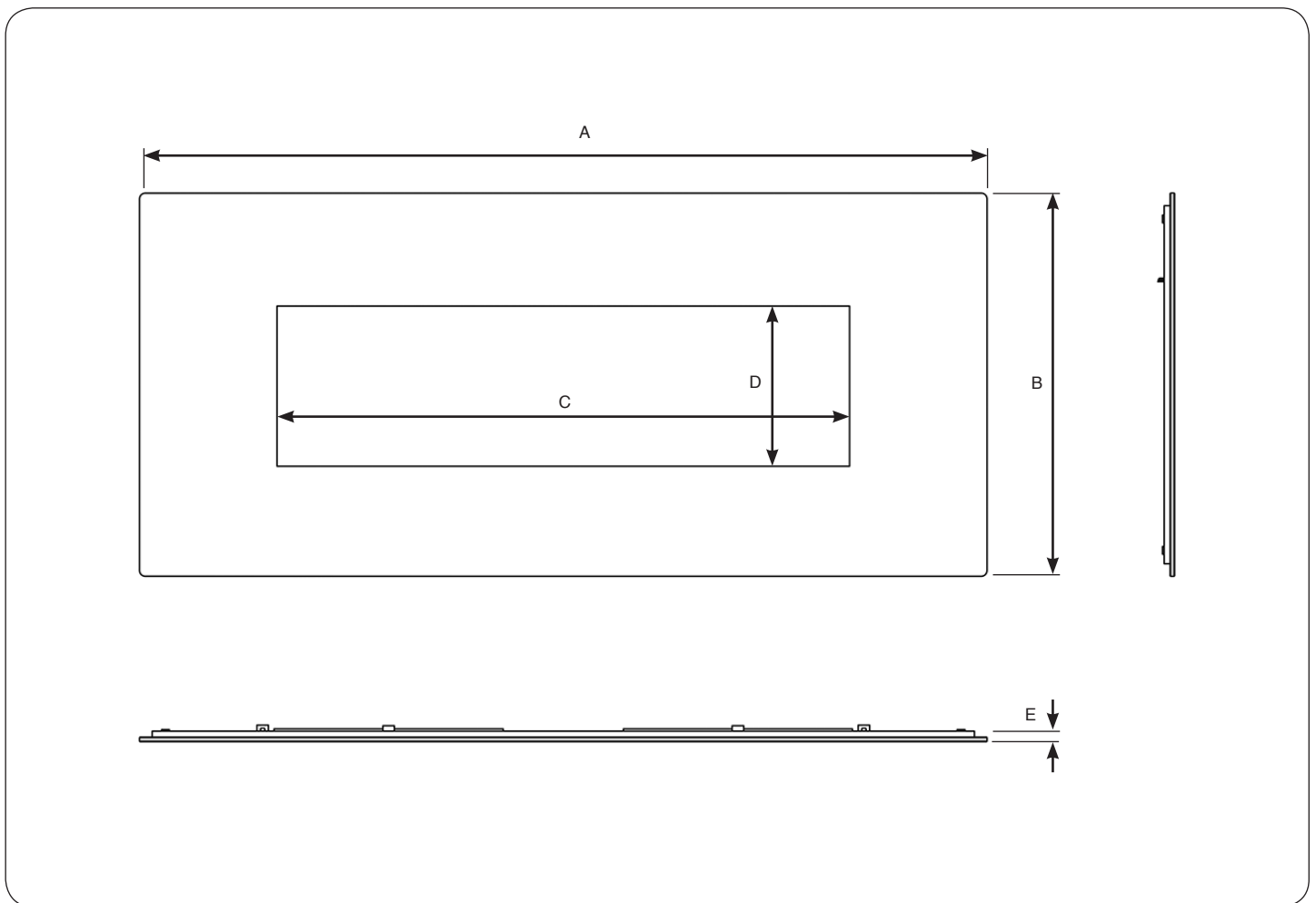
Model	A	B	C	D	E	F
Radiance 80W	890	515	136	370	145	120
Radiance 100W	1090	515	136	370	145	120
Radiance 150W	1590	515	136	370	145	120
Radiance 190W	1990	515	136	370	145	120

Installation Instructions

Technical Specification

These instructions cover the following fronts:

	Radiance 80W	Radiance 100W	Radiance 150W	Radiance 190W
Glass Front - Black	919-344	919-332	919-363	919-389
Glass Front - White	919-372	919-350	919-381	919-396
Flat Steel	919-440	919-453	919-471	919-488



Model	A	B	C	D	E (Glass Front)	E (Flat Steel Front)
Radiance 80W	1280	670	800	280	18	28
Radiance 100W	1480	670	1000	280	18	28
Radiance 150W	1980	670	1500	280	18	28
Radiance 190W	2380	670	1900	280	18	28



Note: When installing with a Wall Mounting bracket (see Installation Section 3) this will add a further 10mm to the overall depth of the appliance and frame.

Installation Instructions

1. General

1.1 TOOLS REQUIRED

A Screw Driver, Spirit Level, Saw and Drill will be needed.

1.2 UNPACKING THE FIREPLACE

WARNING! DO NOT use this appliance if any part has been exposed to water.

Immediately call a qualified service technician to inspect and to replace any part of the electrical system if necessary.

- 1.3 Open the packaging carefully and remove the polystyrene. Remove and discard the plastic bag. Keep plastic wrapping away from children. Be responsible when handling the packing materials.

- 1.4 Check all parts and accessories are removed before disposing of any packaging. If necessary keep the original packaging for future transport and/or storage.

2. Fitting the Appliance



ENSURE THAT THE MAINS SUPPLY IS ISOLATED.

2.1 Locating the Radiance

Your new Radiance may be installed virtually anywhere in your home. However, when choosing a location ensure that the general instructions are followed.

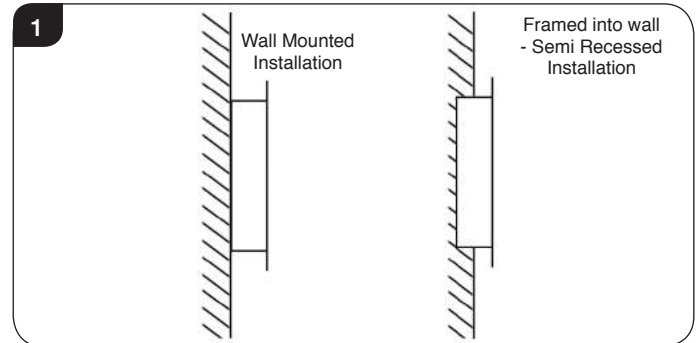
- 2.2 For best results, install out of direct sunlight.
- 2.3 **Make sure there are no pipes or cables behind the area to be drilled or cut.**
- 2.4 **Before installation ensure that the wall is suitably constructed to support the weight of the appliance.**
- 2.5 The appliance should ideally be located close to a suitable mains socket to enable connection. An extension could be run from an existing socket outlet but this must be carried out by a suitably qualified electrical engineer. The electrical socket must be easily accessible to allow disconnection when the appliance is fitted.
- 2.6 If the power cord is damaged, it must be repaired by the manufacturer, its authorised service centre or professional person.
- 2.7 Ensure that curtains and furniture are not positioned close to the chosen position, as this would create a potential fire hazard or block the heater outlet ducts.

WARNING! KEEP ALL COMBUSTIBLE MATERIALS AT LEAST 1M FROM THE FRONT AND SIDES OF THE ELECTRIC FIREPLACE.

- 2.8 There are 2 methods of installation:

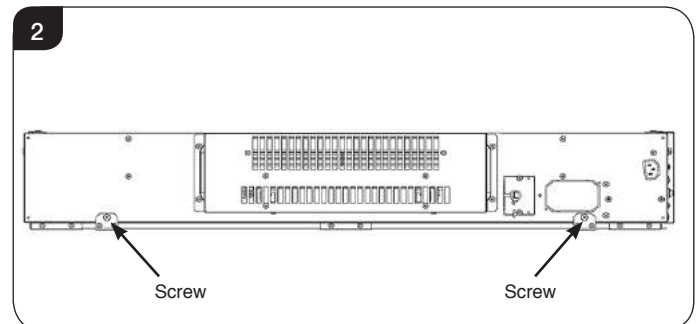
Wall Mounted: the appliance is hung on the wall using the wall mounting bracket supplied, see Section 3.

Semi Recessed Installation: the appliance is located in a purpose built recess using the optional Recess Kit, see Section 4.



The Radiance comes with the wall mounting bracket attached. It is held on by 2 screws on the bottom of the appliance which need to be removed before the bracket can be detached.

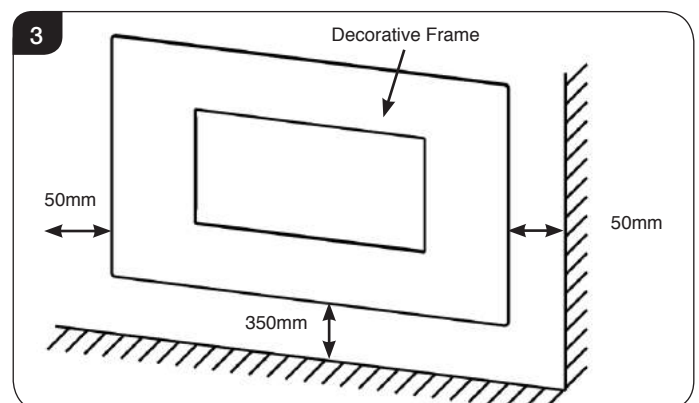
- 2.9 Remove the 2 screws from the base of the appliance, see Diagram 2.



- 2.10 Unhook the wall mounting bracket from the appliance.

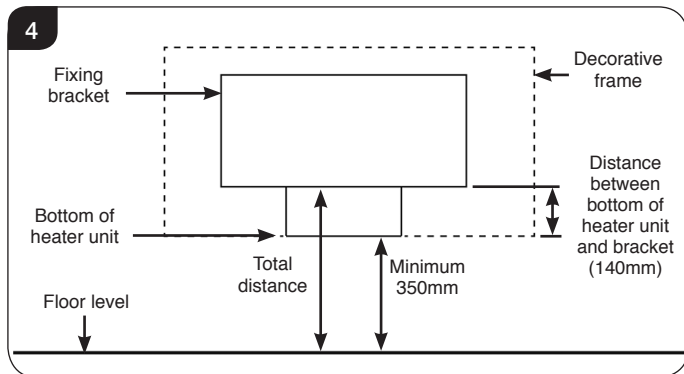
3. Wall Mounted Installation - Mounting Bracket

- 3.1 **Make sure there are no pipes or cables behind the area to be drilled.**
- 3.2 Prior to installation ensure the minimum clearances are observed, see Diagram 3.

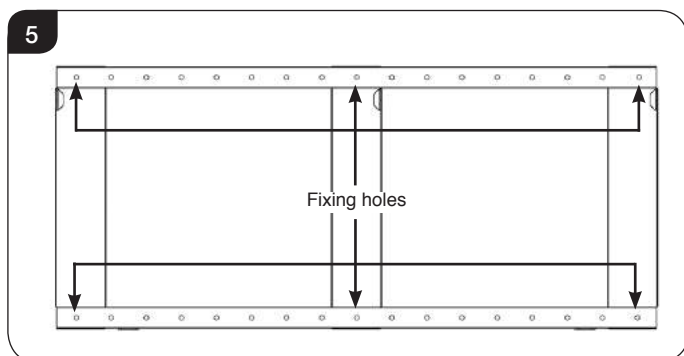


Installation Instructions

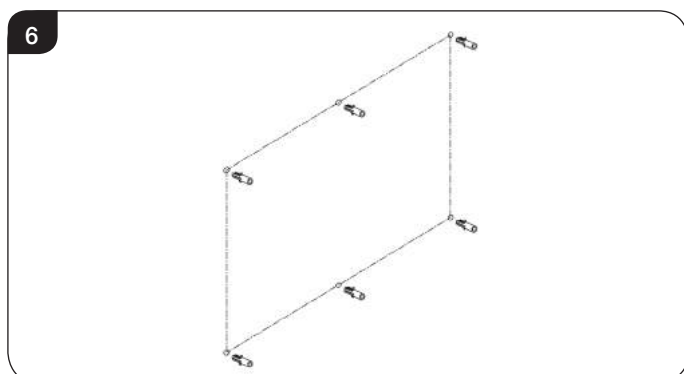
- 3.3 Decide on the height from the floor level to the bottom of the heater unit (minimum of 350mm). Add 140mm to the desired distance between the bottom of the heater unit and floor level to achieve the total distance in Diagram 4. This will give the required height to the underside of the wall mounting bracket.



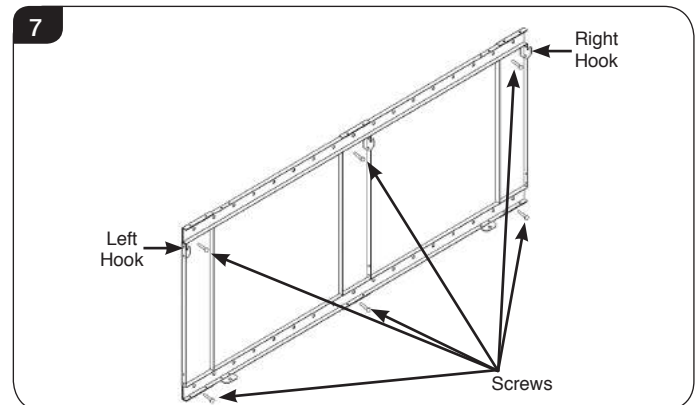
- 3.4 To prepare the installation measure the distance from floor level and draw a line on the wall using a spirit level.
- 3.5 Position the wall mounting bracket so that the bottom edge is level with the line drawn on the wall.
- 3.6 Mark the position of the fixing holes on the wall, see Diagram 5. The number of holes varies depending on the model, ensure even spacing across the wall mounting bracket.



- 3.7 Drill the holes and insert the rawlplugs provided. Note: The rawlplugs supplied are suitable for solid wall applications. If it is intended to mount the appliance onto plasterboard or hollow walls suitable fixings must be used, see Diagram 6.

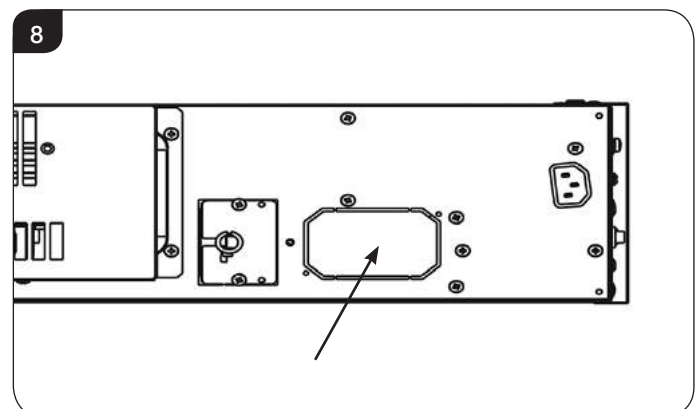


- 3.8 Attach the bracket to the wall using the screws provided ensuring the hooks are at the top, see Diagram 7.

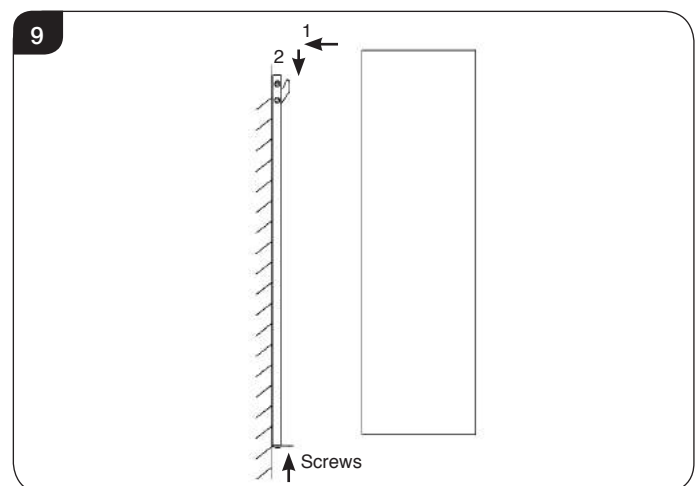


- 3.9 If hardwiring the appliance to the mains cut out the panel shown in Diagram 8. Caution this will produce sharp edges.

i Note: This is a permanent modification. Once the panel has been removed it can not be replaced.



- 3.10 Lift the engine onto the bracket. Insert the hooks into the slots on the back of the engine and secure with 2 screws at the base of the bracket, see Diagram 9.

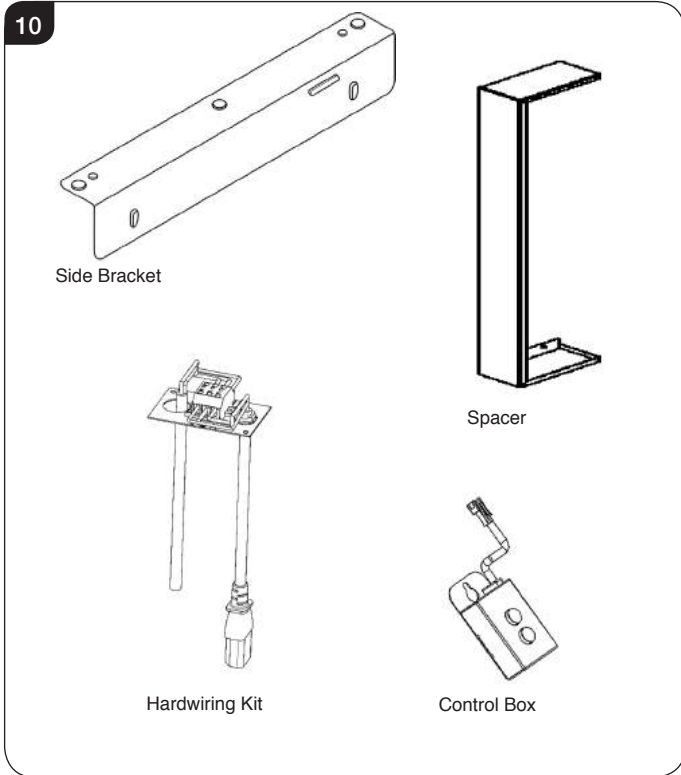


- 3.11 Proceed to Section 5.

Installation Instructions

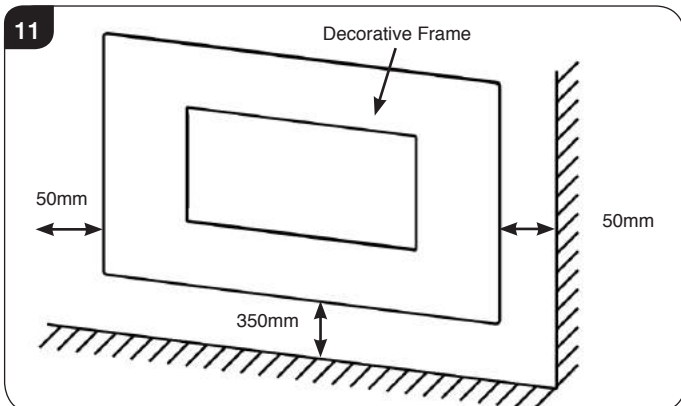
4. Semi Recessed Installation (Optional Kit)

Kit contents:



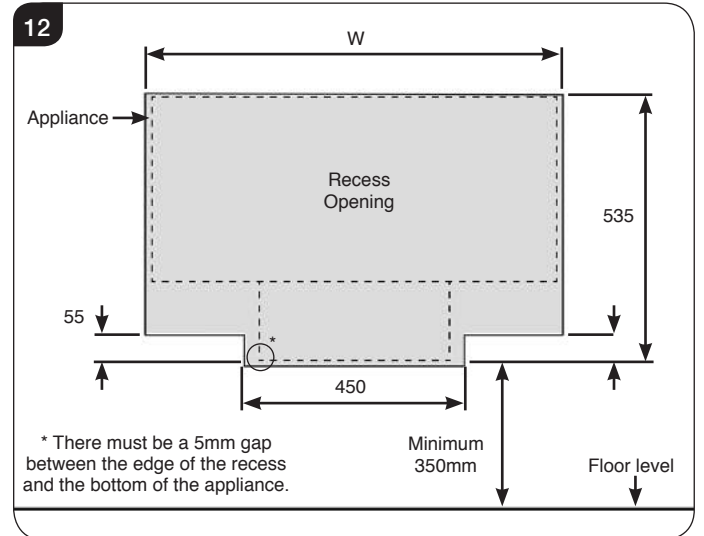
Model	80W	100W	150W	190W
Mounting Brackets			2	
Spacers			2	
Control Box			1	
Hardwiring Kit			1	
M5 x 16 Screws			4	
ST5 x 40 Screws			10	
ST4 x 10 Screws			1	

4.1 Prior to installation ensure the minimum clearances are observed, see Diagram 11.



4.2 Decide on the height from the floor level to the bottom of the recess opening (minimum of 350mm).

It is essential to ensure that there is a gap of 5mm between the edge of the recess opening and the bottom of the heater unit.



4.3 To prepare the installation measure the distance from floor level and draw a line on the wall using a spirit level.

4.4 Prepare the recess opening according to Diagram 12 and the table below to ensure the space is larger than the appliance.

For all models the opening must be to a depth of 90mm.

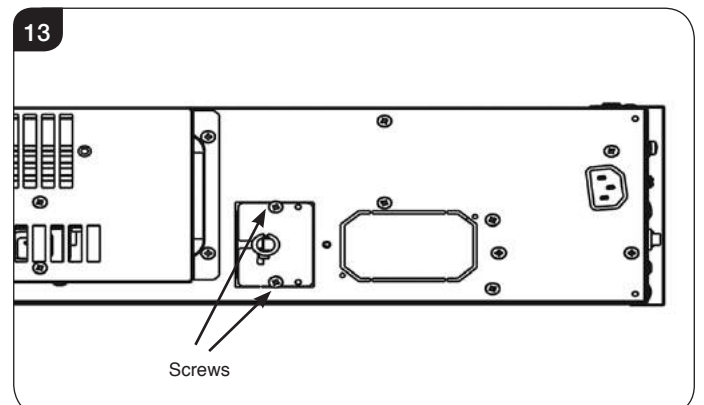
Model	Width (W)
Radiance 80W	932
Radiance 100W	1132
Radiance 150W	1632
Radiance 190W	2032

4.5 Finish the wall up to the edge of the opening.

Preparing the Appliance

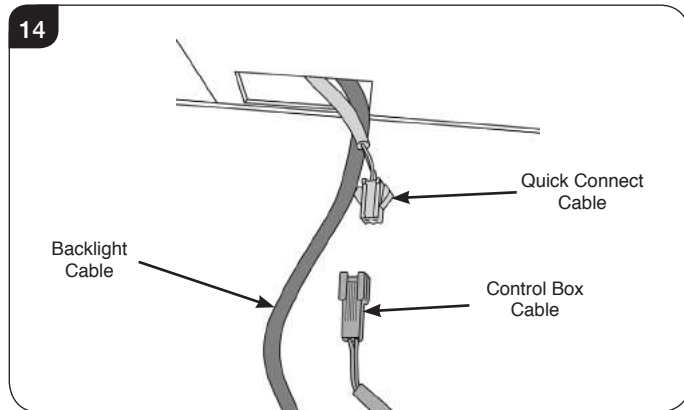
4.6 Ensure that the wall mounting bracket has been removed, see 2.9.

4.7 Remove the 2 screws securing the access panel to the underside of the firebox, see Diagram 13.



Installation Instructions

- 4.8 Withdraw the small quick connect plug.
If fitting a decorative front with an LED feature withdraw the long backlight cable.
- 4.9 Connect the small quick connect plug to the control box (supplied with the kit), see Diagram 14.



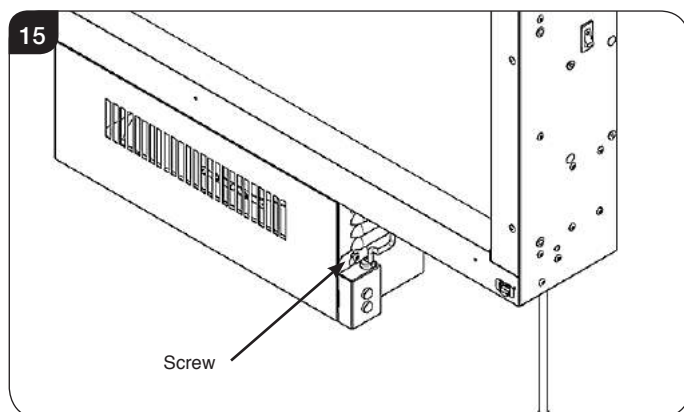
- 4.10 Thread the cables through the cutout in the access panel.
- 4.11 Place excess cable into the appliance and replace the access panel.
- 4.12 Secure with the 2 screws.



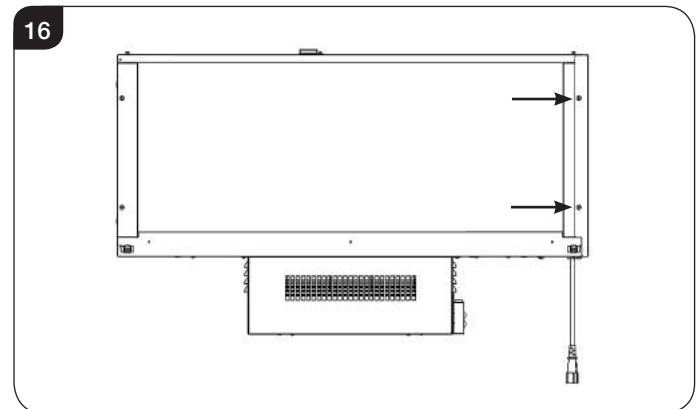
PLEASE ENSURE NO WIRES ARE TRAPPED BEFORE REPLACING THE ACCESS PANEL.

If fitting a decorative front with an LED feature ensure that the backlight cable is still hanging down.

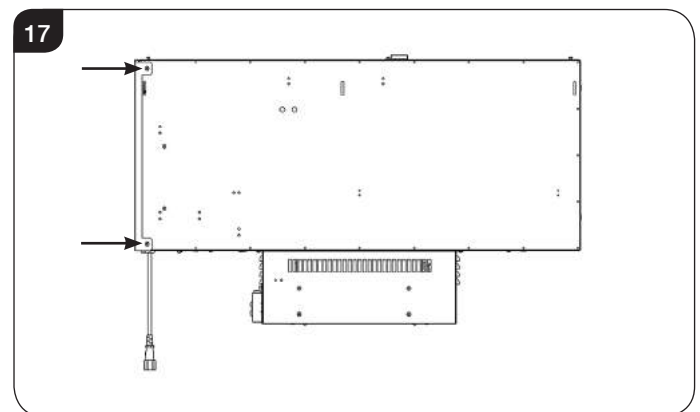
- 4.13 Attach the control box to the appliance with ST4 x 10 screw provided, see Diagram 15.



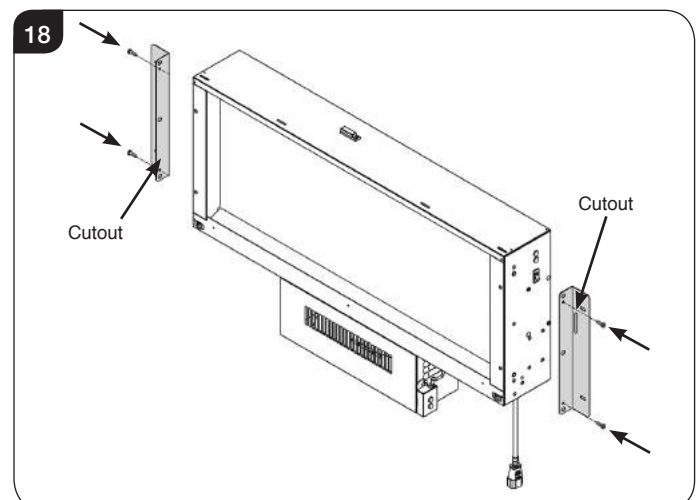
- 4.14 Remove the 2 screws from the front of the appliance, see Diagram 16.



- 4.15 Remove the 2 screws from the rear of the appliance, see Diagram 17.



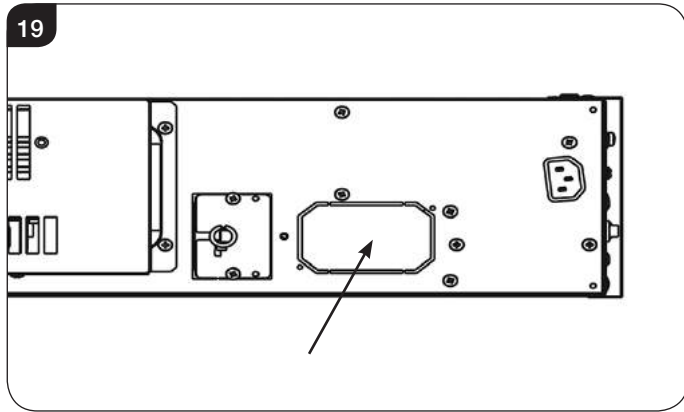
- 4.16 Remove the right hand side cover.
- 4.17 Replace the front 2 screws, see Diagram 16. Retain the remaining 2 screws for later use.
- 4.18 Attach the recess brackets to the sides of the appliance with 4 M5 x 16 screws supplied, see Diagram 18. **Ensure that a cutout is positioned at the top on the right hand side.**



Installation Instructions

4.19 If hardwiring the appliance to the mains cut out the panel shown in Diagram 19. Caution this will produce sharp edges.

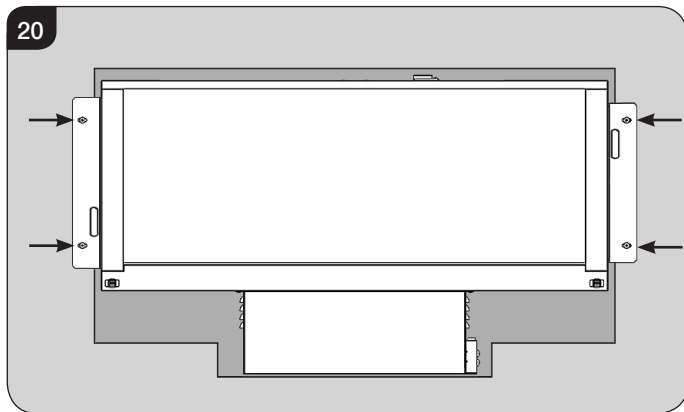
i **Note: This is a permanent modification. Once the panel has been removed it can not be replaced.**



Installing the Appliance

4.20 Position the appliance centrally in the recess. Ensure there is a 5mm gap left between the bottom of the heater unit and the edge of the recess opening.

4.21 Mark the position of the 4 fixing holes on the wall, see Diagram 20.



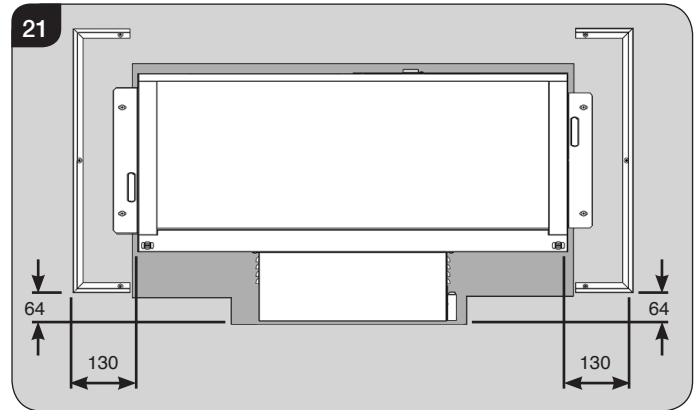
4.22 Remove the appliance from the recess.

4.23 Drill the 4 holes and insert rawlplugs. If it is intended to mount the appliance onto plasterboard or hollow walls suitable fixings must be used.

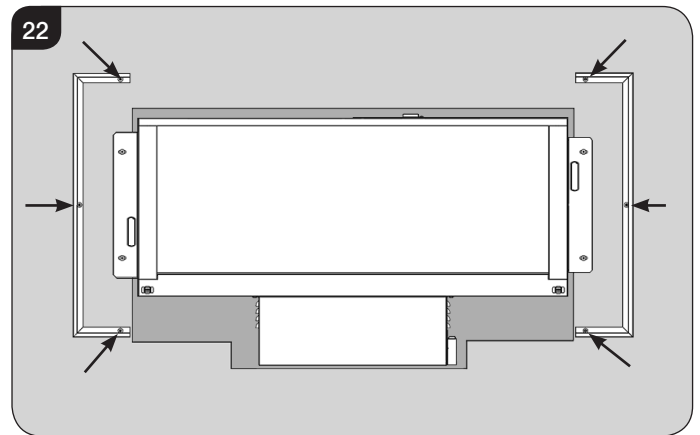
4.24 Reposition the appliance in the recess.

4.25 Secure the brackets to the wall with 4 ST5 x 40 screws, see Diagram 20.

4.26 Position the 2 spacers as shown in Diagram 21. **It is essential that a spirit level is used.**



4.27 Secure with 6 ST5 x 40 screws, see Diagram 22.



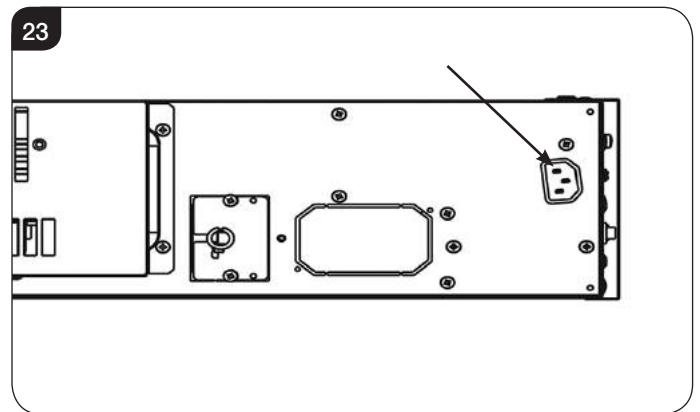
5. Connecting the Power

There are 2 methods of connecting the power:

5a. Mains Plug

If using the plug supplied:

5a.1 Attach the power cord to the engine, see Diagram 23.



Installation Instructions

5b. Hardwiring Kit



THIS MUST ONLY BE CARRIED OUT BY A SUITABLY QUALIFIED PERSON.

ENSURE THAT THE MAINS SUPPLY IS ISOLATED.

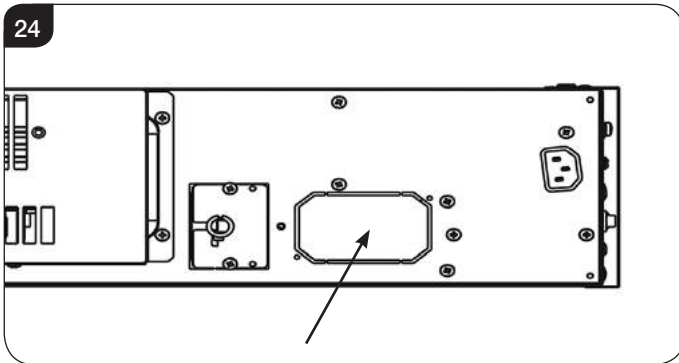


Note: This is a permanent modification. Once the panel has been removed it can not be replaced.

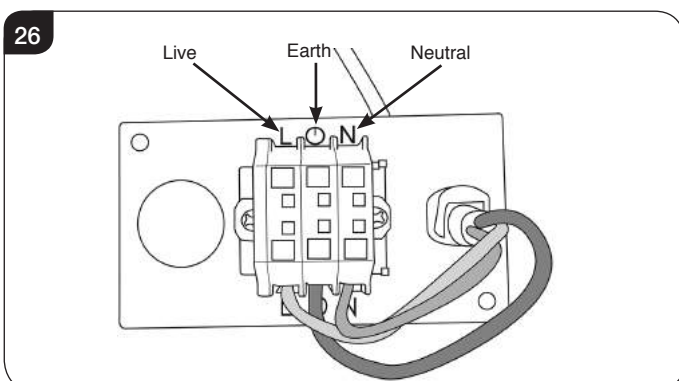
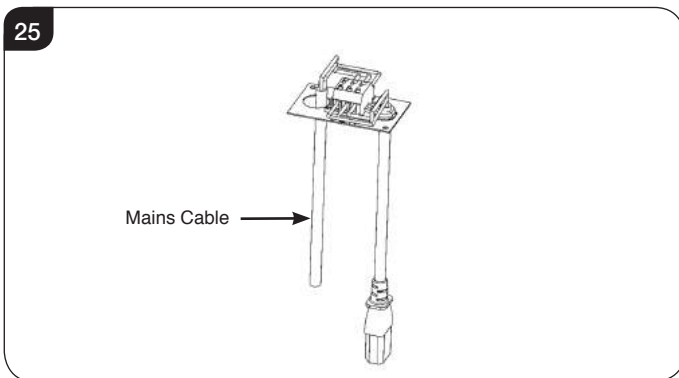
Future installations: If the appliance is to be used with the plug supplied the Hardwiring kit must remain fitted.

If hardwiring the appliance to the mains:

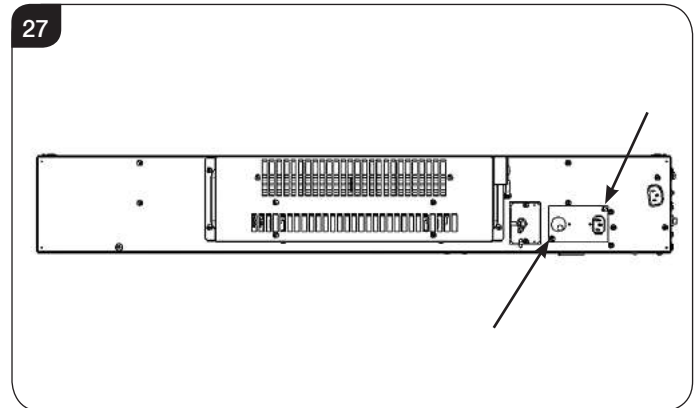
- 5b.1 The panel shown should have previously been removed. Caution sharp edges may be left.



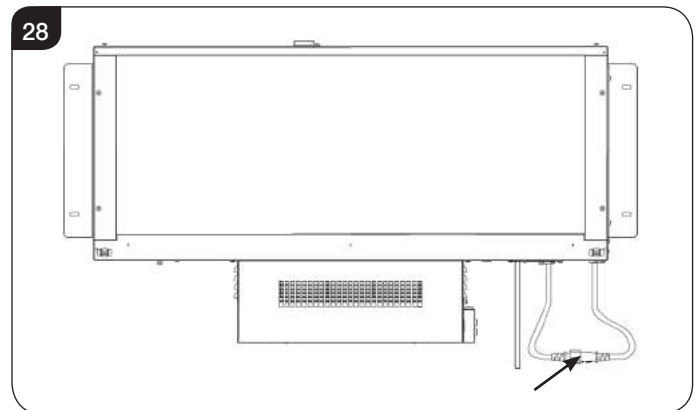
- 5b.2 Connect the mains cable to the hardwiring kit, see Diagram 25. Ensuring that the wires are connected correctly, see Diagram 26.



- 5b.3 Fit the kit using the 2 screws previously removed in 4.12, see Diagram 27.



- 5b.4 Attach the connector to the hardwiring kit.



6. Fitting the Decorative Fuel Effect

- 6.1 Evenly spread the decorative fuel effect across the fuel bed.

Stone Effect only: Randomly space the clear effect throughout the fuel bed. It is not necessary to use all of the effect supplied.

Installation Instructions

7. Fitting the Decorative Front



IMPORTANT: TAKE CARE WHEN HANDLING. THIS DECORATIVE FRONT IS HEAVY. LIFT WITH CAUTION. HANDLING WILL REQUIRE 2 PEOPLE.



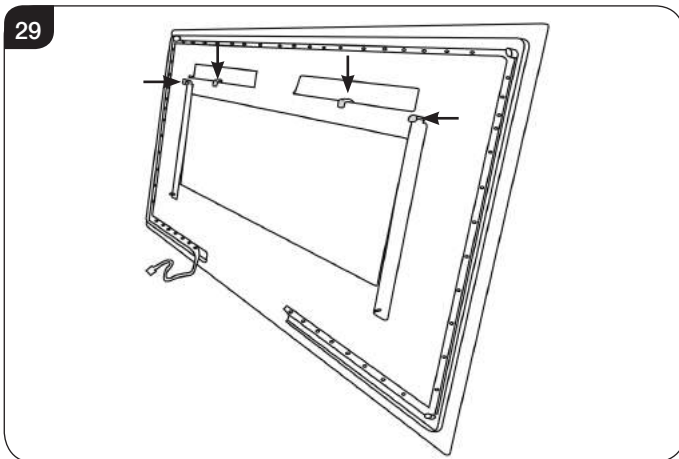
BEFORE FITTING A DECORATIVE FRONT WITH LED EFFECT ISOLATE THE APPLIANCE FROM THE MAINS SUPPLY.



Semi Recessed Installation

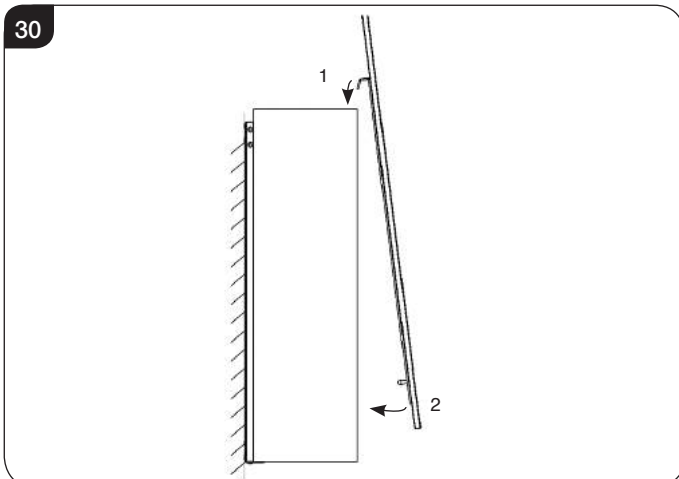
With the appliance isolated, turn on the mains power switch on the right hand side of the outer casing.

- 7.1 The decorative front is secured to the appliance by 4 hooks, see Diagram 29.



- 7.2 Angle the decorative front and locate the hooks in the slots on the top of the appliance, see Diagram 30 (1).

- 7.3 Lower the base of the decorative front until the pins locate in the bottom slots on the face of the appliance, see Diagram 30 (2).



- 7.4 Secure with 2 screws in the 2 outer tabs at the top of the appliance.
- 7.5 If the decorative front has an LED feature connect the backlight cable to the LED lighting plug.
- 7.6 Place the cables behind the glass.

Servicing Instructions

1. Fault Finding

No illumination or uneven lighting:

- 1.1 First change the 13amp fuse for one known to work. If the appliance still does not work, check the socket by plugging in a working appliance. If this too fails to operate, call in a competent electrician to check the socket.
- 1.2 One or more of the LED boards will need replacing. This must be undertaken by a suitably qualified person (see *Servicing Requirements*).

Illumination but no heat:

- 1.3 The safety cut-out has operated to protect against overheating (see *User Instructions, Section 2*). Ensure the air inlet and outlet grilles are free of dust or any other obstruction.
- 1.4 The thermostat control may be set too low. Increase the setting by pressing the thermostat button on the remote control until the heater turns on.

Remote control fails to work:

- 1.5 Check that the batteries are new and correctly fitted. Replace if necessary.
- 1.6 Ensure that the handset is pointed towards the fire.

2. How to wire a plug

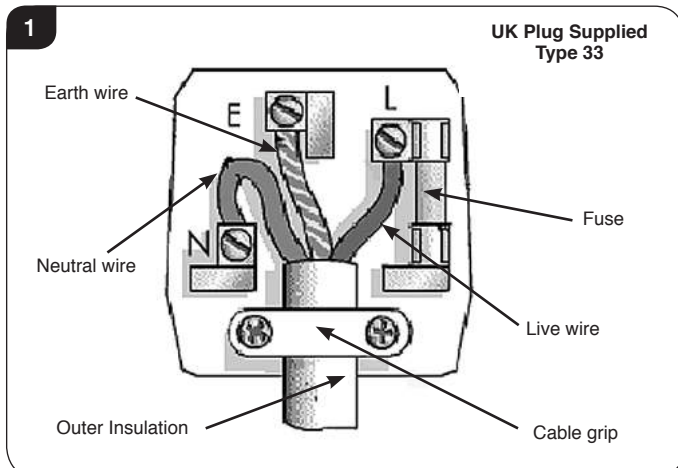
To change the plug supplied with this appliance, follow the instructions below. The instructions assume that the wire has been cut.



WARNING – FAILURE TO CONNECT THE WIRES CORRECTLY COULD PUT PEOPLE AT RISK FROM ELECTRIC SHOCK OR FIRE. IF IN DOUBT CONSULT A QUALIFIED ELECTRICIAN.

UK Plug

Suitable for use in Cyprus, Malta, Ireland & Great Britain.

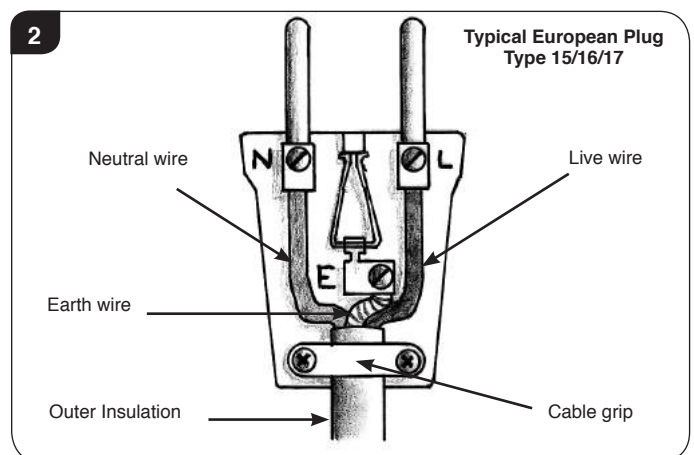


Live Wire	Brown	Terminal L / RED
Neutral Wire	Blue	Terminal N / BLACK
Earth Wire	Green & Yellow Stripes	Terminal E / / GREEN or GREEN & YELLOW

THIS APPLIANCE MUST BE EARTHED

European Plug

Suitable for use in Austria, Belgium, Bulgaria, Czech Republic, Denmark, Estonia, Finland, France, Greece, Hungary, Germany, Italy, Latvia, Lithuania, Luxembourg, Netherlands, Poland, Portugal, Romania, Slovakia, Slovenia, Spain & Sweden



- 2.1 Dispose of the old plug safely. Ensure the new plug is not cracked or chipped.
- 2.2 Expose 4cm of the coloured wires and trim to the correct lengths so that they comfortably reach the correct terminals.
- 2.3 Ensure that the Earth wire has more slack than any of the other wires.
- 2.4 Remove some of the insulation to leave about 1cm of exposed metal core on each wire.
- 2.5 Twist the strands of the wire together.
- 2.6 Loosen the screw heads above each terminal.
- 2.7 Push the metal wire into the hole beneath each screw head or, dependent on plug design, wind the metal wire around the screw.
- 2.8 Ensure that the insulation reaches right up to each terminal as illustrated and there are no loose strands of wire.
- 2.9 Ensure the cable sits correctly under the cable grip and tighten to secure.
- 2.10 Refer to *Technical Specification* for fuse rating and fit the appropriate fuse into the plug.
- 2.11 Attach the plug cover.

Servicing Instructions

3. Servicing Requirements



DURING SERVICING OF THIS APPLIANCE IT MAY BE NECESSARY TO CUT CABLE TIES IN ORDER TO ACCESS AND REMOVE SOME OF THE PARTS. THESE MUST BE REPLACED WHEN REASSEMBLING THE APPLIANCE.

THIS APPLIANCE MUST ONLY BE SERVICED BY A SUITABLY QUALIFIED PERSON.

BEFORE UNDERTAKING ANY WORK ON THE APPLIANCE: SWITCH OFF THE APPLIANCE AT THE MAINS POWER SWITCH AND ISOLATE IT FROM THE MAINS ELECTRICITY SUPPLY.

3.1 Wait for at least 10 minutes until the appliance has cooled down.

3.2 Remote Handset Battery Replacement

Replace with 2 AAA batteries. Make sure the batteries are installed correctly in the remote control.

3.3 Maintenance of Motors

The motor used on the flame effect is pre-lubricated for extended bearing life and requires no further lubrication. However, periodic cleaning/vacuuming of the heater unit is recommended.

3.4 Resetting the Thermal Cutout Switch

The appliance is fitted with an Electronic Safety Control (E.S.). This is a safety device which switches off the fire if, the appliance overheats for any reason e.g. when covered.

If the heater stops operating whilst the flame effect continues normally, this indicates that the E.S. Control is in operation.

The E.S. Control can only be re-set after the appliance has cooled down.

To re-set the E.S.:

Switch off the appliance (Manual On/Off switch) and leave for approximately 10-15 minutes.

Remove any obstruction to the fan heater outlet or other internal parts.

Switch on appliance and the E.S. Control will re-set. Ensure that the appliance is functioning correctly. If the E.S. Control operates again, the appliance should be checked by a competent Electrician.

4. Removing the Decorative Front



IMPORTANT: TAKE CARE WHEN HANDLING. THIS DECORATIVE FRONT IS HEAVY. LIFT WITH CAUTION. HANDLING WILL REQUIRE 2 PEOPLE.



BEFORE REMOVING A DECORATIVE FRONT WITH LED EFFECT ISOLATE THE APPLIANCE FROM THE MAINS SUPPLY.

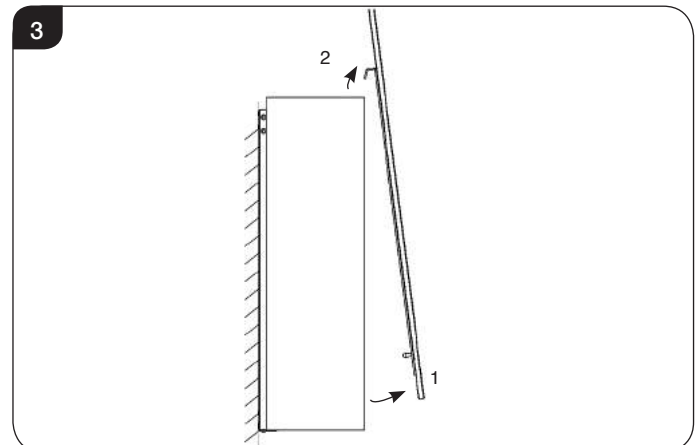
4.1 If the decorative front has an LED feature:

Withdraw the LED lighting plug from behind the glass and disconnect the cables.

4.2 Undo the 2 screws in the tabs at the top of the appliance.

4.3 Carefully pull the bottom edge of the decorative front forward to disengage the lower pins from the bottom slots, see Diagram 3 (1).

4.4 Lift the decorative front free from the slots in the top of the appliance, see Diagram 3 (2).



4.5 Replace in reverse order.

5. Wall Mounted Installation

Before servicing it will be necessary to remove the appliance from the wall bracket.

5.1 Remove the decorative front, see Section 4.

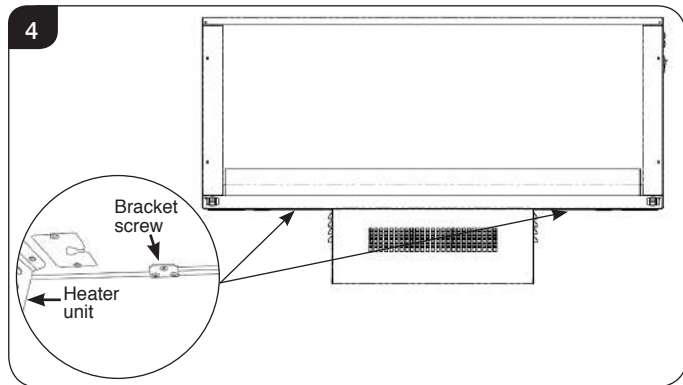
5.2 Remove the decorative fuel effect from the fuel bed.

Note: When replacing the fuel effect ensure that it is evenly spread across the fuel bed.

Stone Effect only: Randomly space the clear effect throughout the fuel bed.

Servicing Instructions

- 5.3 The appliance is secured to the wall bracket by 2 screws located on either side of the heater element, see Diagram 4.



- 5.4 Remove the screws to release the appliance.
5.5 Lift the unit off the hooks on the bracket.
5.6 Replace in reverse order.

6. Semi Recessed Installation

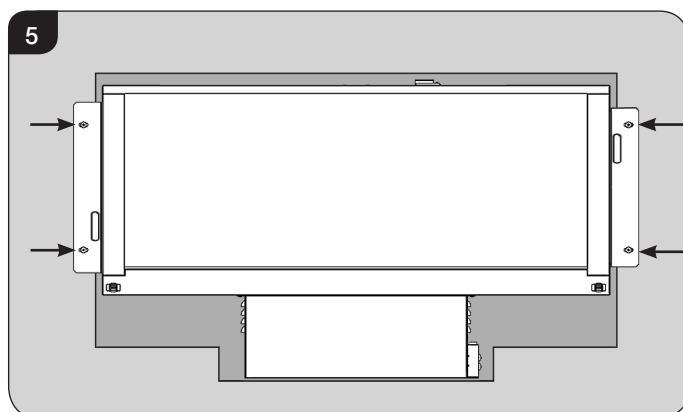
Before servicing it will be necessary to remove the appliance from the Semi Recessed installation.

- 6.1 Remove the decorative front, see Section 4.
6.2 Remove the decorative fuel effect from the fuel bed.

Note: When replacing the fuel effect ensure that it is evenly spread across the fuel bed.

Stone Effect only: Randomly space the clear effect throughout the fuel bed.

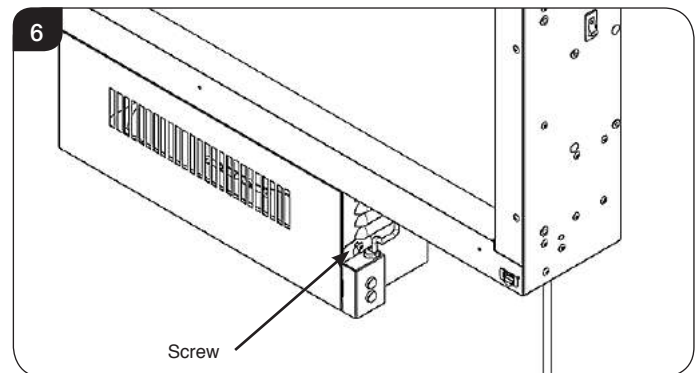
- 6.3 Remove the 4 bracket screws, see Diagram 5.



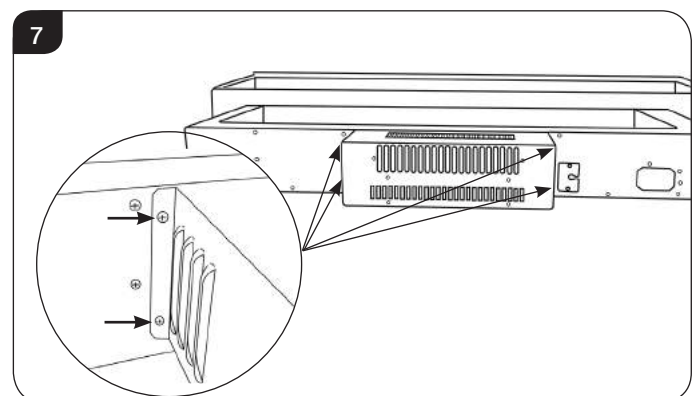
- 6.4 Remove the appliance from the recess.
6.5 Replace in reverse order.

7. Removing the Heater Unit

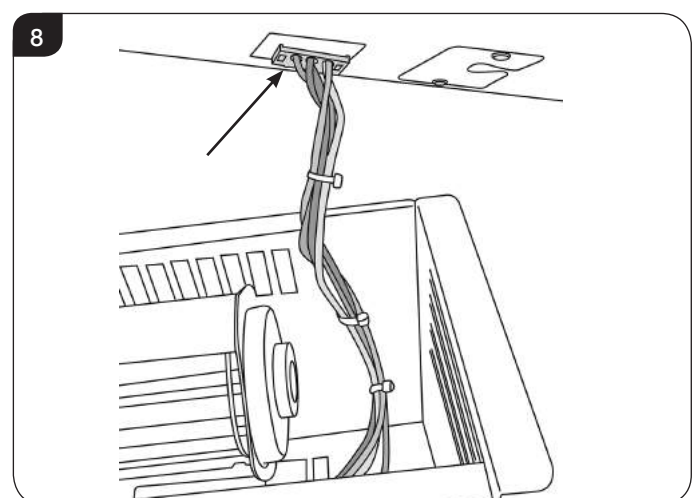
- 7.1 Carefully lay the appliance on its back on a soft flat surface.
7.2 If Semi Recessed: remove the control box from the appliance by removing the screw, see Diagram 6.



- 7.3 The Heater Unit is attached to the bottom of the appliance by 4 screws, see Diagram 7.



- 7.4 Remove the 4 screws and gently pull the heater unit away from the appliance.
7.5 Unplug the wiring loom from the main appliance body by squeezing the sides of the connector, see Diagram 8.



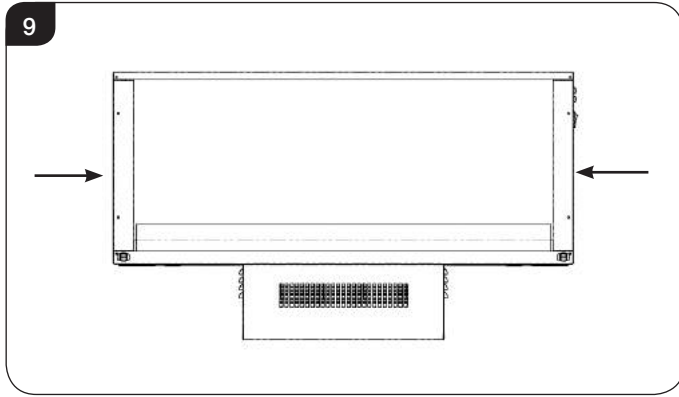
- 7.6 The Heater Unit can now be replaced.
7.7 Replace in reverse order.

Servicing Instructions

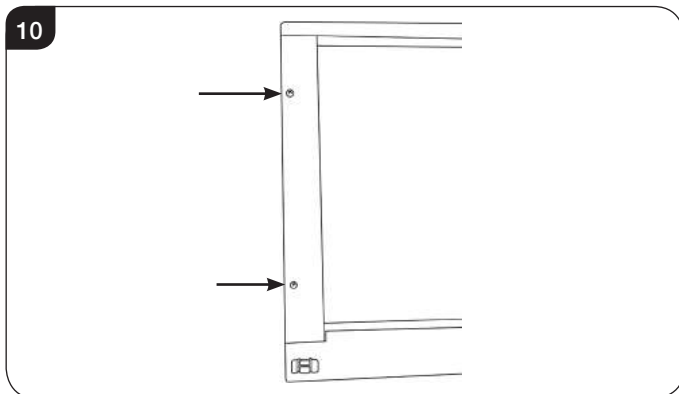
8. Removing the Screen

All Models

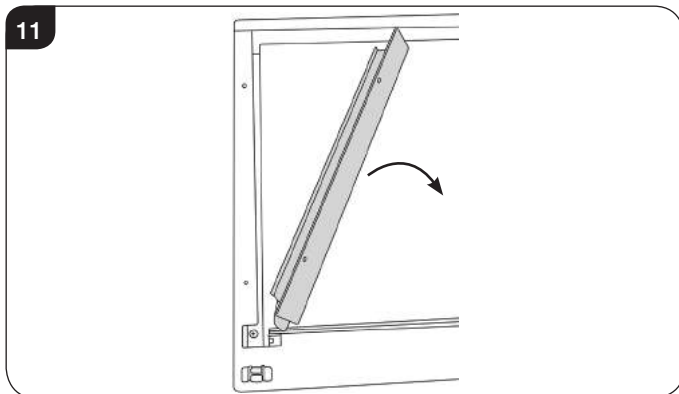
8.1 To remove the screens the 2 side brackets must be removed, see Diagram 9.



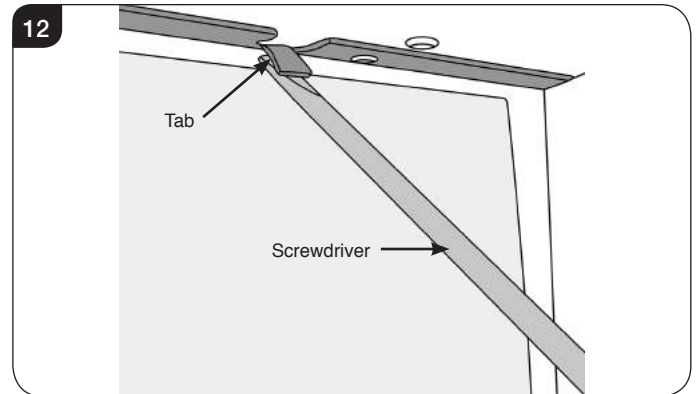
8.2 Remove the screws that secure the side panels, see Diagram 10.



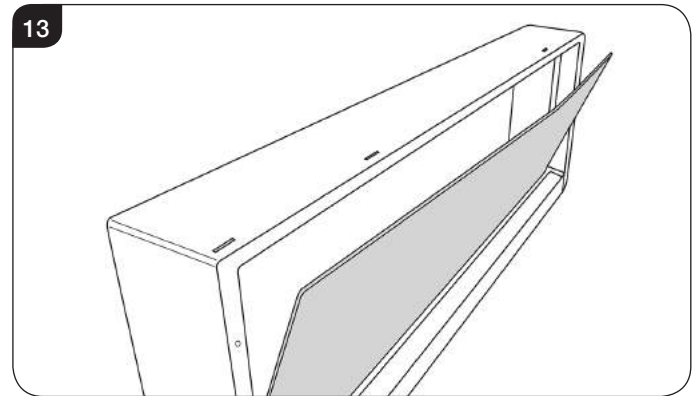
8.3 Pull the side panels down at an angle and pull forward to remove, see Diagram 11.
Note: Each panel will only fit on one side.



8.4 Using a flat bladed screwdriver carefully bend the metal tabs at the top of the firebox holding the effects screen, see Diagram 12.



8.5 Carefully pull the screen forward to release, see Diagram 13.
NOTE: The screen is flexible to bend under the tabs.



8.6 Carefully set screen to one side to avoid damage.

IMPORTANT: When replacing the screen the side with the matt finish must face towards the front of the appliance with the logo located at the top right hand corner.

8.7 Replace in reverse order.

Servicing Instructions

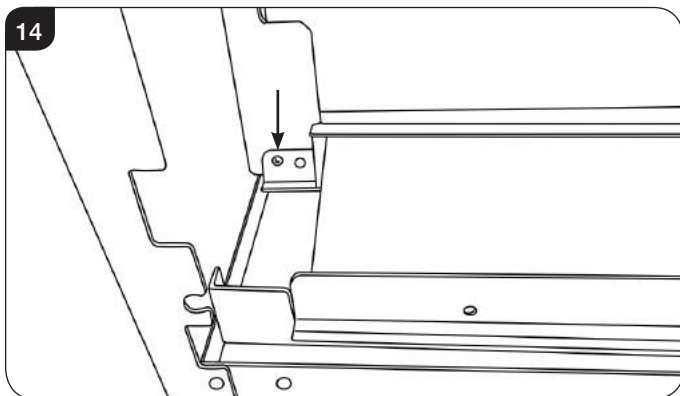
9. Removing the Fuel Bed

All models

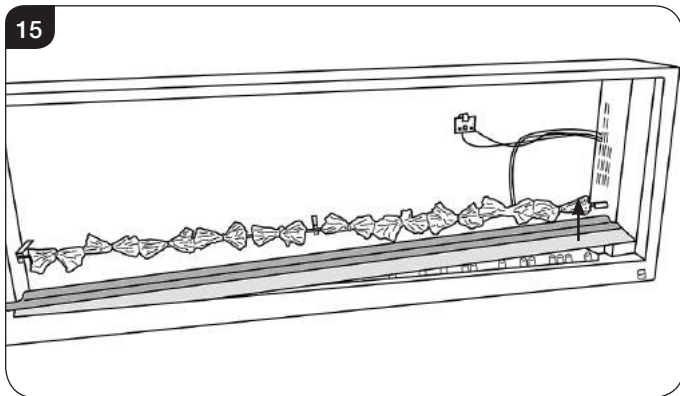
In order to access and carry out servicing to many internal parts it is easier to remove Fuel Bed.

To do this:

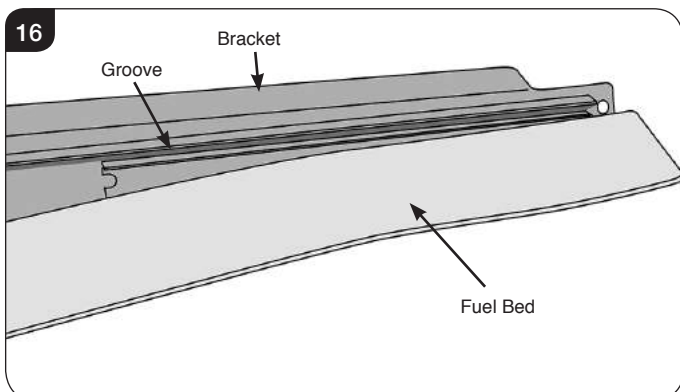
- 9.1 Remove the screen, see Section 8.
It is now possible to access the interior of the appliance.
- 9.2 Remove the 2 screws from either side of the Fuel Bed bracket, see Diagram 14.



- 9.3 The bracket and the Fuel Bed can now be lifted out of the appliance, see Diagram 15.



- 9.4 Replace in reverse order.
NOTE: The flexible fuel bed locates in a groove in the bracket, see Diagram 16.

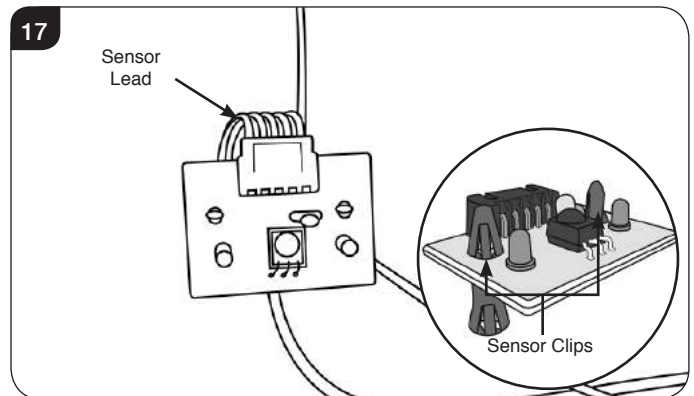


10. Replacing the Remote Sensor

- 10.1 Follow Section 8 to remove the screen.

The Remote Sensor is located at the top of the appliance to the right hand side.

- 10.2 Disconnect the sensor lead and carefully move to one side, see Diagram 17.
- 10.3 Using a pair of long nosed pliers squeeze the clips that hold the sensor to the back of the appliance in order to release.

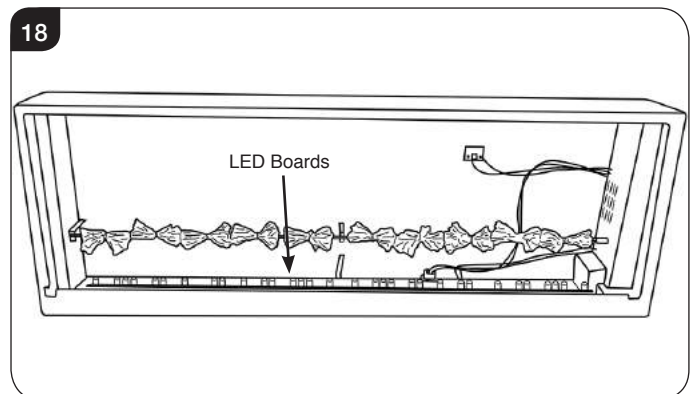


- 10.4 Remove the sensor and replace as required.

11. Replacing the LED boards

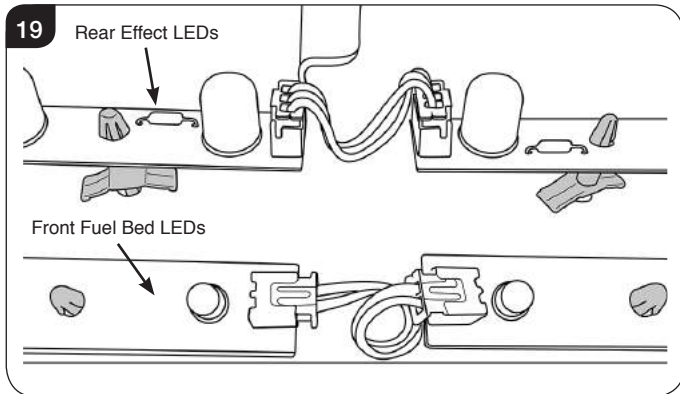
All Models

- 11.1 Follow Sections 8 & 9 to remove the screen and fuel bed.
- 11.2 The LED boards are located at the bottom of the appliance, see Diagram 18.



Servicing Instructions

- 11.3 The LED boards are coupled together at the end of each board and held in place by clips, see Diagram 19.



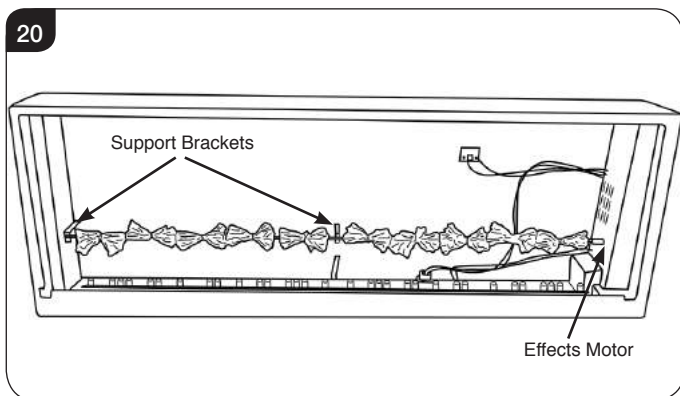
- 11.4 Unplug the correct LED board and use a pair of long nosed pliers to squeeze the clips and release.

- 11.5 Fitting a new board is the reverse of this process.

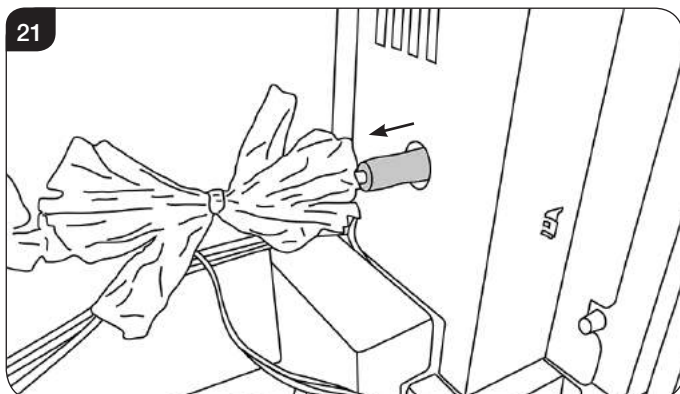
12. Removing the Effects Spindle

In order to access and carry out servicing to some internal parts the Effects Spindle will need to be removed.

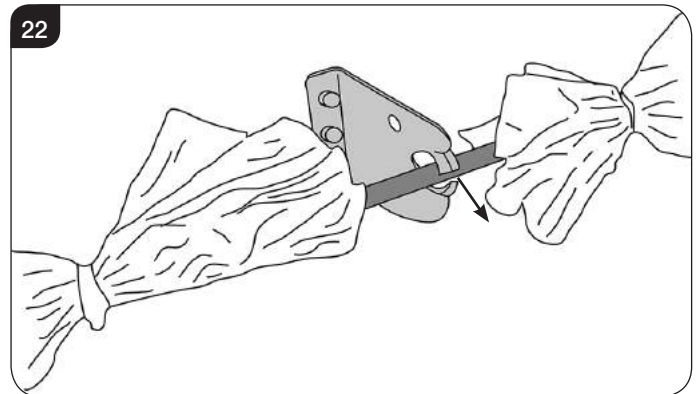
- 12.1 Remove the screen, see Section 8.
- 12.2 The Effects Spindle is attached to the Effects Motor and supported in 2 additional places, see Diagram 20.



- 12.3 The Effects Spindle is attached to the Effects Motor by a rubber sleeve. Pull the rubber sleeve off the Effect Motor axle, see Diagram 21.



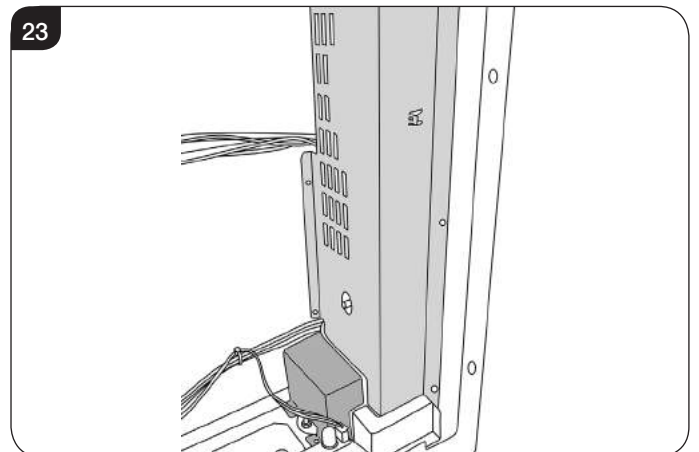
- 12.4 Gently withdraw the spindle from the support brackets at an angle, see Diagram 22.



- 12.5 Replace in reverse order.

13. Accessing the Electronics

- 13.1 Follow Sections 8, 9 & 12 to remove the screen, fuel bed and Effects Spindle.
- 13.2 The electronics are protected by a cover on the right hand side of the appliance, see Diagram 23.



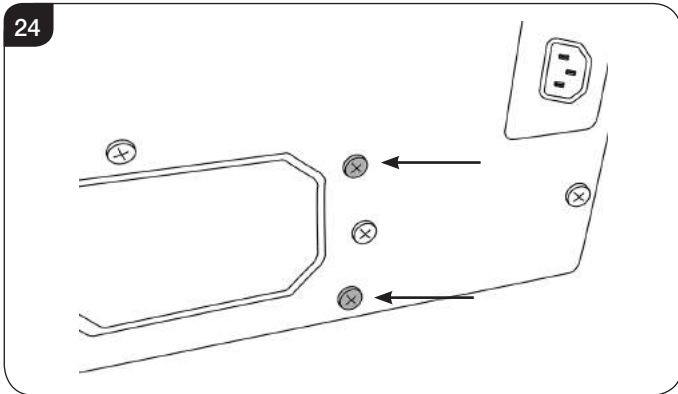
By removing this cover it is possible to service the following parts:
Effects Motor
Manual Control Board
PCB

Servicing Instructions

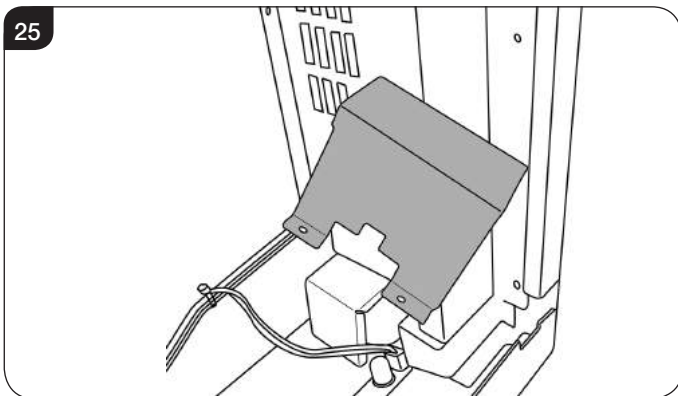
13.3 First remove the motor housing.

To do this:

13.4 Remove the 2 screws at the base of the appliance to the left of the power cable, see Diagram 24.

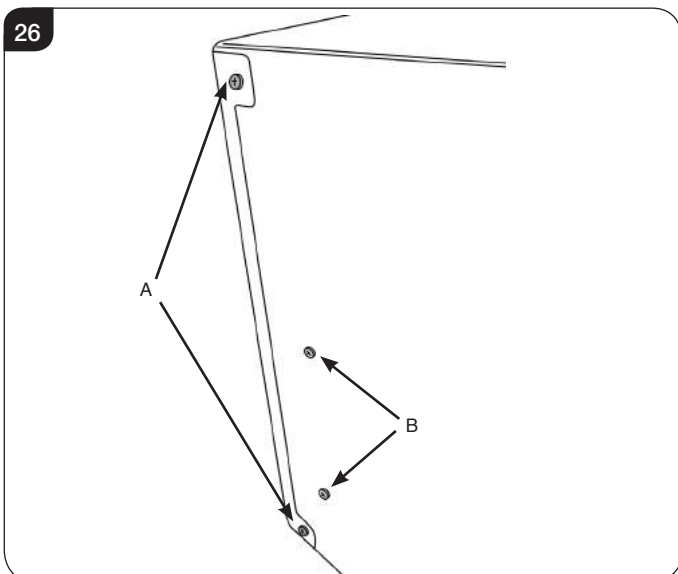


13.5 The lower cover can now be lifted off, see Diagram 25.



Wall Mounted only

13.6 Remove the 2 screws securing the outer right hand side cover from the rear of the appliance, see Diagram 26, Arrow A.

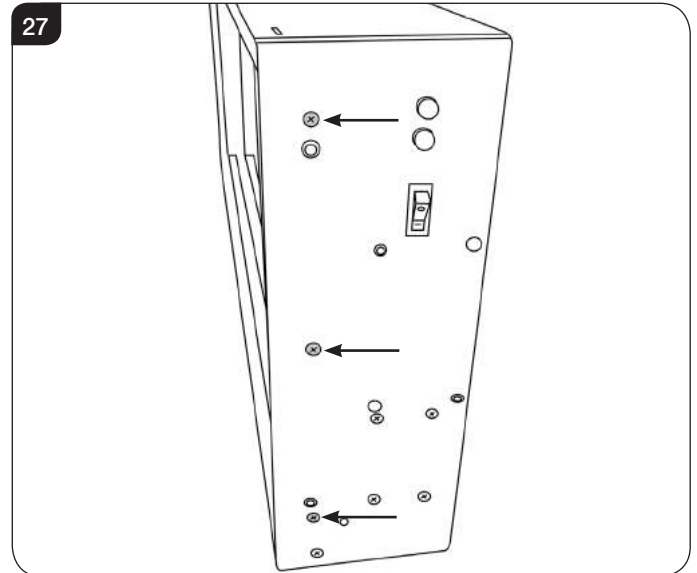


13.7 Remove the cover to reveal additional fixings.

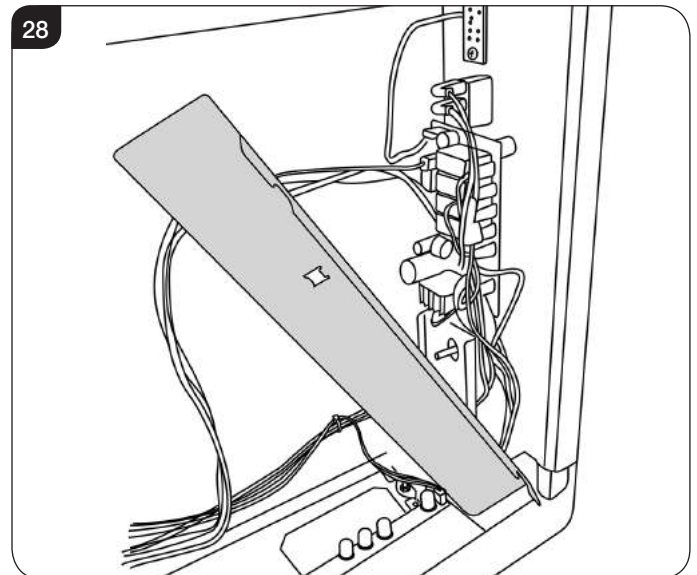
All Models

13.8 Remove the 2 screws from the rear of the appliance, see Diagram 26, Arrow B.

13.9 Remove the front 3 screws on the right hand side of the appliance, see Diagram 27.



13.10 The inside cover can now be removed to reveal the electronics, see Diagram 28.

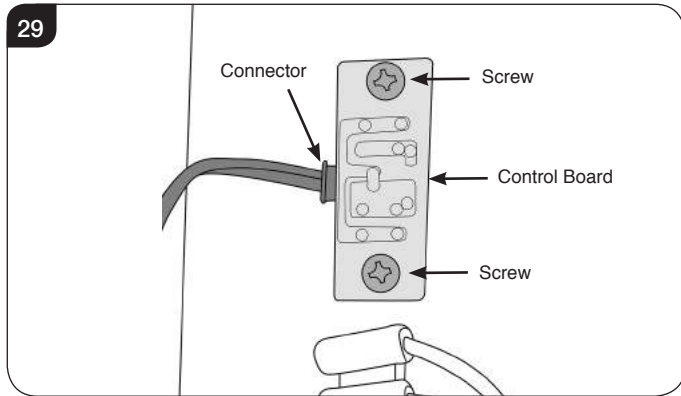


13.11 Replace in reverse order.

Servicing Instructions

14. Replacing the Manual Control Board

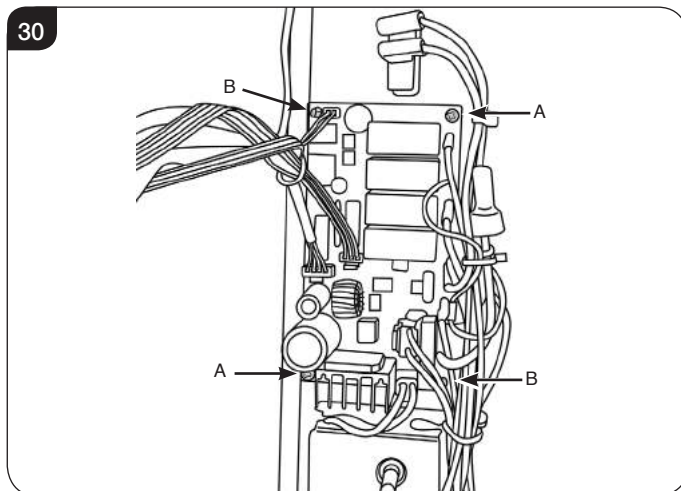
- 14.1 Follow Sections 8, 9, 12 and 13 to access the Control Board.
- 14.2 Undo the screws on the back of the board, see Diagram 29.
- 14.3 Unclip the connector to remove the board.



- 14.4 Replace in reverse order.

15. Replacing the PCB

- 15.1 Follow Sections 8, 9, 12 and 13 to access the PCB.
- 15.2 Remove the wires from the PCB, carefully noting the current location.
- 15.3 Unscrew the 2 diagonal fixings (A) and 2 push fit fasteners (B) then carefully remove the PCB unit, see Diagram 30.

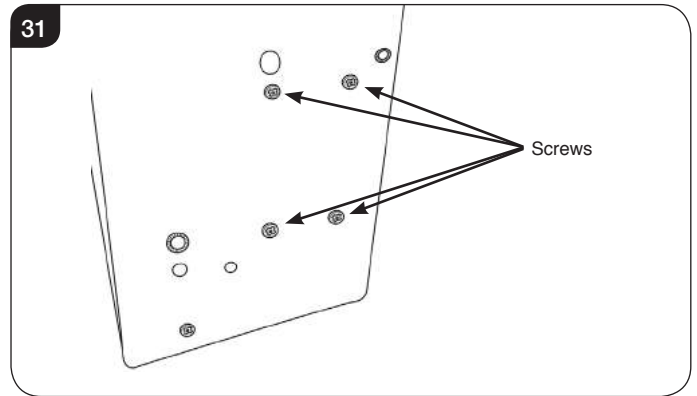


- 15.4 Replace in reverse order ensuring the connections are put back in exactly the same configuration as was originally found.

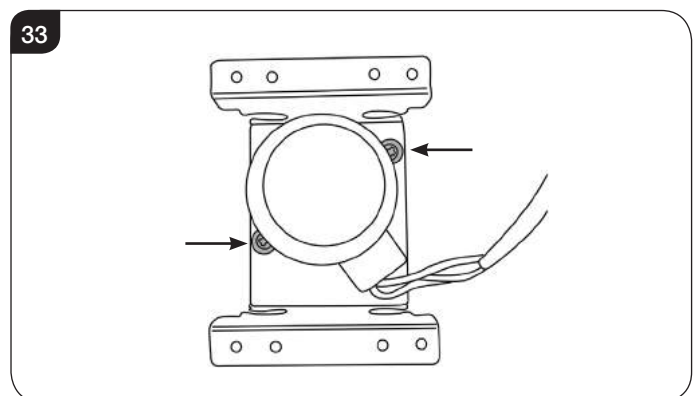
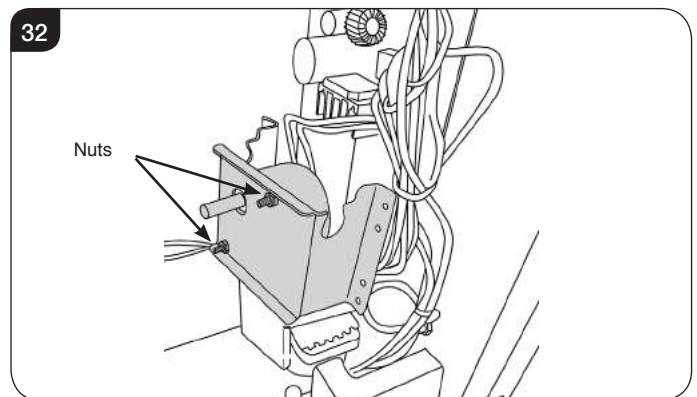
! PLEASE ENSURE NO WIRES ARE TRAPPED

16. Replacing the Effects Motor

- 16.1 Follow Sections 8, 9, 12 and 13 to access the Effects Motor.
- 16.2 Remove the 4 screws on the side of the appliance securing the Effects Motor housing, see Diagram 31.



- 16.3 The effects motor and housing can now be withdrawn from the casing.
- 16.4 Undo the 2 nuts and remove the bolts securing the Effects Motor to the housing, see Diagrams 32 and 33.



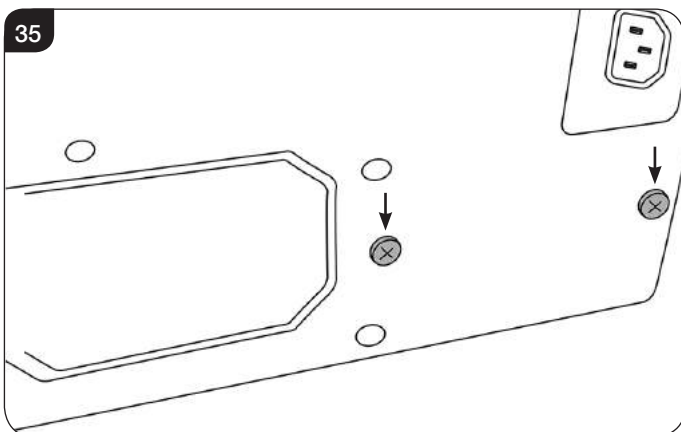
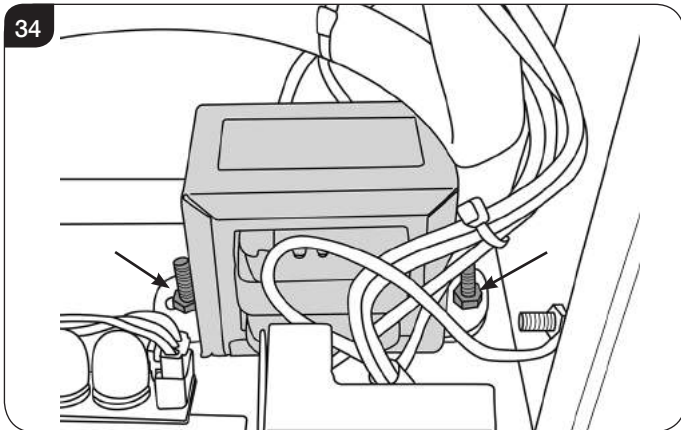
- 16.5 Detach the cable connecting the motor unit to the PCB.
- 16.6 Replace in reverse order.

! PLEASE ENSURE NO WIRES ARE TRAPPED

Servicing Instructions

17. Transformer

- 17.1 Follow Sections 8, 9, 12, 13 and 16 to access the Transformer.
- 17.2 Holding the 2 nuts inside the appliance, see Diagram 34 remove the 2 screws from the underside of the casing, see Diagram 35.



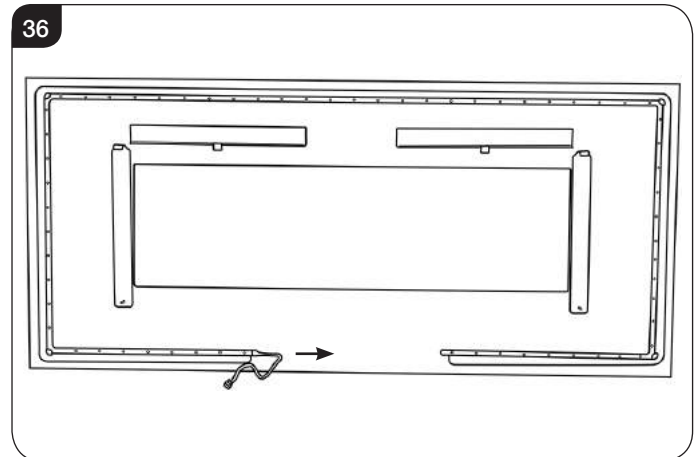
- 17.3 Unplug the wires from the PCB.
- 17.4 Replace in reverse order ensuring the connections are put back in exactly the same configuration as was originally found.



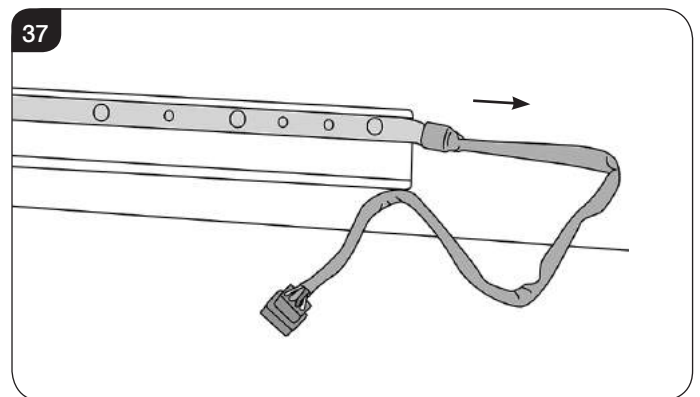
PLEASE ENSURE NO WIRES ARE TRAPPED

18. Decorative Front LEDs

- 18.1 Remove the Decorative Front, see Section 4.
- 18.2 Carefully place the decorative front on a soft flat surface, see Diagram 36.



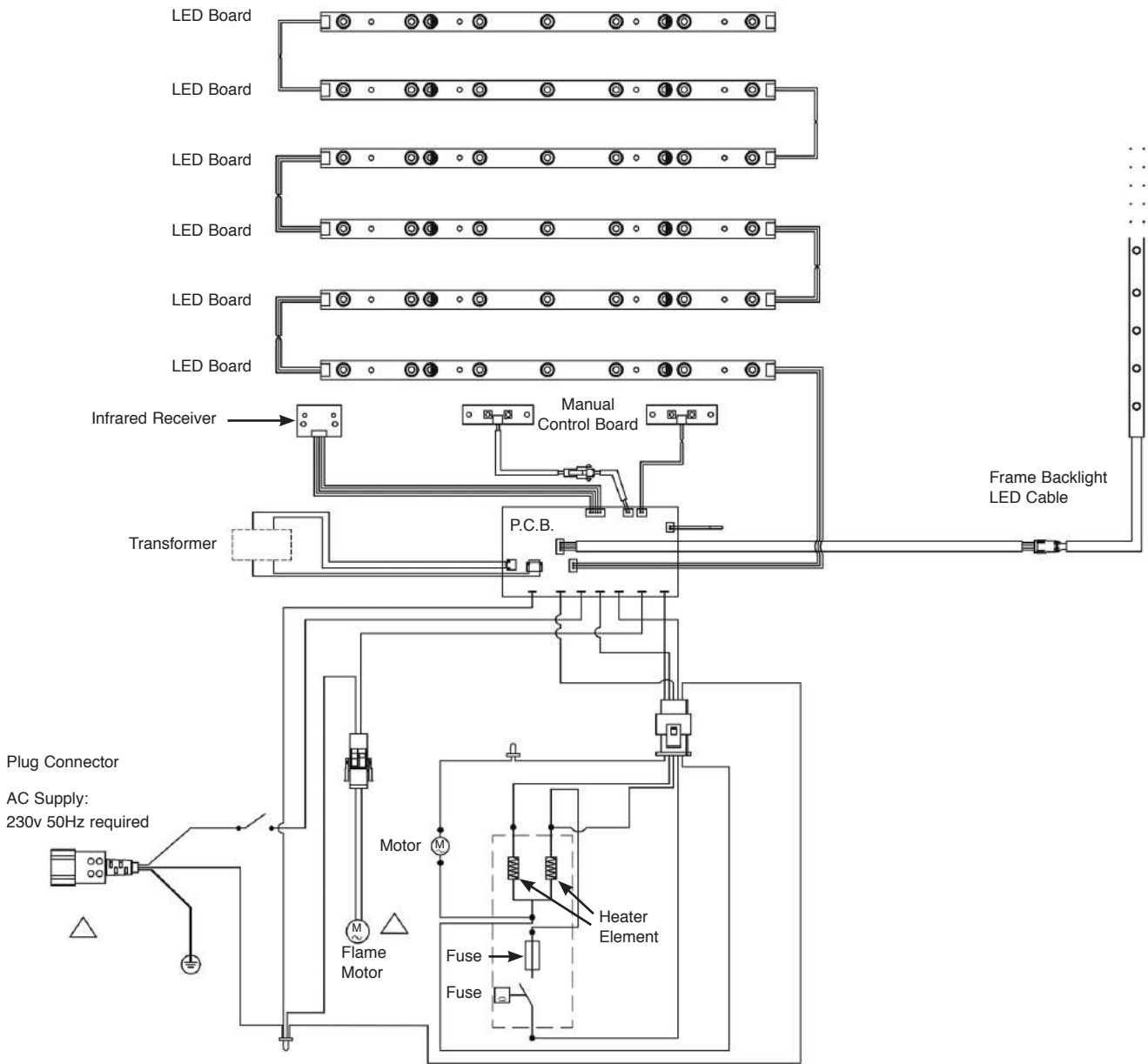
- 18.3 Carefully withdraw the LED strip from the channel, see Diagram 37.



- 18.4 The LED strip can now be replaced.
To replace:
- 18.5 Feed the LED strip into the channel, ensuring that the plug is located on the lower left hand side, see Diagram 35.

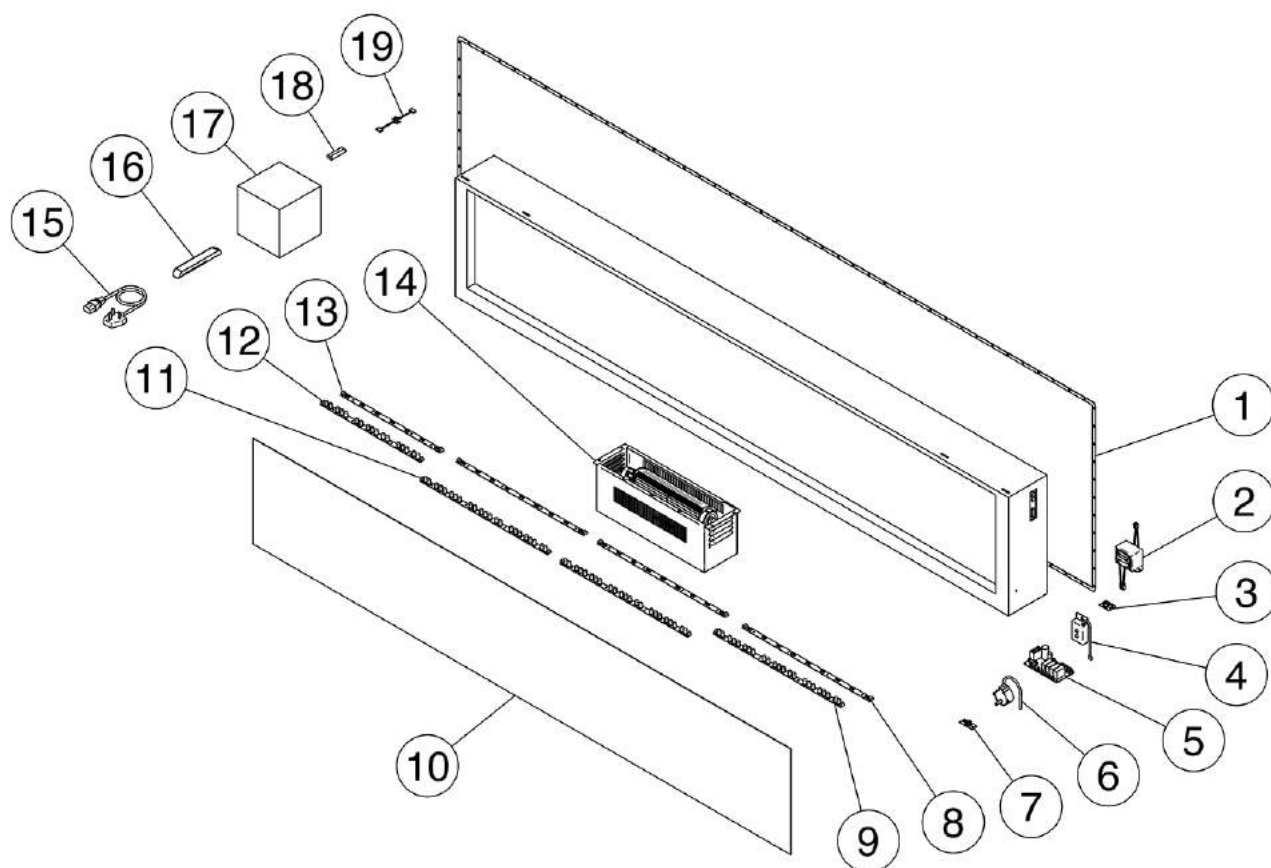
Wiring Diagram

All Models



The number of LED Boards varies depending on the model

Spare Parts List



No.	Component	Radiance 80W		Radiance 100W		Radiance 150W		Radiance 190W	
		Part Code	Quantity	Part Code	Quantity	Part Code	Quantity	Part Code	Quantity
1	LED - Back Light Strip	EL0625	1	EL0626	1	EL0627	1	EL0628	1
2	Transformer	EL0630	1	EL0630	1	EL0630	1	EL0630	1
3	IR Receiver PCB	EL0631	1	EL0631	1	EL0631	1	EL0631	1
4	Recessed Manual Control Box	EL0635	1	EL0635	1	EL0635	1	EL0635	1
5	Main PCB	EL0629	1	EL0629	1	EL0629	1	EL0629	1
6	Motor (with Connecting Plug)	EL0632	1	EL0632	1	EL0632	1	EL0632	1
7	Manual Control Board	EL0633	1	EL0633	1	EL0633	1	EL0633	1
8	Fuel Bed LED Board	-	-	-	-	-	-	EL0623	3
9	Effect LED Board	EL0639	1	EL0640	1	EL0640	1	EL0640	1
10	Main Front Screen (Effects Screen)	PL0166	1	PL0167	1	PL0168	1	PL0169	1
11	Effect LED Board	EL0620	1	EL0621	1	EL0621	2	EL0621	2
12	Effect LED Board	-	-	-	-	-	-	EL0620	1
13	Fuel Bed LED Board	EL0622	2	EL0623	2	EL0623	3	EL0622	1
14	Heater Unit (Fan, Element & Cables)	EL0624	1	EL0624	1	EL0624	1	EL0624	1
15	Power Cable (Straight Plug)	EL0550	1	EL0550	1	EL0550	1	EL0550	1
16	Remote Handset	EL0619	1	EL0619	1	EL0619	1	EL0619	1
17	Fuel Effect (White Stones & Clear Resin Stones)	CE1516	1	CE1516	1	CE1516	1	CE1516	1
18	Handset Battery	EL0062	2	EL0062	2	EL0062	2	EL0062	2
19	PCB to Frame Backlight LED Cable	EL0643	1	EL0644	1	EL0645	1	EL0646	1

Due to continual technical improvements please check online at www.gazcospares.com or with your Gazco retailer for the most up to date parts lists.

Gazco Limited, Osprey Road, Sowton Industrial Estate, Exeter, Devon, England EX2 7JG
Technical Customer Services (01392) 261950 Fax: (01392) 261951
E-mail: technicalservices@gazco.com

A member of the Stovax Group

E & O E