

# Radiance Electric Range

## Inset LED Fire



## Instructions for Use, Installation & Servicing

For use in GB & IE (Great Britain & Republic of Ireland).



### **IMPORTANT**

**THE HEATER OUTLET GRILLE BECOMES VERY HOT WHILST IN OPERATION.  
DO NOT COVER THE OUTLET GRILLE OR ANY PART OF THE APPLIANCE.**

For use with 230V 50Hz electricity supply only.

Please read these instructions carefully before installation and keep them in a safe place.

They will be needed when maintenance or servicing is required.

THIS APPLIANCE MUST BE EARTHED

# Contents

Covering the following models:

Radiance Inset 50R	Radiance Inset 85R	Radiance Inset 105R	Radiance Inset 135R	Radiance Inset 195R
219-089	219-148	219-164	219-170	219-188

## User Instructions.....3

- 1. Important Information & Health and Safety..... 3
- 2. Operating Instructions..... 3
- 3. Maintenance..... 8

## Installation Instructions.....10

- Technical Specifications..... 10
- Appliance Dimensions..... 10

## Installation..... 11

- 1. General..... 11
- 2. Fitting The Appliance..... 11
- 3. Studwork Installation..... 11

## Servicing .....14

- 1. Fault Finding..... 14
- 2. How to Wire a Plug..... 14
- 3. Servicing Requirements..... 15
- 4. Removing the Glass..... 15
- 5. Removing the Effects Screen..... 16
- 6. Removing the Fuel Bed..... 17
- 7. Replacing the LED Boards..... 17
- 8. Replacing the Effects Spindle..... 18
- 9. Replacing the Effects Motor..... 18
- 10. Replacing the Power Unit..... 19
- 11. Replacing the Heater Assembly..... 19
- 12. Pairing the Remote Control to the Appliance..... 20
- 13. Resetting the Remote Control to the Appliance..... 20

## Wiring Diagram.....21

## Spare Parts List.....22

## Information Requirement - Electric Heaters.....23



To receive your Extended Warranty your Gazco appliance must have been purchased from our Expert Retailer Network and registered within one month of purchase or installation. Please note that all warranties are effective from the date of purchase. Any Gazco product purchased outside of our Extended Retailer Network, or not registered within the stated time will carry a standard 12 month warranty.

Full terms and conditions are detailed in the Warranty Statement on the Gazco website [www.gazco.com](http://www.gazco.com). In the event of any conflict of information the wording on the website shall prevail.

Important Note: Should any problems be experienced with your product, claims must first be submitted to the Expert Retailer where the appliance was purchased from who will offer immediate assistance or contact Gazco on your behalf.




Registration No WEE/DH1656ZW  
In accordance with European Directive 2012/19/ EU, waste electrical and electronic equipment (WEEE) must not be disposed of with household waste.

At the end of its useful life please take this product to an appropriate recycling centre or collection point. You can find your nearest recycling centre by using the bank locator at [www.recycle-more.co.uk](http://www.recycle-more.co.uk) for UK customers, [www.weeeireland.ie](http://www.weeeireland.ie) for customers in the Republic of Ireland, or by contacting your local authority.

# User Instructions

## 1. Important Information and Health and Safety

- 1.1 **Read all of the instructions carefully before using the appliance.**
- 1.2 **Remove all packaging and dispose of at an appropriate recycling facility.**
- 1.3 Do not locate this appliance immediately below a fixed socket outlet.
- 1.4 Do not use this appliance in the immediate surroundings of a bath, shower, swimming pool or any other area where the appliance could come into contact with water or humidity, e.g. a bathroom.
- 1.5  **WARNING! DO NOT COVER**  
Do not allow the appliance to be covered or let the air inlet/outlet become obstructed as the appliance may overheat. Please note the warning symbol on the appliance (see above).
- 1.6 **For indoor use only.** This appliance is not suitable for use outside the house.
- 1.7 This appliance must be installed in a purpose built studwork enclosure. Ensure the appliance is level and that furniture, curtains etc. are positioned no closer than 1m.
- 1.8 Where the electricity supply cable has to pass through a fire place, stone surround etc. ensure suitable rubber bushes are fitted at possible wear points.
- 1.9 Keep the power cord away from hot surfaces and hot conditions. Do not route the power lead in front of the appliance.
- 1.10 When the fire has been installed the position of the plug must be accessible.
- 1.11 If the electricity supply cable is damaged do not use the appliance until it has been replaced. For safety reasons the replacement has to be carried out by a Gazco service agent or a similarly competent electrician.
- 1.12 **CAUTION:** In order to avoid a hazard due to inadvertent resetting of the thermal cut-out, this appliance must not be supplied through an external switching device, such as a timer, or connected to a circuit that is regularly switched on and off by the utility.
- 1.13 Do not operate the appliance if it is damaged.
- 1.14 Repairs of electrical appliances must only be performed by an electrical engineer. Should the appliance fail to operate, or in case of any damage, please contact the retailer from whom the appliance was purchased.

- 1.15 This appliance can be used by children aged from 8 years and above and persons with reduced physical, sensory or mental capabilities or lack of experience and knowledge if they have been given supervision or instruction concerning use of the appliance in a safe way and understand the hazards involved. Children of less than 3 years should be kept away unless continuously supervised.

Children aged from 3 years and less than 8 years shall only switch on/off the appliance provided that it has been placed or installed in its intended normal operating position and they have been given supervision or instruction concerning use of the appliance in a safe way and understand the hazards involved. Children aged from 3 years and less than 8 years shall not plug in, regulate and clean the appliance or perform maintenance.

**However Gazco recommend:**

**This appliance is not intended to be used by persons under the age of 12, persons with reduced physical, sensory or mental capabilities or persons with lack of experience and knowledge in the safe operation of the appliance.**

The appliance may be operated by persons above the age of 12 provided they have been instructed in the safe use of the appliance and that they understand the hazards involved. Persons above the age of 12 may also operate the appliance under the supervision of a responsible adult.

Parts of this appliance become hot whilst in operation and under no circumstances should persons under the age of 12 be left alone with the product when it is in operation unless a suitable fireguard is used to protect them against the possibility of coming into direct contact with the appliance.

Children shall not play with the appliance.

Cleaning and user maintenance shall not be made by children without supervision.

## 2. Operating Instructions



**WARNING! Do not operate the appliance if it is damaged or has malfunctioned. If you suspect the appliance is damaged or has malfunctioned call a qualified service engineer to inspect the appliance, and replace any part of the electrical system if necessary, before reuse.**

**Do not disconnect the power at the mains supply whilst the appliance is running. Use the functions on the remote to turn the fire off and ensure the mains switch has been moved to the off position before disconnecting.**

### GENERAL

- 2.1 The appliance can be operated by the radio frequency handset or the manual controls which are on the right hand side of the viewing window.

# User Instructions

**i** **NOTE:** To use both remote and manual functions the manual on/off switch must be in 'ON' position. In order to prevent the product becoming too hot, there is a 10s delay when turning on the heater and a 10s delay when turning off the heater fan.

The manual button controls basic functions, not a full range of controls. Use the remote hand set to carry out all functions.

## PREPARATION BEFORE USE

### Batteries:

- 2.2 Ensure that the handset batteries are new and inserted correctly.
- 2.3 Dispose of old batteries at an appropriate recycling facility.

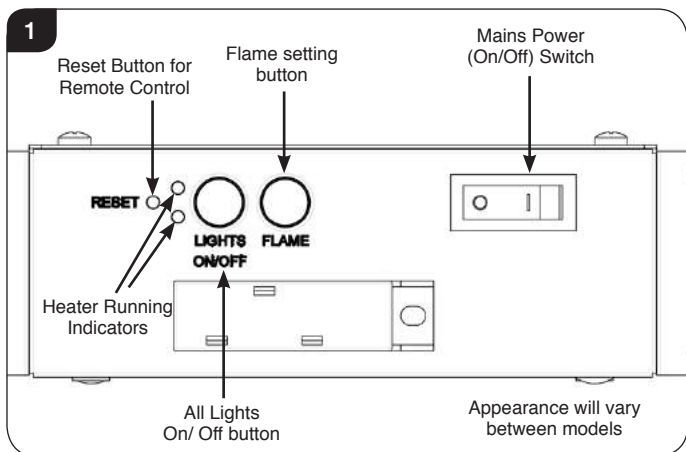
### LOCATION OF POWER SWITCH

- 2.4 The mains power switch is located on the control panel located on the right-hand side of the viewing window, see Section 2a.
- 2.5 Switch ON (—) before operating either the remote or manual controls.
- 2.6 A long beep is heard to indicate the fire is ready for use.

## 2a. Manual Control Panel

- 2a.1 The manual controls on appliance are located at the upper right of appliance.
- 2a.2 Turning on the appliance with the main power switch on '—' position. A long beep will be heard.
- 2a.3 Press "LIGHTS ON/OFF" to turn on or turn off both the flame and fuel bed at the same time.
- 2a.4 There are 3 flame colour options:

Press "FLAME" button to select the colour of flame or return to the OFF position.



**Note:** The appliance will lose the memory for the light functions when the switch is set to the Off Position or the remote runs out of power.

## Heater Running Indicators (see Diagram 1)

- 2a.5 When the fan heater is used in conjunction with the flame effect the heater running indicators will light up for 10 seconds.

The LEDs will illuminate for 10 seconds if the flame effect is On.

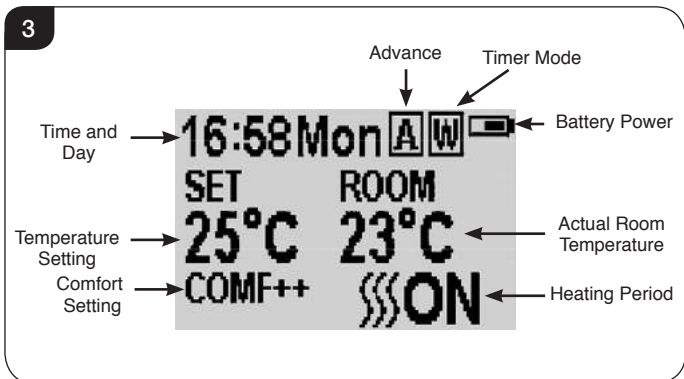
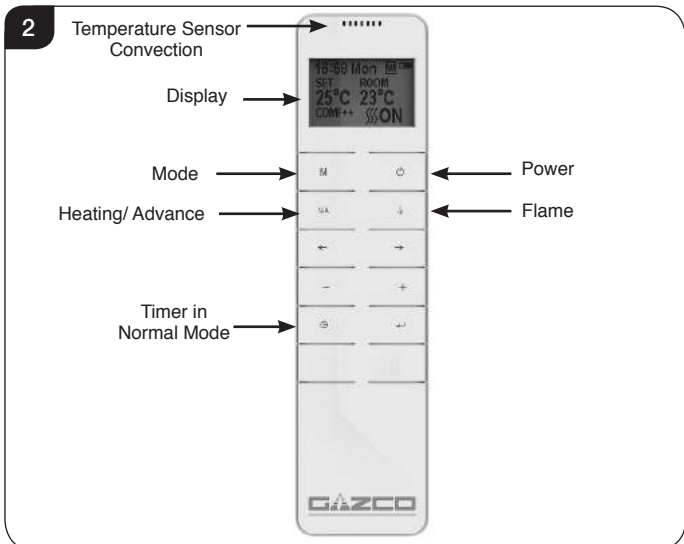
If the fan heater is used independently, the heater running indicators will stay on.

## Reset Button for Remote Control

- 2a.6 If the handset loses signal or needs to be replaced, see Section 12 in Servicing Section for details.

## 2b. Remote Controls

The remote control should be left on a flat surface in the room where the appliance is installed and away from any direct flow of hot air.






## Signal Code

- 2b.1 The remote control works by radio signal. The handheld transmitter is configured in the factory with a unique signal code.

**IMPORTANT:** If the handset loses signal or needs to be replaced, see Section 12 in Servicing Section for details.

# User Instructions

## Turn on/off


- 2b.2 Press  button to turn on the flame effect.
- 2b.3 Press  button to turn off all the functions under the normal heating control mode including flame effect and fan heater.
- 2b.4 Press  button to turn off the flame effect under daily and week timer heating mode.

## Week Days/ Time/ Comfort Temperature and Unit Setting

On activation it is recommended that the clock is reset to the correct time to ensure accuracy of the appliance operation.

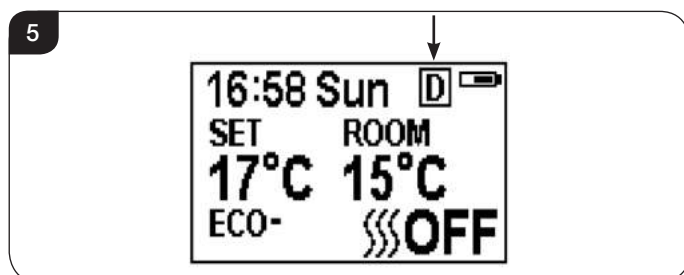
- 2b.5 Hold the **M** button for 3 seconds to enter the setting screen.
- 2b.6 Press the '←' or '→' button to choose setting to change.
- The selected character will be highlighted, see Diagram 4.




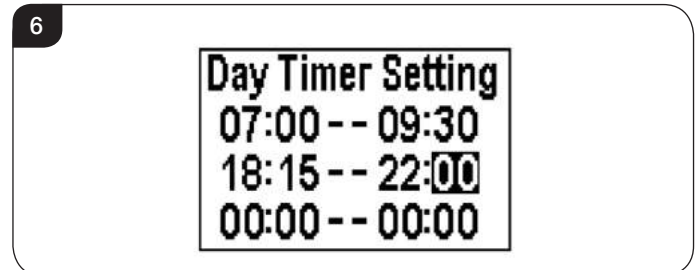
- 2b.7 Press the '+' or '-' button to adjust the number.
- Time: 24-hour system.  
Select Comfort temperature from 15-25°C.  
Temperature unit: °C/°F.
- 2b.8 Press the  button for 3 seconds or wait 10 seconds to save and exit the week, time and heating temperature setting.

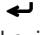
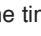
## Daily Timer Heating

- 2b.9 The following heating periods have been preset, these can be altered if desired:
- 06:00 until 08:00  
17:00 until 22:00
- 2b.10 Press **M** until **D** shows at the upper right corner of the screen to enter the daily timer heating mode.



- 2b.11 Hold the  button for 6 seconds to enter the daily heating setting.  
A maximum of 3 timed heating periods can be set per day.
- 2b.12 Press '←' or '→' to choose hour or minute.
- 2b.13 Press '+' or '-' to set the number.  
The minute increment / decrement by 15min per press.



- 2b.14 Hold the  button for 3 seconds or wait for 10 seconds to save and exit the heating time period setting.
- 2b.15 Check the timer setting. Press  to check the daily timer mode.
- 2b.16 If the heating needs to be turned off, it will be necessary to go back to the Normal Control Mode to turn off.

**When in Daily Timer Mode switching the appliance off with the remote will stop the light output. The heat output will continue according to the timer settings.**

## Adjusting the Set Temperature

- 2b.17 Press the '+' or '-' button to increase or decrease the temperature on the basis of COMF temperature.

COMF means the actual temperature is the same as setting.

ECO means the actual temperature is 2°C lower than the setting temperature.

ECO- means 4°C lower, COMF+ means 2°C higher.

COMF++ means 4°C higher.

## Adaptive start control

According to room temperature and set-pointed temperature, the heater will automatically determine the appropriate time to heat to ensure that it will reach the set-pointed temperature in the set time (up to 45 minutes prior to the set time).

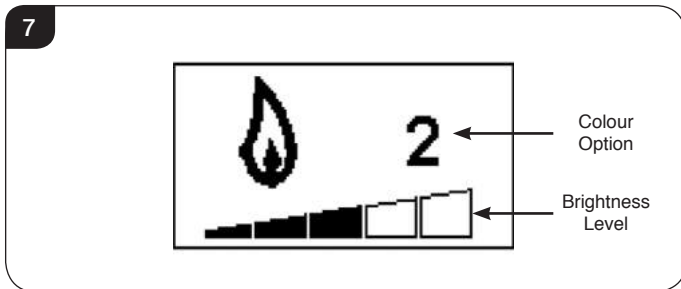
# User Instructions

## Flame Colour Adjustment

2b.18 Press  button to enter the flame adjustment screen.

There are 3 flame colour options, indicated by the number shown in Diagram 7.

There are 6 levels of brightness, including off. This is indicated by the bar, with the blank bar indicating off, see Diagram 7.



2b.19 Press the '←' or '→' button to cycle through the flame colour options.

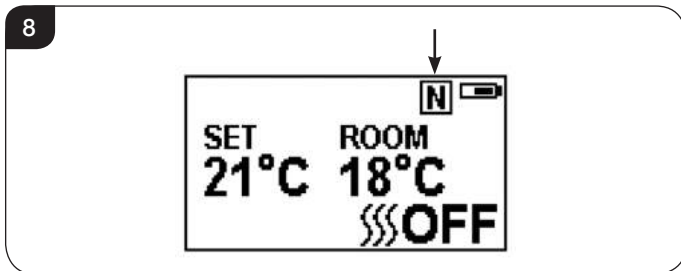
2b.20 Press the '+' button to increase the flame brightness.

Press the '-' button to decrease the flame brightness until off.

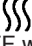
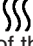

## Normal Control Mode

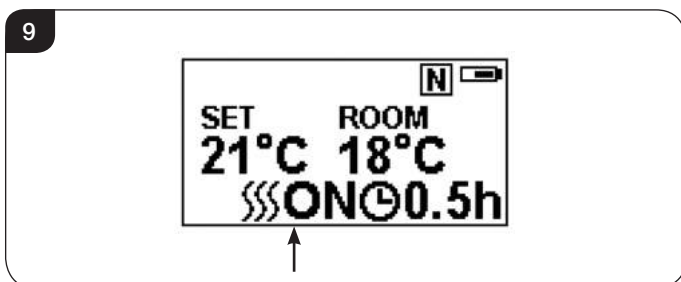
2b.21 Normal Control Mode is the default setting.

Alternatively press **M** button until the **N** logo is shown at the upper right corner of the screen, see Diagram 8.



2b.22 Press the '+' or '-' button to adjust the setting temperature from 17 °C to 25°C.

2b.23 Press  **A** button to turn the heat on/off,  ON or  OFF will show at the lower right corner of the screen, see Diagram 9.




Note: It is normal for the fan heater to stop running for periods of time. This happens if the room temperature is higher than the temperature set on the control.

The heater indicator will be turned off after 10s if the flame is switched ON. The heater indicator will stay ON if only the heating function is used.

**When in Normal Control Mode switching the appliance off with the remote will stop both the light and heat output.**

## Count Down Timer



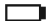
This setting is only in normal heating control mode. It allows the appliance to be returned to Standby after a set period of time. The heater must be switched on to use this function.

2b.24 Press  to cycle through the setting from Off and 0.5 hours to 9 hours. Timer logo and remaining time will show on the screen.

The heater of appliance can be automatically run by using daily timer and weekly timer on the remote.

## Battery

The battery power level is indicated at the top right of the remote control screen, see Diagram 3.

	Battery Full	No action required
	Battery Half Power	Ensure new batteries are available.
	Battery Empty	Replace batteries immediately

Battery replacement is recommended after 1 year. The Remote requires two 1.5V alkaline AAA batteries.

**Changing the batteries will not affect the Timer Mode settings, however, the clock may need adjusting.**

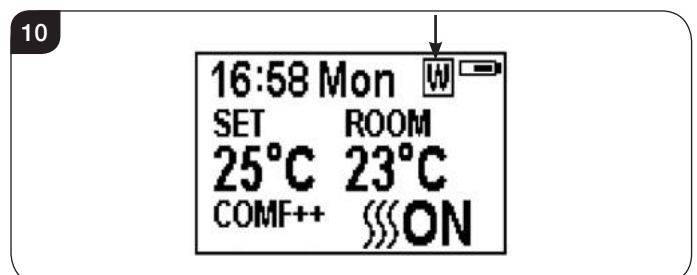
## Week Timer Heating

2b.25 The following heating periods have been preset, these can be altered if desired:

From Monday to Friday  
06:00 until 08:30  
17:00 until 22:00





From Saturday to Sunday  
06:30 until 09:30  
11:00 until 13:00  
17:00 until 22:00

2b.26 Press **M** until **W** shows at the upper right corner of the screen to enter the week heating mode.

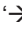




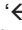
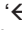
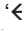




# User Instructions

- 2b.27 Hold the  button for 6 seconds to enter the week timer heating mode setting.
- 2b.28 Press '' or '' to move the cursor (a flashing underline).
- 2b.29 Press the  button in the corresponding week position to select (the character is highlighted) or cancel (the character is displayed normally) the current setting, the same time period can be selected together.



- 2b.30 Press the '' button to move the cursor to the time period setting area.
- 2b.31 Press '' or '' button to choose hour or minute.
- 2b.32 Press '+' or '-' to set the number.
- A maximum of 3 timed heating periods can be set per day.  
Minute increment / decrement by 15min per press.
- 2b.33 Press  to set the heating time for the selected day and return to the week line.
- 2b.34 Hold the  button for 3 seconds or wait for 10 seconds to save and exit the heating time period setting.
- 2b.35 Press  '' or '' to check the timer setting for the week timer heating mode.
- 2b.36 If the heating needs to be turned off, it will be necessary to go back to the Normal Control Mode to it turn off.

**When in Weekly Timer Mode switching the appliance off with the remote will stop the light output. The heat output will continue according to the timer settings.**

## Adjusting the Set Temperature

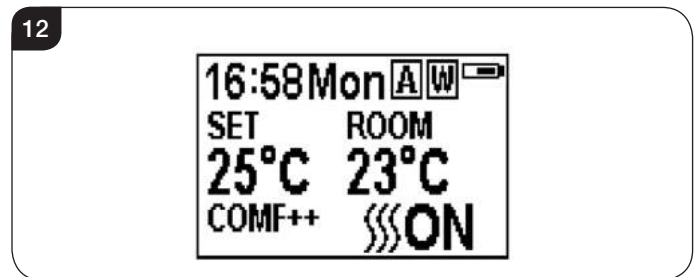
- 2b.37 Press the '+' or '-' button to increase or decrease the temperature on the basis of COMF temperature.
- COMF means the actual temperature is the same as setting.
- ECO means the actual temperature is 2°C lower than the setting temperature.
- ECO- means 4°C lower.
- COMF+ means 2°C higher.
- COMF++ means 4°C higher.

## Adaptive start control

According to room temperature and set-pointed temperature, the heater will automatically determine the appropriate time to heat to ensure that it will reach the set-pointed temperature in the set time (up to 45 minutes prior to the set time).

## Advance mode




- 2b.38 The heating state can be advanced to the next period is under both the daily and week timer heating mode.



If the heater is on in the current period, pressing the button will turn the heater off.

If the heater is off in the current period, pressing the button will turn the heater on.

Whether the actual heating will be on/off also depends on the room temperature and setting temperature.

- 2b.39 Press  to enter the Advance mode under the daily and week timer heating mode,  will show at the upper right corner of the screen.
- 2b.40 Press  again or timer period ends will exit the Advance mode.

## Window open detecting

- 2b.41 When the transmitter detects a rapid drop in room temperature, it will be judged as an open window: the warning icon will be displayed and the heating will be turned off automatically.



- 2b.42 After indoor temperature rise or manual intervention (by operating remote control), it will return to normal working state.

# User Instructions

## 3. Maintenance

- 3.1 **ALWAYS UNPLUG FROM MAINS SUPPLY BEFORE CLEANING OR UNDERTAKING ANY MAINTENANCE.**

### GENERAL CLEANING

- 3.2 Only clean the outer casing when it is cold. Do not use abrasive cleaners.

### CLEANING FRONTS

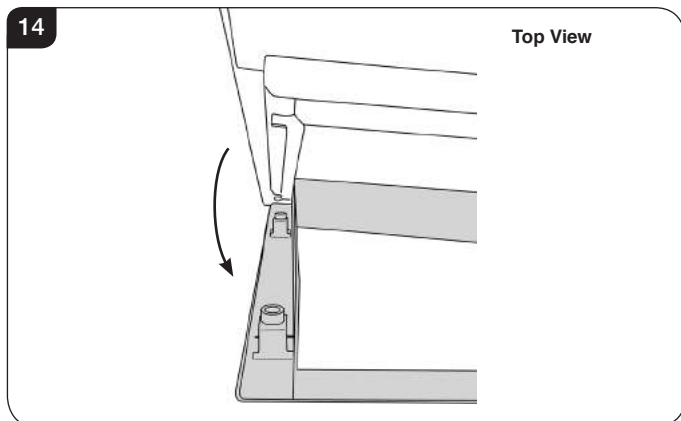
- 3.3 Wipe the glass viewing panel with a damp cloth and buff with a lint free duster.

**Caution: Do not use abrasive cleaners on the glass panel. Do not spray liquids directly onto any surface of the unit.**

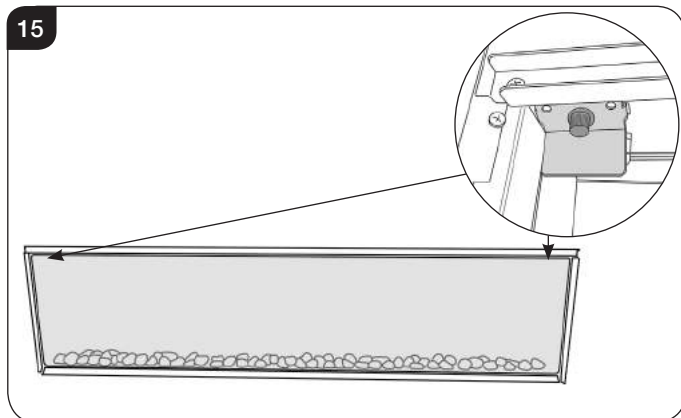
### CLEANING THE FUEL EFFECT

To access the fuel effect it will be necessary to remove the glass viewing panel.

- 3.4 Ensure the appliance is unplugged.  
3.5 First remove the decorative trim. The trim is held on by magnets. Pull gently forward to remove, see Diagram 14.

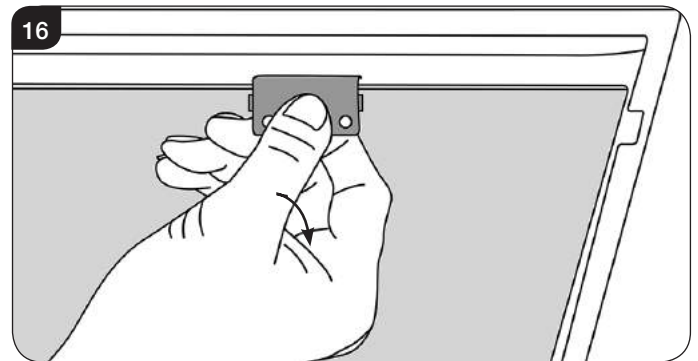


- 3.6 There is a clamp at the top of each corner of the glass viewing panel that secure the glass in place, see Diagram 15.



- 3.7 Supporting the glass, loosen and remove the 2 clamps. These can be unscrewed using just finger tips.

- 3.8 Carefully tip the glass forward and lift out of the lower tray to remove from the appliance, see Diagram 16. The clamp can be used to aid removal.



The fuel effect can now be accessed.

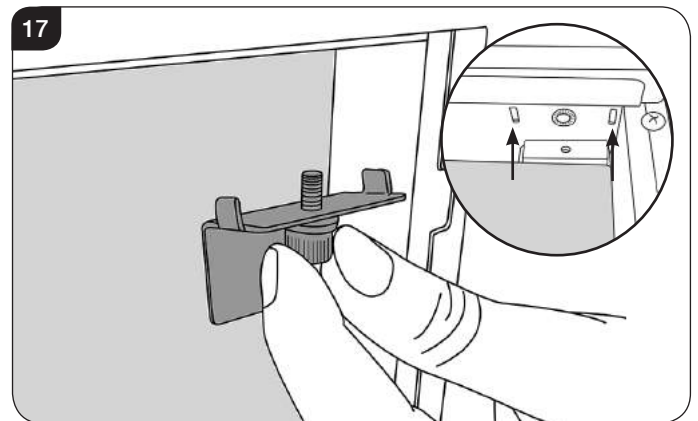
- 3.9 Remove and wash the fuel effect to remove any dust particles. Alternatively clean with a lint free duster. **Ensure that the effect is dry before replacing.**

Note: When replacing the fuel effect ensure that it is evenly spread across the fuel bed.

Stone Effect only: Randomly space the clear effect throughout the fuel bed.

- 3.10 Replace the glass following the instructions in reverse order.

When replacing the clamps ensure that the tabs on the clamps locate in the slots on the appliance, see Diagram 17.



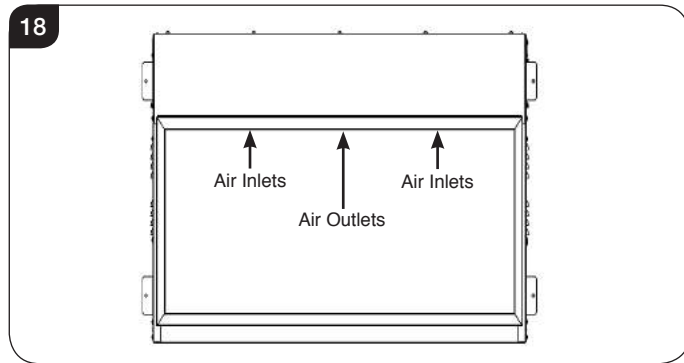
- 3.11 Replace the decorative trim.



# User Instructions

## CLEANING AIR INLETS

- 3.12 Ensure the appliance is unplugged.
- 3.13 Clean the air inlet and outlet grilles regularly with a soft cloth or the nozzle of a vacuum cleaner.



**Dust build-up can inhibit efficient performance of the fan and lead to the safety cut-out operating.**

- 3.14 Keep the area around the appliance clean and free of fluff, dust or pet hair.
- 3.15 In particular, build-up of dust etc. can occur around the heater area. Take particular care to keep this area free from such particles on a regular basis to prevent build-up.

## BATTERY REPLACEMENT

- 3.16 When the remote battery is low it must be changed immediately. Install correct replacement and dispose of the old battery carefully at an appropriate recycling facility.

# Installation Instructions

## Technical Specification

These instructions cover the following models:

Radiance Inset 50R	Radiance Inset 85R	Radiance Inset 105R	Radiance Inset 135R	Radiance Inset 195R
219-089	219-148	219-164	219-170	219-188

A 230V 13 Amp 50Hz supply is required

Maximum power consumption:

Radiance 50R: 2000 Watts

Radiance 85R: 2000 Watts

Radiance 105R: 2000 Watts

Radiance 135R: 2000 Watts

Radiance 195R: 2000 Watts

**THIS APPLIANCE MUST BE EARTHED**

A 1.8 metre lead with plug containing a BS1362 13A fuse is supplied. Only use a BS1362 13A fuse with this appliance.

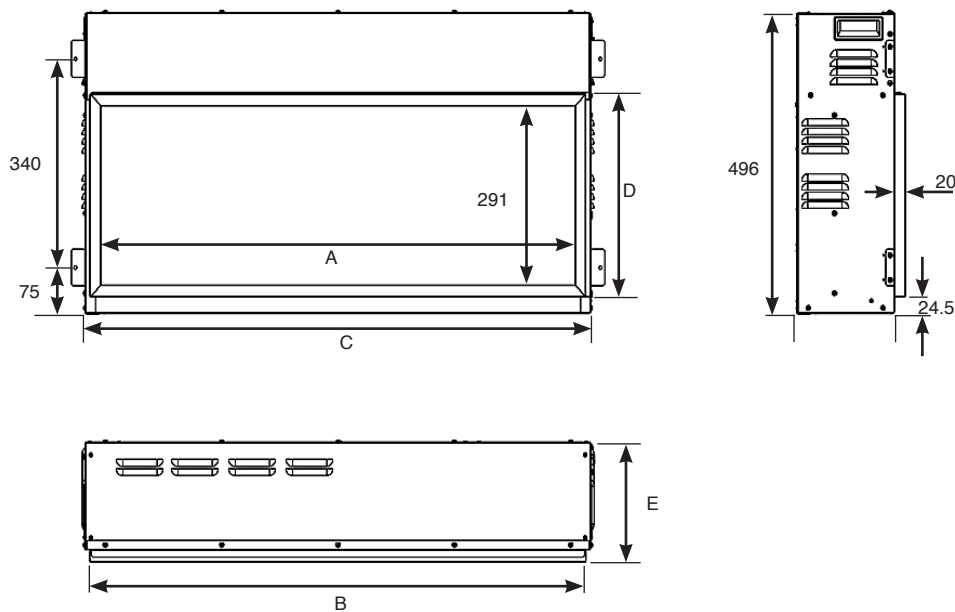
2 x Remote control handset battery (AAA)

### PACKING CHECKLIST

Appliance Description	Fixing Kit containing:
<b>Radiance 50R</b>	1 x Instruction Manual
<b>Radiance 85R</b>	1 x Remote Control
<b>Radiance 105R</b>	2 x AAA Batteries
<b>Radiance 135R</b>	4 x Fixing Brackets
<b>Radiance 195R</b>	10 x Screws ST4x8
	4 x Screws ST4x12
	1 x Plug Bracket
	1 x Power Cable
<b>Radiance 50R</b>	1 x Bag White Stones
<b>Radiance 85R</b>	1 x Bag Clear Resin Stones
<b>Radiance 105R</b>	
<b>Radiance 135R</b>	2 x Bag White Stones
<b>Radiance 195R</b>	2 x Bag Clear Resin Stones

### Control System Technical Data - All Models

	Main Control Board	Remote Receiver Board	Remote Control
<b>Hardware</b>	RC01-040A04 V2	RF290B V1.2	RF290A-TX V1.3
<b>Software</b>	RC01-040A04 V2	-	RF290C V06.0.HEX
<b>Frequency</b>	-	-	ASK/OOK 433.92MHz
<b>Maximum Transmit Power</b>	-	-	10mW



Model	A	B	C	D	E
<b>Radiance Inset 50R</b>	505	551	562	336	208
<b>Radiance Inset 85R</b>	855	901	912	336	196
<b>Radiance Inset 105R</b>	1055	1101	1112	336	196
<b>Radiance Inset 135R</b>	1355	1401	1412	336	196
<b>Radiance Inset 195R</b>	1955	2001	2012	336	196

# Installation Instructions

## 1. General

### 1.1 TOOLS REQUIRED

A Screwdriver, Spirit Level, Saw and Drill will be needed.

### 1.2 UNPACKING THE FIREPLACE

**WARNING! DO NOT use this appliance if any part has been exposed to water.**

Immediately call a qualified service technician to inspect and to replace any part of the electrical system if necessary.

- 1.3 Open the packaging carefully and remove the polystyrene. Remove and discard the plastic bag. Keep plastic wrapping away from children. Be responsible when handling the packing materials.

- 1.4 Check all parts and accessories are removed before disposing of any packaging. If necessary keep the original packaging for future transport and/or storage.

- 1.5 Test the appliance before installation.

## 2. Fitting the Appliance

### 2.1 Locating the Radiance

Your new Radiance may be installed virtually anywhere in your home. However, when choosing a location ensure that the general instructions are followed.

**The heater should ideally be fitted into/onto an internal flat wall constructed from either studwork and plasterboard block/brick. The fixings provided are for use on brick walls ONLY. Please ensure that suitable fixings are used when securing to any hollow or purpose built cavity.**

**NOTE:** Should the appliance be fitted backing on to an outside wall, into a Cavity Wall, open chimney or opening that may be subject to damp and draft, it is necessary that adequate precautions are taken to avoid the appliance coming into contact with moisture or excessive drafts. In such installations, any existing chimney and/or external air vents should be fully sealed.

**i** If it is intended to install the appliance into a sealed enclosure, it will be necessary to provide ventilation to the appliance outer casing with a free area of not less than 52.5cm<sup>2</sup>.

- 2.2 For best results, install out of direct sunlight.
- 2.3 **The appliance should be installed in a purpose built studwork enclosure. Please ensure that suitable fixings are used when securing to any hollow or cavity walls.**
- 2.4 **Make sure there are no pipes or cables behind the area to be drilled or cut.**
- 2.5 Always ensure the appliance is adequately supported and sits on a firm structure when mounting above floor level.

- 2.6 The appliance should ideally be located close to a suitable mains socket to enable connection. An extension could be run from an existing socket outlet but this must be carried out by a suitably qualified electrical engineer. The electrical socket must be easily accessible to allow disconnection when the appliance is fitted.
- 2.7 If the power cord is damaged, it must be repaired by the manufacturer, its authorised service centre or professional person.
- 2.8 Ensure that curtains and furniture are not positioned close to the chosen position, as this would create a potential fire hazard or block the heater outlet ducts.

**WARNING! KEEP ALL COMBUSTIBLE MATERIALS AT LEAST 1M FROM THE FRONT AND SIDES OF THE ELECTRIC FIREPLACE.**

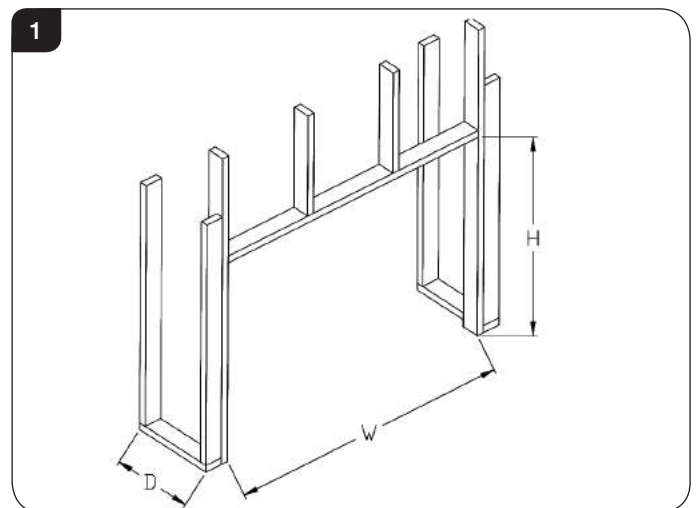
## 3. Studwork Installation

**THERE ARE INSTRUCTIONS FOR AN INSTALLATION WHERE THE RADIANCE SITS FLUSH TO THE FINISHED 'EDGE' OF THE WALL.**

- 3.1 Build the studwork chimney breast and enclosures to the desired size, see Diagram 1 and table.

It is essential to include a header at the required height to ensure the appliance does not support the weight of the finished wall.

It is important to allow for the finished face when setting the depth of the frame.

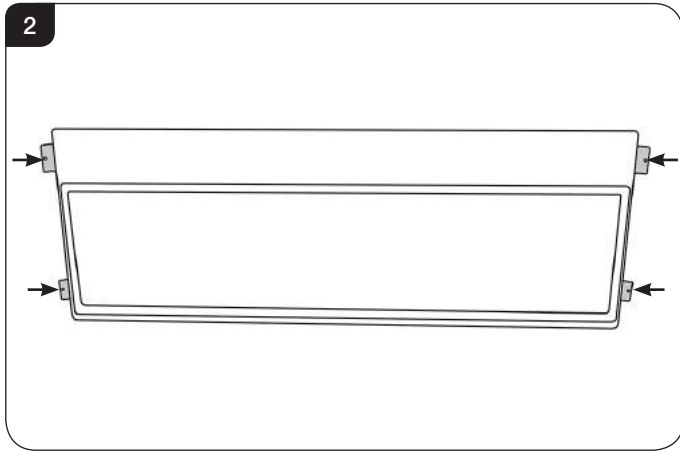


Model	W	D	H
Radiance 50R	578	192	500
Radiance 85R	928	180	500
Radiance 105R	1128	180	500
Radiance 135R	1428	180	500
Radiance 195R	2028	180	500

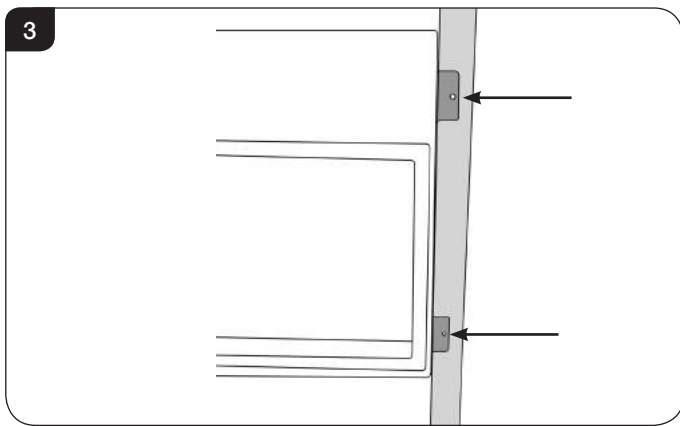
- 3.2 If a hearth system or raised hearth is to be installed, the unit **MUST** be raised to provide service access and use of front.

# Installation Instructions

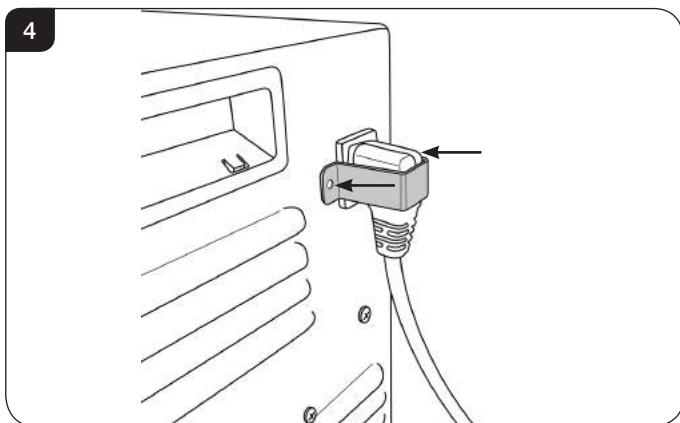
- 3.3 Attach the 4 fixing brackets to the sides of the appliance, see Diagram 2.



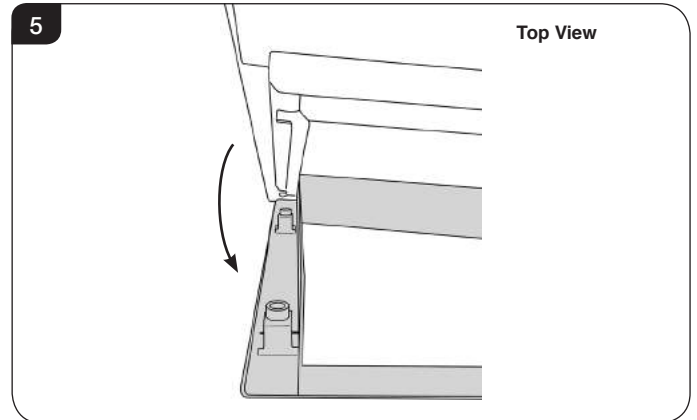
- 3.4 The fireplace can now be positioned in the opening. Level the appliance, and attach the unit to the frame using the fixing holes provided, see Diagram 3.



- 3.5 Connect the power cable to the appliance.
- 3.6 A securing bracket has been supplied. Place the bracket around the plug and secure with 2 screws, see Diagram 4.



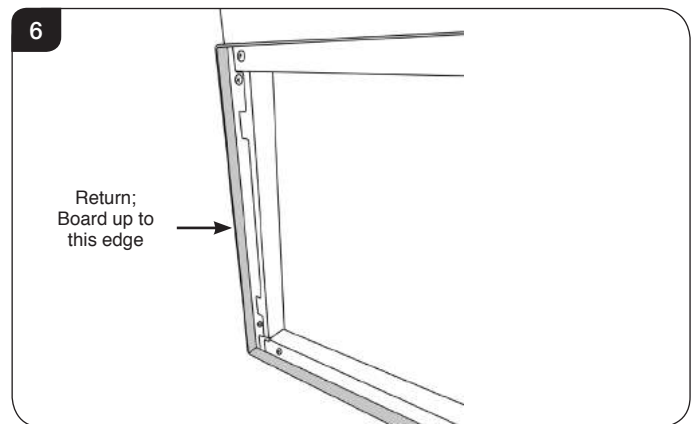
- 3.7 The decorative trim is held on by magnets. Pull gently forward to remove, see Diagram 5.



- 3.8 **Combustible or non-combustible building materials** may be used to finish up to the fireplace opening.

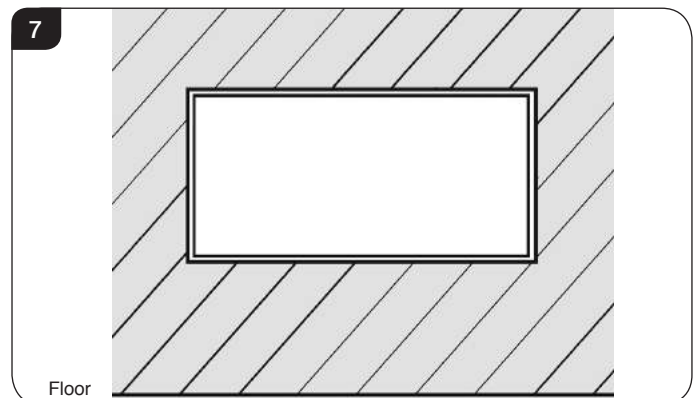
**DO NOT PACK THE VOID AROUND OR ABOVE THE APPLIANCE WITH INSULATION MATERIALS SUCH AS MINERAL WOOL.**

- 3.9 There is a return surrounding the decorative trim attached to the front of the appliance. This allows suitable boarding to be taken up to the edge and finished off with an even 5mm gap around of the decorative trim, see Diagram 6.



- 3.10 With the decorative trim removed, fit suitable 12mm thick boarding to the wall above, below and to the sides of the appliance.

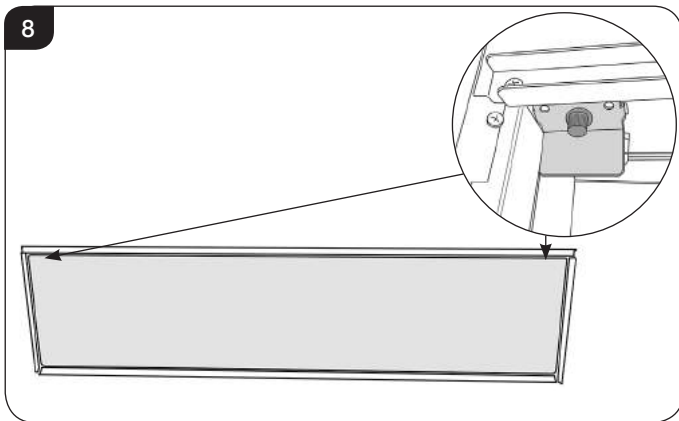
- 3.11 Finish the chimney breast as desired.



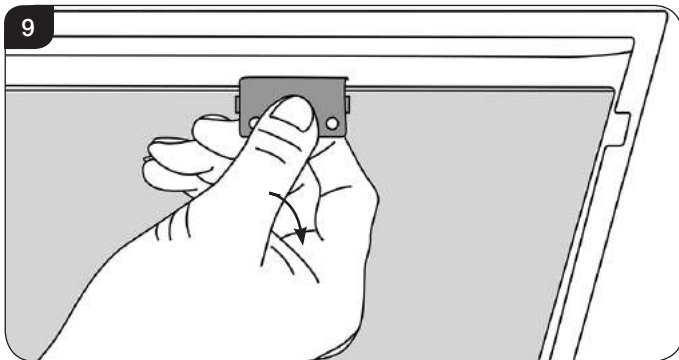
# Installation Instructions

## 4. Fitting Decorative Stones

- 4.1 To place the decorative stones it will be necessary to remove the glass viewing panel.
- 4.2 There is a clamp at the top of each corner of the glass viewing panel that secure the glass in place, see Diagram 8. **Take care to support the glass when removing clamps.**



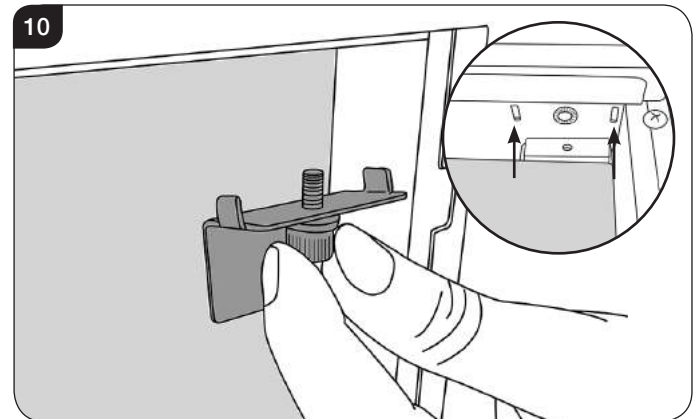
- 4.3 Supporting the glass, loosen and remove the 2 clamps. These can be unscrewed using just finger tips.
- 4.4 Carefully tip the glass forward and lift out of the lower tray to remove from the appliance, see Diagram 9. The clamp can be used to aid removal.



- 4.5 Evenly spread the decorative stones across the fuel bed.  
**Stone Effect only:** Randomly space the clear effect throughout the fuel bed. It is not necessary to use all of the effect supplied.

- 4.6 Replace the glass following the instructions in reverse order.

When replacing the clamps ensure that the tabs on the clamps locate in the slots on the appliance, see Diagram 10.



- 4.7 Replace the decorative trim to finish the installation.

# Servicing Instructions

## 1. Fault Finding

### No illumination or uneven lighting:

- 1.1 First change the BS1362 13A fuse for one known to work. If the appliance still does not work, check the socket by plugging in a working appliance. If this too fails to operate, call in a competent electrician to check the socket.
- 1.2 One or more of the LED boards will need replacing. This must be undertaken by a suitably qualified person (see *Servicing Requirements*).

### Illumination but no heat:

- 1.3 The safety cut-out has operated to protect against overheating (see *User Instructions, Section 2*). Ensure the air inlet and outlet grilles are free of dust or any other obstruction.
- 1.4 The thermostat control may be set too low. Increase the setting by pressing the thermostat button on the remote control until the heater turns on.

### Remote control fails to work:

- 1.5 Check that the batteries are new and correctly fitted. Replace if necessary.

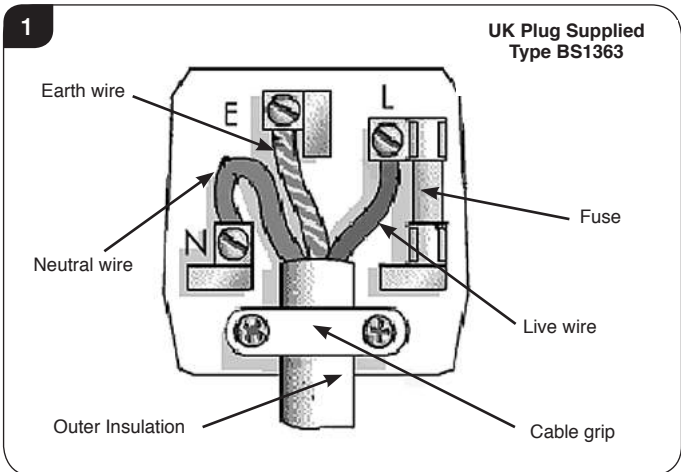
## 2. How to wire a plug


To change the plug supplied with this appliance, follow the instructions below. The instructions assume that the wire has been cut.

**i** **WARNING – FAILURE TO CONNECT THE WIRES CORRECTLY COULD PUT PEOPLE AT RISK FROM ELECTRIC SHOCK OR FIRE. IF IN DOUBT CONSULT A QUALIFIED ELECTRICIAN.**

### UK Plug

Suitable for use in Cyprus, Malta, Ireland & Great Britain.

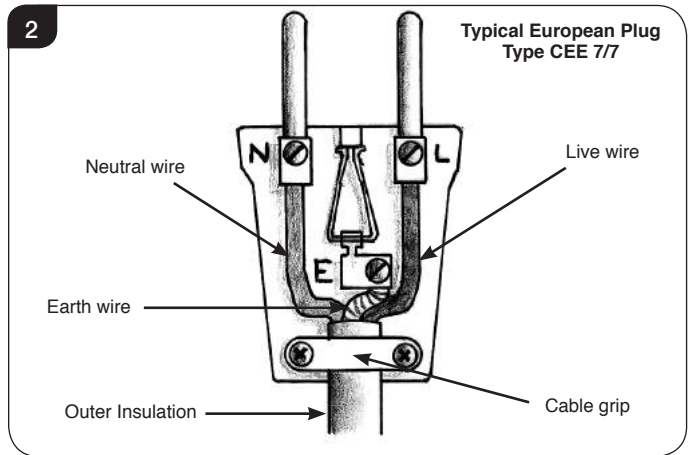


Live Wire	Brown	Terminal L / RED
Neutral Wire	Blue	Terminal N / BLACK
Earth Wire	Green & Yellow Stripes	Terminal E /  / GREEN or GREEN & YELLOW

### THIS APPLIANCE MUST BE EARTHED

### European Plug

Suitable for use in Austria, Belgium, Bulgaria, Czech Republic, Denmark, Estonia, Finland, France, Greece, Hungary, Germany, Italy, Latvia, Lithuania, Luxembourg, Netherlands, Poland, Portugal, Romania, Slovakia, Slovenia, Spain & Sweden.



- 2.1 Dispose of the old plug safely. Ensure the new plug has the relevant approval marking and is not cracked or chipped.
- 2.2 Expose 4cm of the coloured wires and trim to the correct lengths so that they comfortably reach the correct terminals.
- 2.3 Ensure that the Earth wire has more slack than any of the other wires.
- 2.4 Remove some of the insulation to leave about 6mm (screw terminals) to 12mm (winding around screw) of exposed metal core on each wire, taking care not to damage or remove the metal strands.
- 2.5 Twist the strands of the wire together.
- 2.6 Loosen the screw heads above each terminal.
- 2.7 Push the metal wire into the hole beneath each screw head or, dependent on plug design, wind the metal wire around the screw.
- 2.8 Ensure that the insulation reaches right up to each terminal as illustrated and there are no loose strands of wire.
- 2.9 Ensure the cable sits correctly under the cable grip and tighten to secure, taking care that the connecting wires inside the plug are not strained.
- 2.10 Refer to *Technical Specification* for fuse rating and fit the appropriate fuse into the plug (UK Only).
- 2.11 Attach the plug cover.



# Servicing Instructions

## 3. Servicing Requirements



**DURING SERVICING OF THIS APPLIANCE IT MAY BE NECESSARY TO CUT CABLE TIES IN ORDER TO ACCESS AND REMOVE SOME OF THE PARTS. THESE MUST BE REPLACED WHEN REASSEMBLING THE APPLIANCE.**

**THIS APPLIANCE MUST ONLY BE SERVICED BY A SUITABLY QUALIFIED PERSON.**

**BEFORE UNDERTAKING ANY WORK ON THE APPLIANCE: SWITCH OFF THE APPLIANCE AND ISOLATE THE POWER SUPPLY ENSURING THERE IS NO POWER TO THE APPLIANCE.**

3.1 Wait for at least 10 minutes until the appliance has cooled down.

### 3.2 Remote Handset Battery Replacement

Replace with 2 AAA batteries. Make sure the batteries are installed correctly in the remote control.

### 3.3 Maintenance of Motors

The motor used on the flame effect is pre-lubricated for extended bearing life and requires no further lubrication. However, periodic cleaning/vacuuming of the heater unit is recommended.

### 3.4 Resetting the Thermal Cutout Switch

The appliance is fitted with an Electronic Safety Control (E.S.). This is a safety device which switches off the fire if, the appliance overheats for any reason e.g. when covered.

If the heater stops operating whilst the flame effect continues normally, this indicates that the E.S. Control is in operation.

The E.S. Control can only be re-set after the appliance has cooled down.

To re-set the E.S.:

Switch off the appliance (Manual On/Off switch) and leave for approximately 120 minutes.

Remove any obstruction to the fan heater outlet or other internal parts.

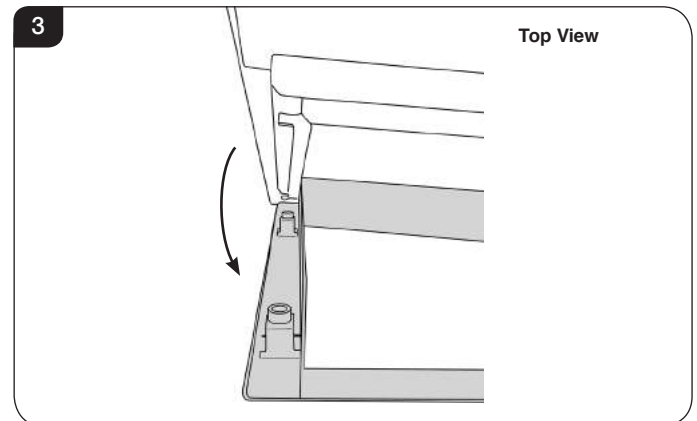
Switch on appliance and the E.S. Control will re-set. Ensure that the appliance is functioning correctly. If the E.S. Control operates again, the appliance should be checked by a competent Electrician.

## 4. Removing the Glass

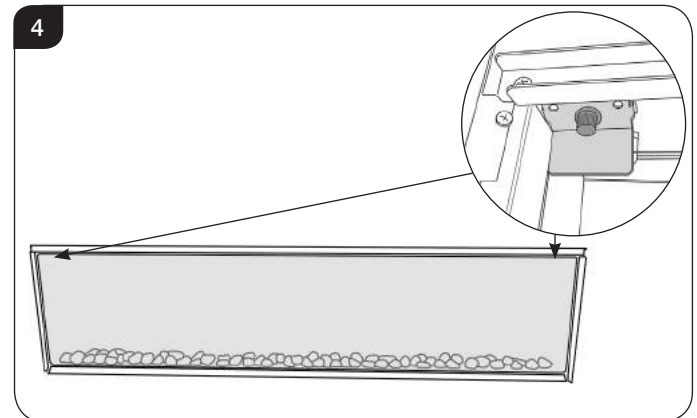
4.1 To access the internal working parts of the Radiance it will be necessary to remove the glass viewing panel.

4.2 Isolate the power supply and ensure there is no power to the appliance.

4.3 First remove the decorative trim. The trim is held on by magnets. Pull gently forward to remove, see Diagram 3.

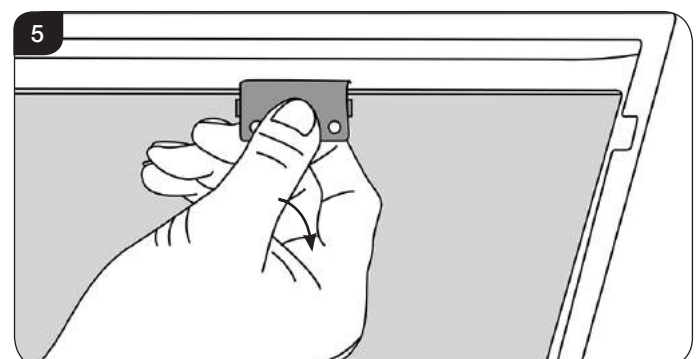


4.4 There is a clamp at the top of each corner of the glass viewing panel that secure the glass in place, see Diagram 4.



4.5 Supporting the glass, loosen and remove the 2 clamps. These can be unscrewed using just finger tips.

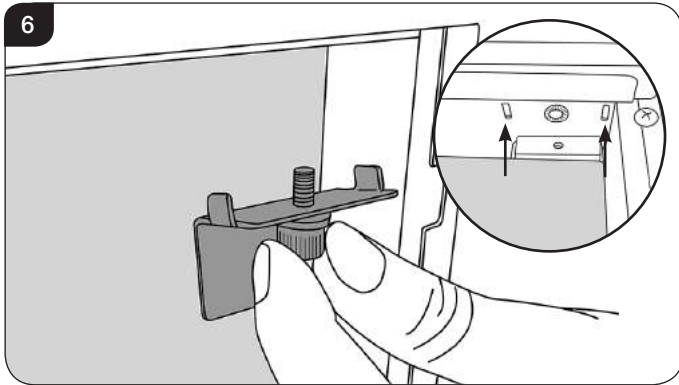
4.6 Carefully tip the glass forward and lift out of the lower tray to remove from the appliance, see Diagram 5. The clamp can be used to aid removal.



# Servicing Instructions

4.7 Replace the glass following the instructions in reverse order.

When replacing the clamps ensure that the tabs on the clamps locate in the slots on the appliance, see Diagram 6.



4.8 Replace the decorative trim.

## 5. Removing the Effects Screen

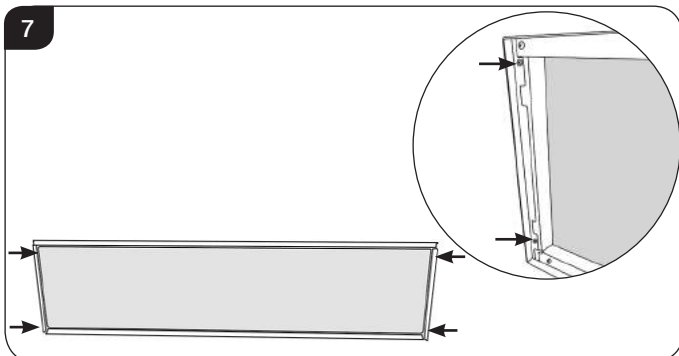
5.1 With the glass removed carefully gather up the fuel effect and place to one side.

Note: When replacing the fuel effect ensure that it is evenly spread across the fuel bed.

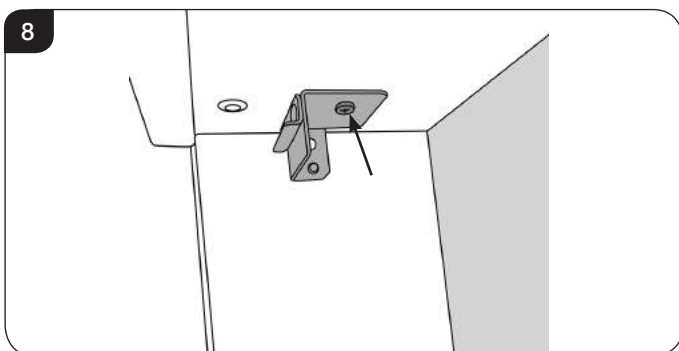
Stone Effect only: Randomly space the clear effect throughout the fuel bed.

5.2 To remove the Effects Screen it will be necessary to remove the 2 side brackets.

5.3 Remove the 4 screws from the front face of the appliance, see Diagram 7.

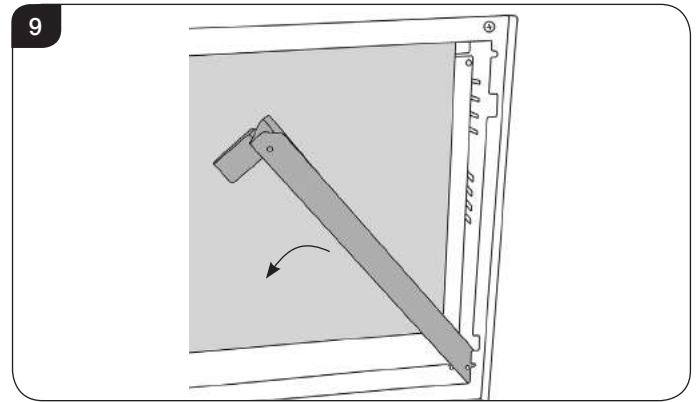


5.4 Remove the 2 screws securing the side brackets to the top of the viewing window, see Diagram 8.  
**Not applicable for 50R models.**

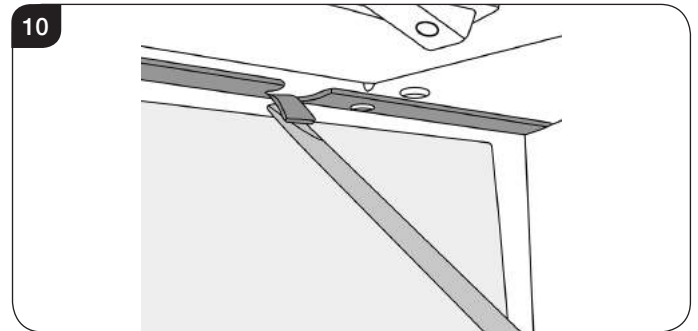


5.5 Carefully pull the side brackets down at an angle and pull forward to remove, see Diagram 9.

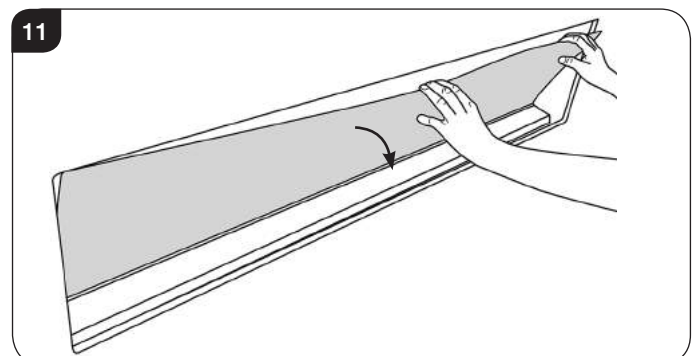
Note: Each bracket will only fit on one side.



5.6 Using a flat bladed screwdriver carefully bend the metal tabs at the top of the firebox holding the Effects Screen, see Diagram 10.



5.7 Pull the screen forward to release, see Diagram 11.  
NOTE: The screen is flexible to bend under the tabs.



5.8 Carefully set screen to one side to avoid damage.

5.9 Replace in reverse order, ensuring that the screen locates in the bottom channel and behind the top tabs.

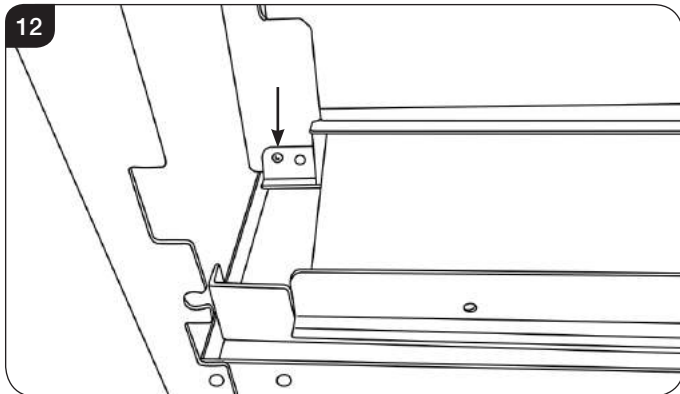
**IMPORTANT: When replacing the screen the side with the matt finish must face towards the front of the appliance.**

# Servicing Instructions

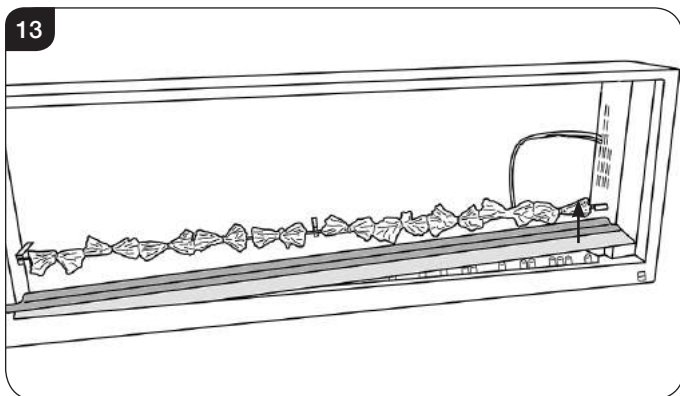
## 6. Removing the Fuel Bed

With the Glass and Effects screen removed it is possible to remove the fuel bed to access the interior of the appliance and the LED boards.

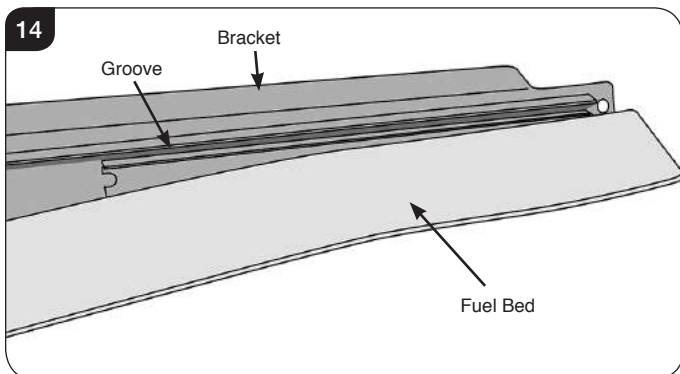
- 6.1 Remove the 2 screws from either side of the fuel bed bracket, see Diagram 12.



- 6.2 The bracket and the fuel bed can now be lifted out of the appliance, see Diagram 13.

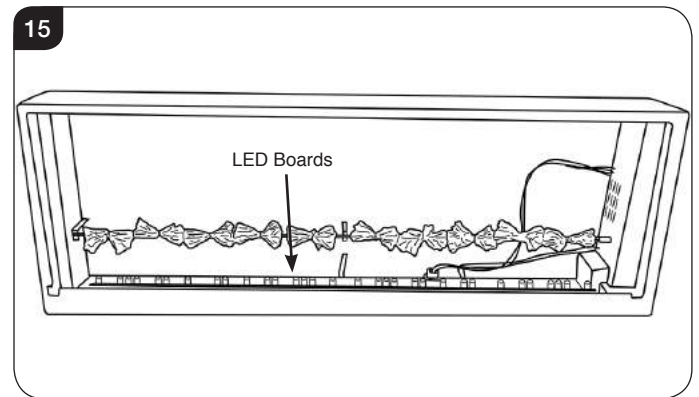


- 6.3 Replace in reverse order.  
NOTE: The flexible fuel bed locates in a groove in the bracket, see Diagram 14.

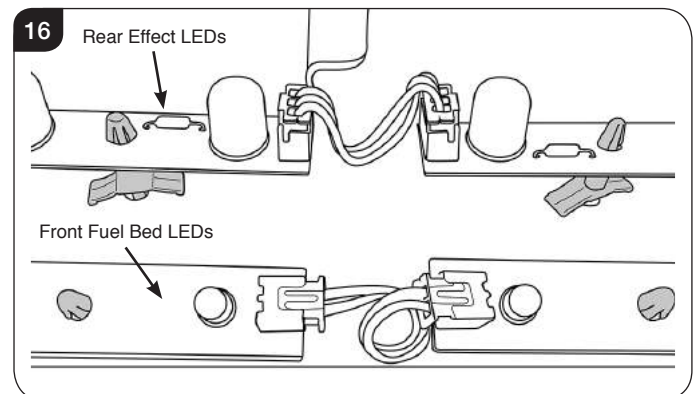


## 7. Replacing the LED Boards

- 7.1 Follow Sections 4, 5 & 6 to access to the LED boards.  
7.2 The LED boards are located at the bottom of the appliance, see Diagram 15.



- 7.3 The LED boards are coupled together at the end of each board and held in place by clips, see Diagram 16.

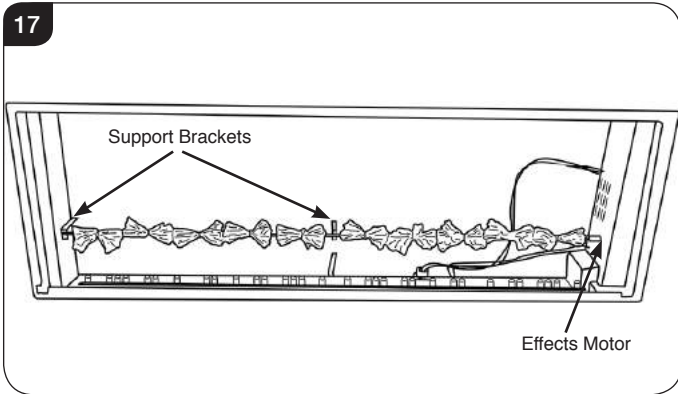


- 7.4 Unplug the correct LED board and use a pair of long nosed pliers to squeeze the clips and release.  
7.5 Fitting a new board is the reverse of this process.

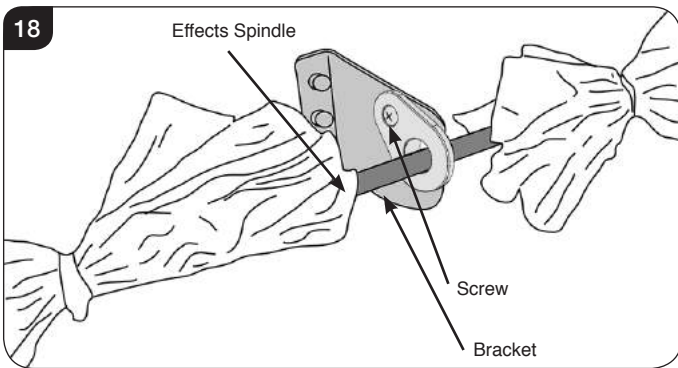
# Servicing Instructions

## 8. Replacing the Effects Spindle

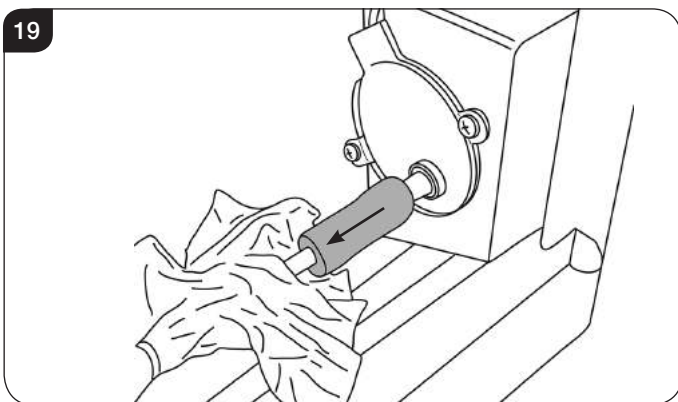
- 8.1 Follow Sections 4 & 5 to access the Effects Spindle.
- 8.2 The Effects Spindle is attached to the Effects Motor and supported in 2 additional places, see Diagram 17.



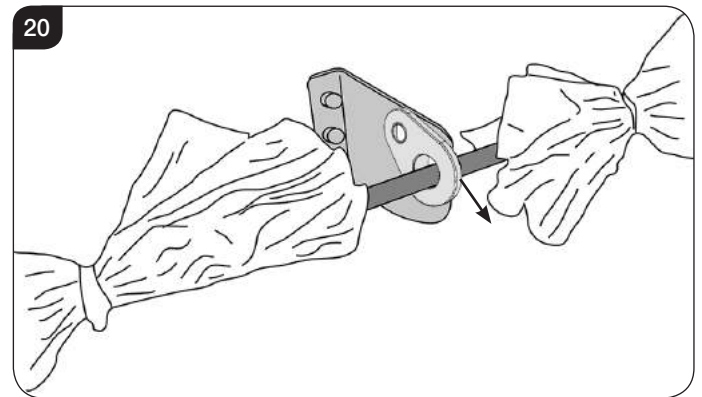
- 8.3 Remove the screw securing the Effects Spindle to the central bracket, see Diagram 18.



- 8.4 The Effects Spindle is attached to the Effects Motor by a rubber sleeve. Pull the rubber sleeve off the Effect Motor axle, see Diagram 19.



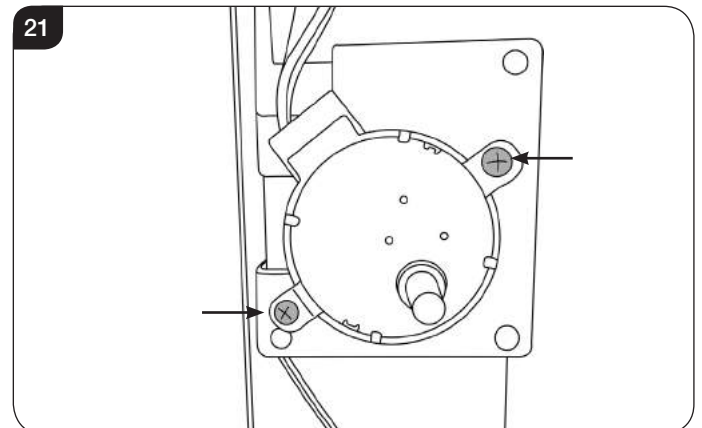
- 8.5 Gently withdraw the spindle from the support brackets at an angle, see Diagram 20.



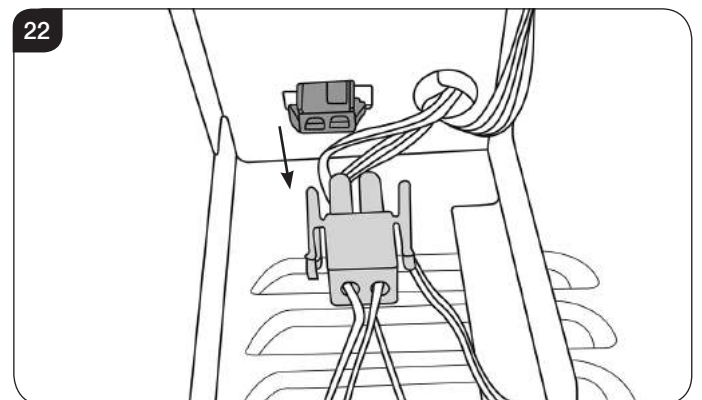
- 8.6 Replace in reverse order.

## 9. Replacing the Effects Motor

- 9.1 Follow Sections 4, 5 and 6 to access the Effects Motor.
- 9.2 Remove the 2 screws to release the motor unit, see Diagram 21.



- 9.3 Disconnect the motor unit from the Control Assembly by squeezing the clips on each side of the plug, see Diagram 22.

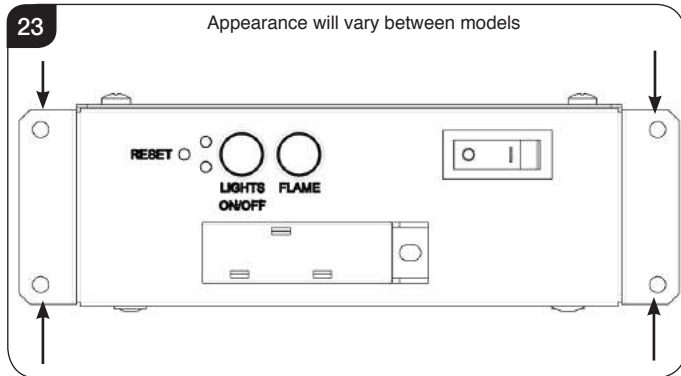


- 9.4 Replace in reverse order.

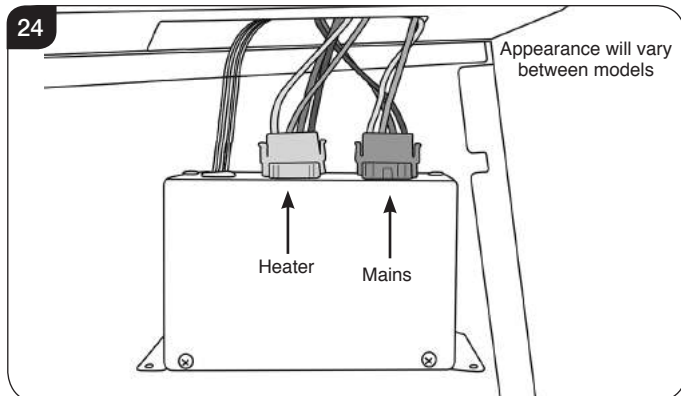
# Servicing Instructions

## 10. Replacing the Power Unit

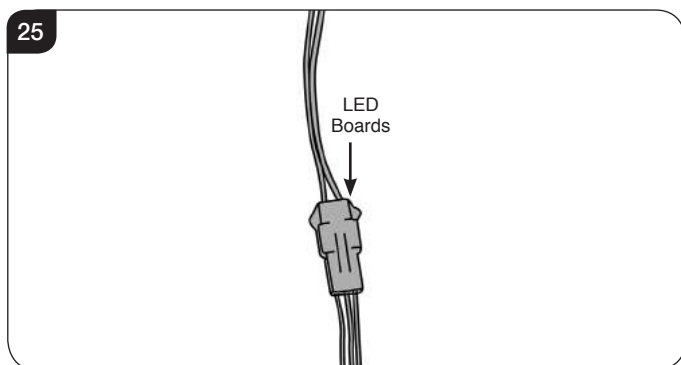
- 10.1 Follow Section 4 to remove the glass.
- 10.2 The Power Unit is held in place by 4 screws, see Diagram 23.



- 10.3 Support the Power Unit and remove the 4 screws.
- 10.4 The Power Unit is attached to the appliance by several cables and wiring looms, see Diagram 24.



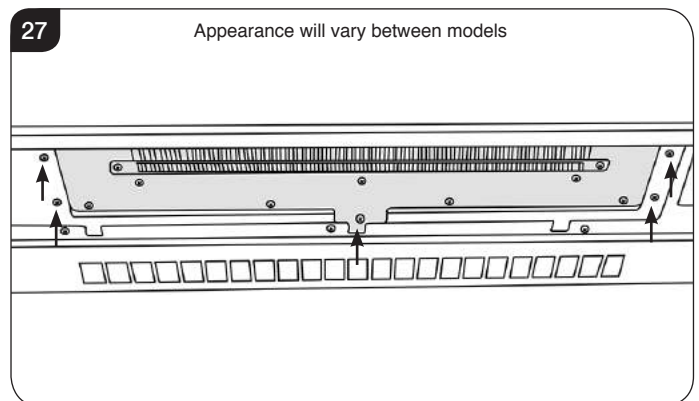
- 10.5 Unclip the 2 wiring looms by squeezing each side of the connectors.
- 10.6 Disconnect the LED controls to detach the Power Unit from the appliance, see Diagram 25.



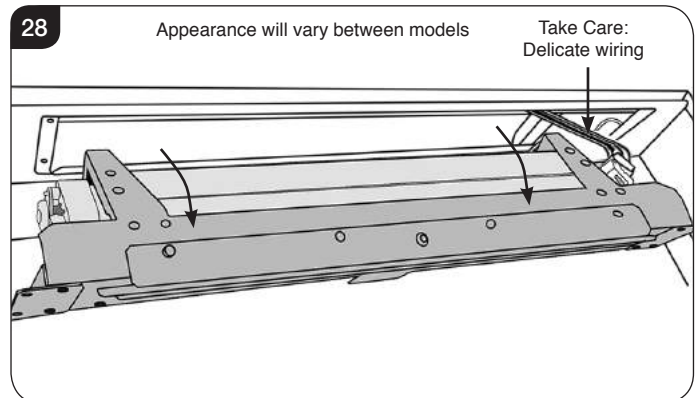
- 10.7 Replace in reverse order.

## 11. Replacing the Heater Assembly

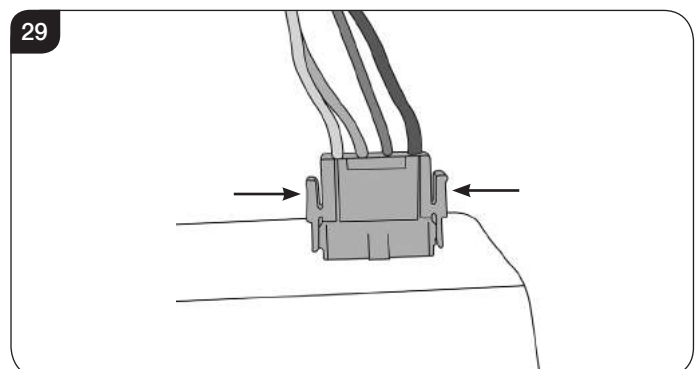
- 11.1 To access the Heater Assembly it will be necessary to remove the glass, see Section 4.
- 11.2 Remove the screw aligned with the centre of the heater in the front face of the appliance. The screw may be offset to the right on some models, see Diagram 26.
- 11.3 The Heater Assembly is now held in place by 5 screws at the top of the firebox. Supporting the Heater Assembly remove the screws, see Diagram 27.



- 11.4 Carefully lower the Heater Assembly. This will require a slight tipping motion to clear the edge, see Diagram 28.  
NOTE: The Heater Assembly has wires attached.



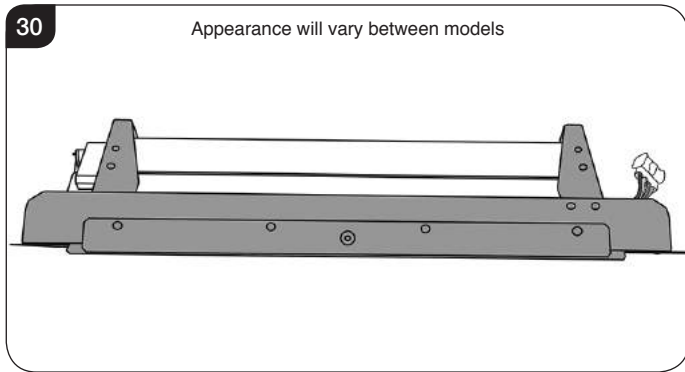
- 11.5 Disconnect the Heater Assembly from the appliance, by squeezing each side of the connector, see Diagram 29.





# Servicing Instructions

11.6 Replace the Heater Assembly, see Diagram 30.




## 12. Pairing the Remote Control to the Appliance

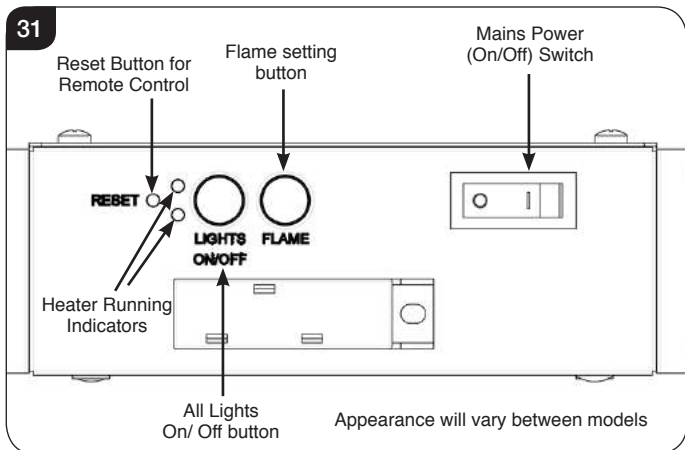
### Signal Code

The below operations should be carried out before coding when changing to a new remote or the unit cannot be controlled by the remote:

The reset button is located on the control panel located on the right-hand side of the viewing window, see Diagram 31.

12.1 Press the reset button for 3 seconds (a pen point may be needed) until 3 short beeps sound from the unit, release the button.

Within 10 seconds, press the  button on remote. The coding is finished when 1 long beep sounds from the unit.



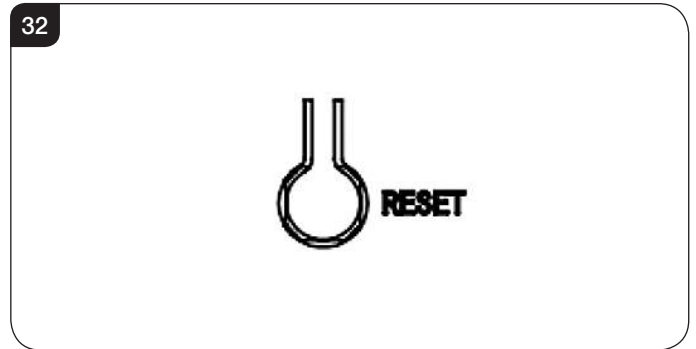
Resetting of the remote control is necessary if the appliance operates wrongly due to external interference signal and the remote control is not in use.

## 13. Resetting the Remote

Resetting the Remote may necessary if the appliance operates incorrectly under the signal from the Remote, or if the Remote does not operate correctly.

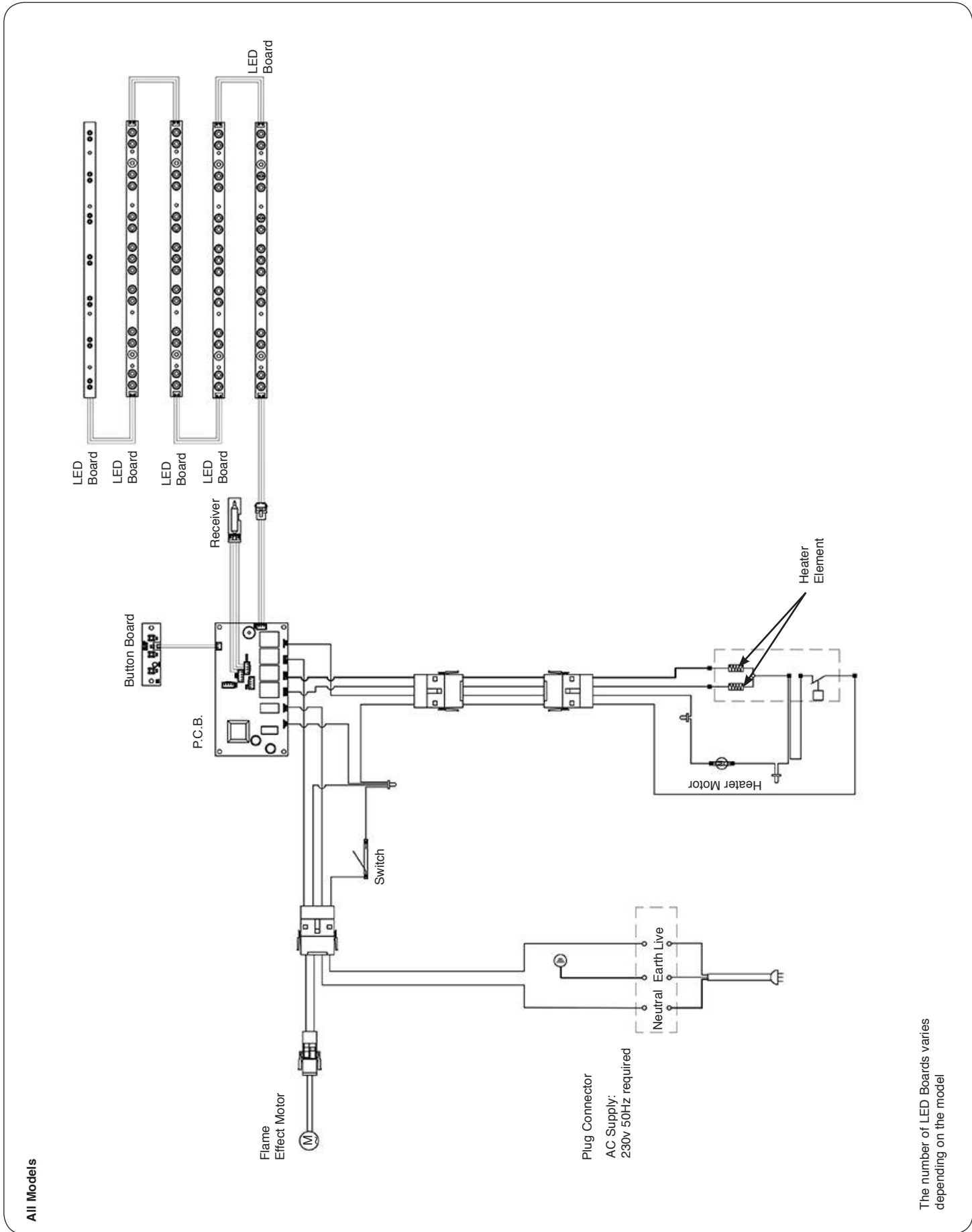
13.1 Open the back cover of the Remote.

13.2 Press the Reset button for 3 seconds and reset the coding, see Diagram 32.

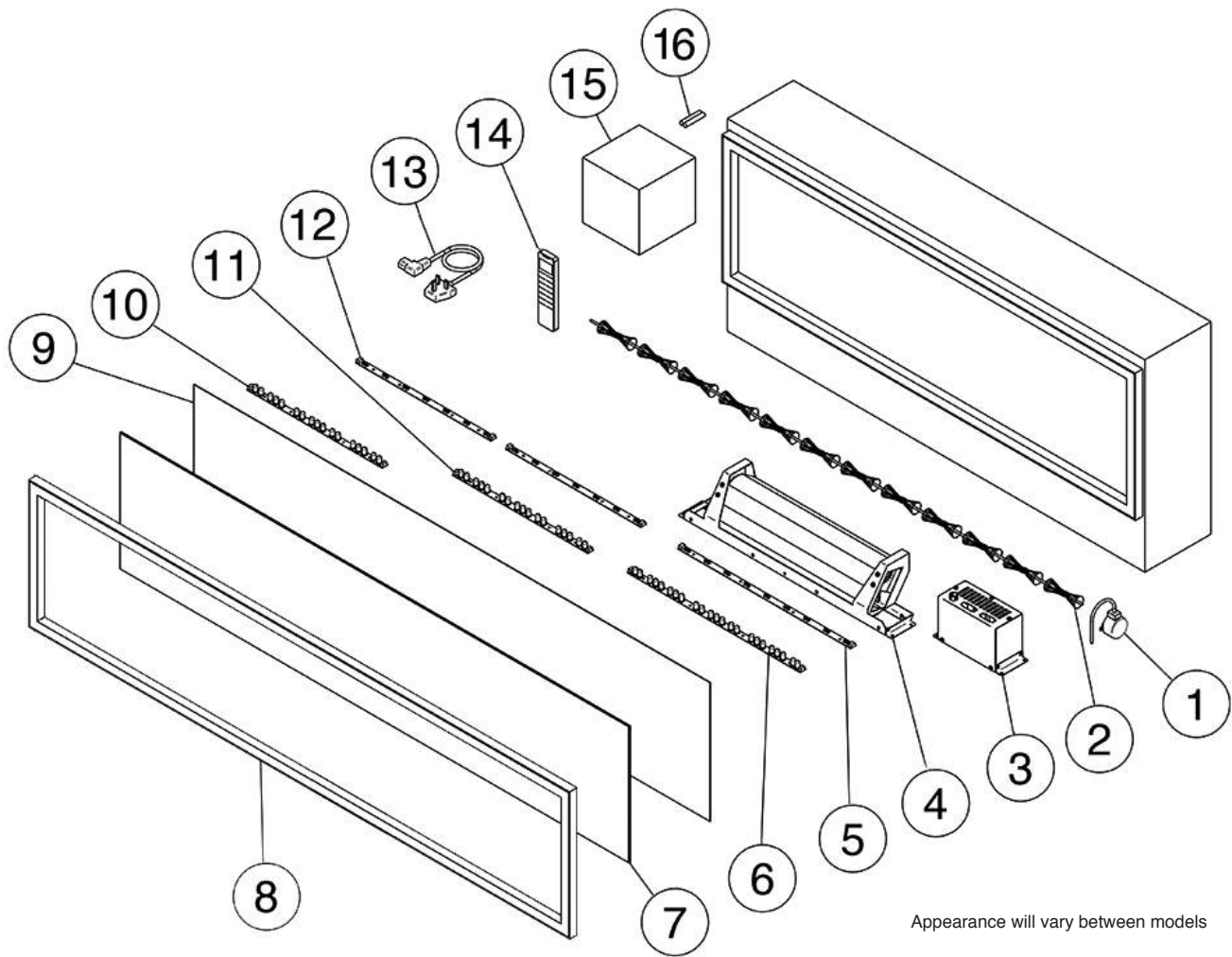




# Wiring Diagrams



# Spare Parts List



Appearance will vary between models

No.	Component	Radiance 50R		Radiance 85R		Radiance 105R		Radiance 135R		Radiance 195R	
		Part Code	Quantity	Part Code	Quantity	Part Code	Quantity	Part Code	Quantity	Part Code	Quantity
1	Motor With Connecting Plug	EL0632	1	EL0632	1	EL0632	1	EL0632	1	EL0632	1
2	Effect Spindle	PL0226	1	PL0174	1	PL0175	1	PL0176	1	PL0177	1
3	Power Unit (PCB & Manual Controls)	EL0784	1	EL0728	1	EL0728	1	EL0728	1	EL0728	1
4	Heater Unit (Fan, Element & Cables)	EL0785	1	EL0636	1	EL0636	1	EL0636	1	EL0636	1
5	Fuel Bed LED Board	EL0623	1	EL0622	2	EL0623	2	EL0623	1	EL0623	3
6	Effect LED Board	EL0621	1	EL0639	1	EL0640	1	EL0621	1	EL0621	3
7	Front Glass Panel	CE2041	1	CE1512	1	CE1513	1	CE1514	1	CE1515	1
8	Magnetic Front Trim	GZ15419	1	GZ14623	1	GZ14624	1	GZ14625	1	GZ14626	1
9	Main Front Screen (Effects Screen)	PL0228	1	PL0170	1	PL0171	1	PL0172	1	PL0173	1
10	Effect LED Board	-	-	EL0620	1	EL0621	1	EL0620	1	EL0620	1
11	Effect LED Board	-	-	-	-	-	-	EL0639	1	-	-
12	Fuel Bed LED Board	-	-	-	-	-	-	EL0622	2	EL0622	1
13	Power Cable (Right Angle Plug)	EL0552	1	EL0552	1	EL0552	1	EL0552	1	EL0552	1
14	Remote Handset D	EL0679	1	EL0679	1	EL0679	1	EL0679	1	EL0679	1
15	Fuel Effect (White Stones & Clear Resin Stones)	CE1516	1	CE1516	1	CE1516	1	CE1516	1	CE1516	1
16	Handset Battery	EL0062	2	EL0062	2	EL0062	2	EL0062	2	EL0062	2



Due to continual technical improvements please check online or with your Gazco retailer for the most up to date parts lists.

Only use Genuine Gazco spares when servicing your appliance.  
All of our essential spare parts and consumable items are available to purchase from our webshop at [www.gazcospares.com](http://www.gazcospares.com).

# Information Requirement - Electric Heaters

## Information Requirement for Electric Local Space Heaters

Model		Radiance Inset 50R	Radiance Inset 85R	Radiance Inset 105R	Radiance Inset 135R	Radiance Inset 195R
Heat Output	Nominal Heat Output - $P_{nom}$	2.0kW	2.0kW	2.0kW	2.0kW	2.0kW
	Minimum Heat Output - $P_{min}$	1.0kW	1.0kW	1.0kW	1.0kW	1.0kW
	Maximum Continuous Heat Output - $P_{max, c}$	2.0kW	2.0kW	2.0kW	2.0kW	2.0kW

Auxiliary Electricity Consumption	At Nominal Heat Output - $el_{max}$	12.5W	12.5W	12.5W	12.5W	12.5W
	At Minimum Heat Output - $el_{min}$	12.0W	12.0W	12.0W	12.0W	12.0W
	In Standby Mode - $el_{sb}$	0.49W	0.49W	0.49W	0.49W	0.49W

### Type of heat input, for electric storage local space heaters only

Manual heat charge control, with integrated thermostat	No	No	No	No	No
Manual heat charge control with room and/or outdoor temperature feedback	No	No	No	No	No
Electronic heat charge control with room and/or outdoor temperature feedback	No	No	No	No	No
Fan assisted heat output	No	No	No	No	No

### Type of heat output/room temperature control

Single stage heat output and no room temperature control	No	No	No	No	No
Two or more manual stages, no room temperature control	No	No	No	No	No
With mechanic thermostat room temperature control	No	No	No	No	No
With electronic room temperature control	No	No	No	No	No
Electronic room temperature control plus day timer	No	No	No	No	No
Electronic room temperature control plus week timer	Yes	Yes	Yes	Yes	Yes

### Other control options (multiple selections possible)

Room temperature control, with presence detection	No	No	No	No	No
Room temperature control, with open window detection	Yes	Yes	Yes	Yes	Yes
With distance control option	No	No	No	No	No
With adaptive start control	Yes	Yes	Yes	Yes	Yes
With working time limitation	No	No	No	No	No
With black bulb sensor	No	No	No	No	No

**Contact:** Gazco Ltd, Osprey Road, Sowton Industrial Estate, Exeter, EX2 7JG

**Gazco Limited, Osprey Road, Sowton Industrial Estate, Exeter, Devon, England EX2 7JG**  
**Technical Customer Services (01392) 261950 Fax: (01392) 261951**  
**E-mail: [technicalservices@gazco.com](mailto:technicalservices@gazco.com)**

A member of the Stovax Group

E & O E