
Camargue

Wood stove

NF EN 13240

Model : 134 10 15

Output : 10 kW



Description of the appliance

Installation instructions

Operating instructions

Spare parts

Warranty certificate

Document n°1141-2-17/11/03

FR

NL

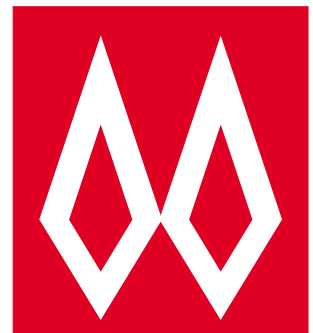
EN

Technical manual

to be saved

by the user

for future reference



FRANCO BELGE

STAUB FONDERIE

Head Office Address

2, rue Saint Gilles
68230 TURCKHEIM
RC Colmar
SIREN 439 330 325

**Address - Administration and
manufacturing**

BP 73
59660 MERVILLE (FRANCE)
Telephone : 00 333 28 43 43 43
Fax : 00 333 28 43 43 99

Subject to modifications.

FRANCO BELGE congratulates you on your choice.

FRANCO BELGE, which has been granted the ISO 9001 certification, guarantees the quality of its appliances and is committed to meet its customers' needs.

FRANCO BELGE, which can boast a 75-year experience in the industry of heating devices, uses state-of-the-art technologies to design and manufacture its whole range of products.

This document contains instructions on how to install your appliance and make full use of its functions, both for your comfort and safety.

Contents

Description of the unit.	3
Package	3
Specifications	3
Appliance description.	3
Operating principle	3
<hr/>	
Installation instructions	4
Warning to the user.	4
Location of the unit	4
Chimney	5
Mounting the flue collar	6
Smoke exit at rear.	6
Smoke exit on the top	6
Fitting of the handle	6
Pre-utilisation check	6
Maintenance of the Chimney.	6
<hr/>	
Instructions for user	7
Fuel	7
Instructions for use with wood	7
Lighting	7
Re-fuelling	7
Instructions for use with solid fuel	8
Lighting	8
Re-fuelling	8
De-ashing	8
Maintenance of the stove	8
Recommendations	8
Trouble shooting	9
<hr/>	
Spare parts.	10

This appliance is meant to burn wood safely.

WARNING

Incorrectly installed, this appliance can be dangerous and possibly cause serious accidents.

1. Description of the unit

1.1. Package

- 1 package : Stove

1.2. Specifications

Model	134 10 15
Nominal Heat Output kW	10
Heated volume m ³	380
Chimney draft required Pa	20
<i>Hearth dimensions</i>	
- Width mm	495
- Depth mm	255
- Height mm	200
<i>Logs dimensions</i>	
- Length cm	45
- Diameter cm	10 à 16
Ash pan capacity litre	3
Weight kg	115

1.3. Appliance description

Wood stove,

- Detachable flue spigot for rear or top chimney connection.
- Detachable top for easy handling and cleaning (rear smoke exit only).
- Front loading door fitted with large refractory glass panel.
- Side loading door.
- Adjustable air control for controlling the burning rate.
- Large ash-pan.

1.4. Operating principle

The appliance is designed for operating only with the door closed.

Heat is mainly diffused by radiation, through the window and body of the appliance. Combustion occurs on the grate, with draught entry through the top of the grate, which assists the combustion of volatile materials helping to keep the glass clean during normal operation.

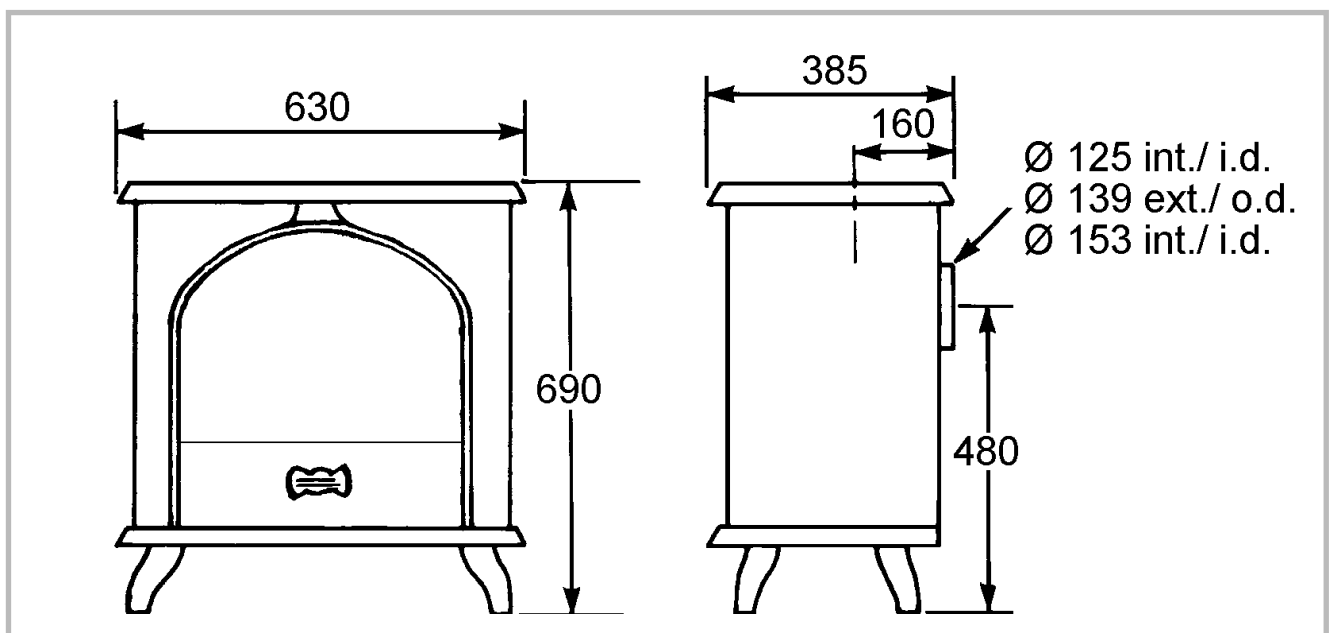


Figure 1 - Dimensions in mm

2. Installation instructions

2.1. Warning to the user

All the local and national regulation, in particular those which refer to national and European standards, must be respected for the installation of the stove.

This stove is not an incinerator.

An incorrectly installed heating appliance can cause serious accidents (chimney fires, burning of plastic insulation materials, in partition walls, etc.).

The installation must comply with Current Building Regulations. If in doubt, consult your Dealer or local Building Inspector.

It is the installer's responsibility to conform to local building standards and requirements with regard to installation.

The manufacturer's responsibility shall be limited to the supply of the equipment.

2.2. Location of the unit

Ventilation

For satisfactory operation with a natural draught, check that sufficient air for combustion is available in the room.

In houses equipped with mechanical ventilation, an outside air intake must be installed for the chimney.

Position of the unit

For new chimney installations, select a central position within the building, to provide a good heat distribution around the building.

The heat distribution towards the other rooms will be made through the communicating doors. These rooms must be in negative pressure or must include ventilation gratings.

Floor and walls

Make sure there are not combustible or covered with combustible material.

Otherwise it must necessary to install a non-combustible protection.

There must be a clearance of at least 150 mm at each side of the appliance and at the back of the appliance from a non-combustible wall.

This distance must be extended to a minimum clearance of 400 mm from any combustible materials.

This measurement may be reduced to a minimum gap of 50 mm when the non-combustible wall is at least 200 mm thick.

There should ideally be a minimum gap of 300 mm at the right hand side of the stove, this will ensure the best possible access to the loading door.

When using a single wall flue pipe, there must be a clearance (A) of at least three times its diameter (B) from any combustible materials.

If the appliance has to be located in an opening, this distance must be extended to a minimum clearance (A) of 450 mm from the pipe or the stove body to any combustible materials.

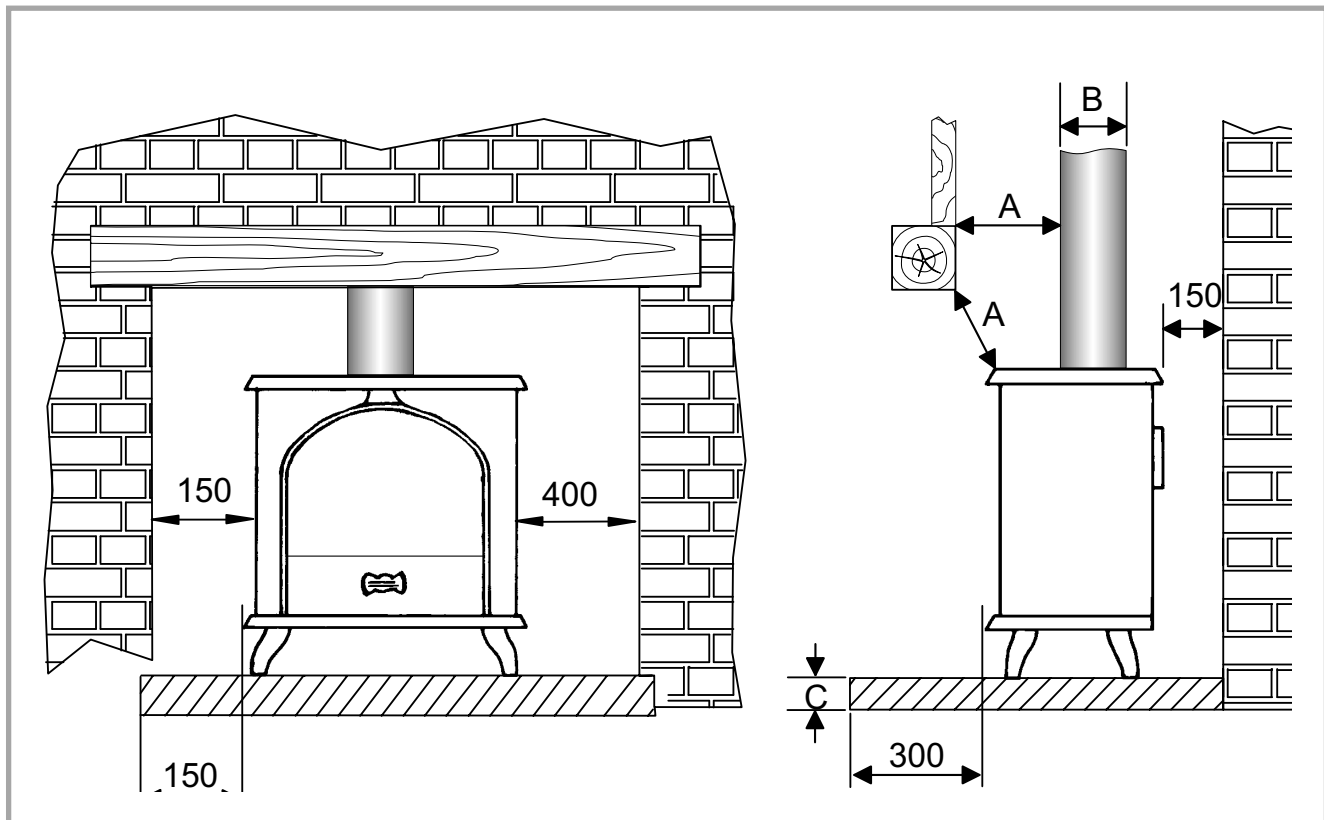


Figure 2 - Minimum clearances

Hearth

The appliance must stand on a fireproof hearth.

The hearth must be made of non-combustible material of thickness 125 mm minimum (C). This may include the thickness of a non-combustible floor.

The hearth must protrude at least 400 mm in front of the stove and 150 mm each side.

If the hearth is constructed on timber, there must be a clearance of at least 250 mm from the timber to the top surface of the hearth.

When using a single wall flue pipe, there must be a clearance (A) of at least 450 mm from any combustible materials (timber mantel, girder).

2.3. Chimney

The chimney must comply with Current Building Regulations. If in doubt, consult your Dealer or local Building Inspector.

Existing flue

The flue must be suitable for the installation of fuel burning appliances, otherwise it must necessary to install a tubing.

The flue must be in good condition and must provide sufficient draught. (refer to technical details p.).

The flue must be clean. It should be swept to remove soot and dislodge tar deposits.

The flue must be well insulated. If the flue inner wall surfaces are cold, a good thermal draw is impossible causing condensation problems (tar formation etc) to occur.

The flue must be watertight.

The chimney must have a constant cross section.

The flue must not be shared with any other appliance.

The chimney must be at least 4.5 m (15 ft high).

In case of a flat roof or when the roof gradient is lower than 15°, the stack must be 1,2 m (4 feet) high at least.

The capping must not restrain the draught.

If the chimney has any downdraught tendency, due to its position in relation to nearby obstacles, an anti-downdraught cowl must be installed on the chimney or the chimney height must be increased.

If the chimney draught is excessive or irregular, a draught stabiliser (barometric damper) must be installed to the connector pipe.

The spigot should be connected to a minimum of 125 mm flue system and in that case the appliance is capable of burning untreated wood and recommended solid fuels.

Chimney to be built / Flue non-existent

The chimney must comply with Current Building Regulations. If in doubt, consult your Dealer or local Building Inspector.

The appliance must not support the weight of the flue.

Consult a chimney specialist for advice on suitable flue systems for solid fuel appliances.

It must be distant from any combustible material (walls, cross members)

It must permit an easy sweeping.

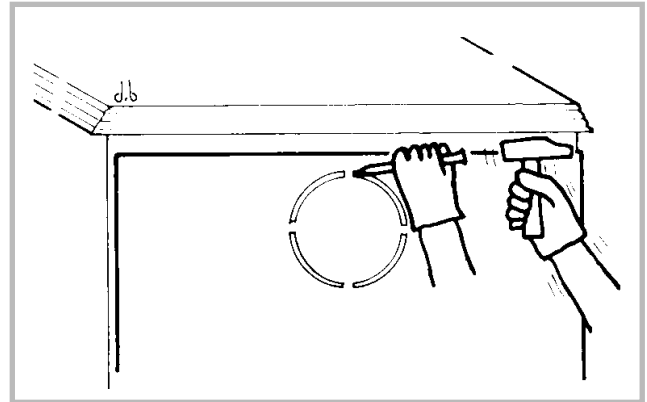


Figure 3 - Removing blanking plate on rear heat shield

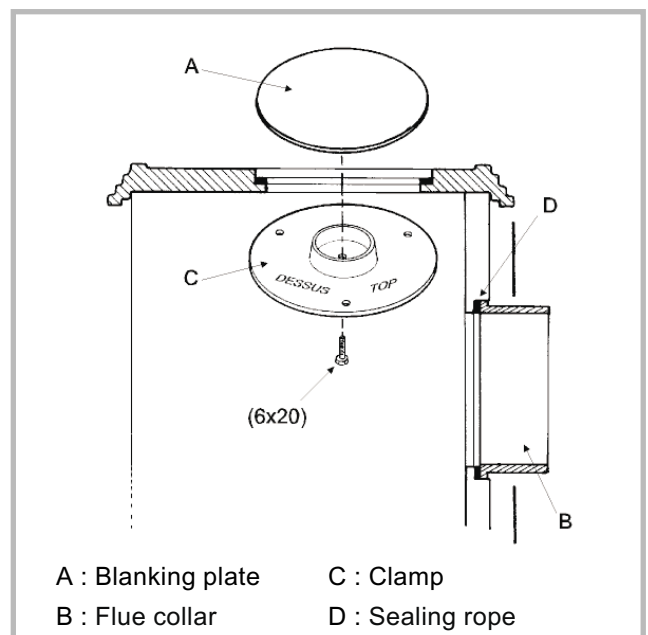


Figure 4 - Smoke exit at rear

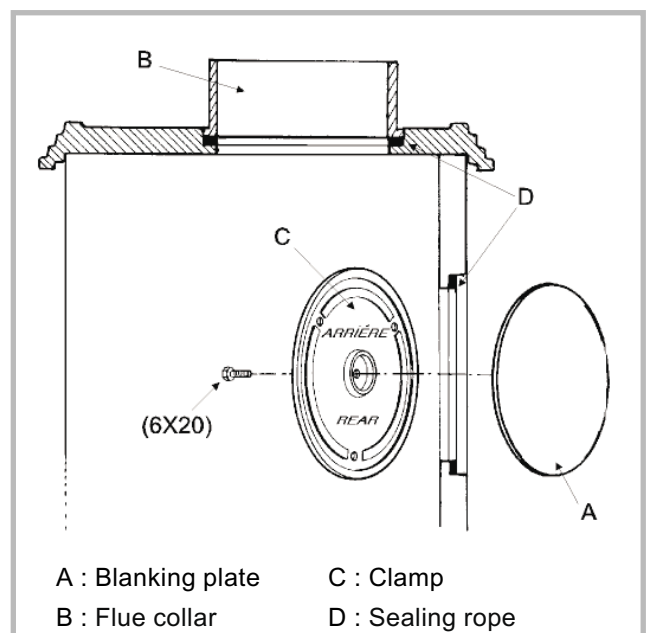


Figure 5 - Smoke exit on the top

2.4. Mounting the flue collar

For the flue collar (303860), the stove is supplied with a connection flue spigot with an inner diameter of 125 mm and an outer diameter of 139 mm.

For the flue collar (303826), the stove is supplied with a connection flue spigot with an inner diameter of 153 mm.

2.4.1. Smoke exit at rear

Figure 4

- Lift the cast iron top from the stove.
- Check that the two blanking plates are fixed to the cast iron top.
- Remove the internal baffle and the rear heat shield (# 56 & 27, fig. 8, page 12).
- Fix the sealing rope in the groove and fit the flue spigot, ensuring there is a good seal.
- Replace the internal baffle and re-fit the cast iron top.
- Remove the cut-out in the rear heat shield and re-fit.

2.4.2. Smoke exit on the top

Figure 5

- Lift the cast iron top from the stove.
- Remove the two blanking plates.
- Fit the sealing rope in the groove and attach the flue spigot and the supplementary baffle A using the three bolts and washers supplied.
- Remove the internal baffle and the rear heat shield.
- Position the sealing rope in the groove on the rear aperture of the stove and fit the two blanking plates.
- Replace the internal baffle and the cast iron top.

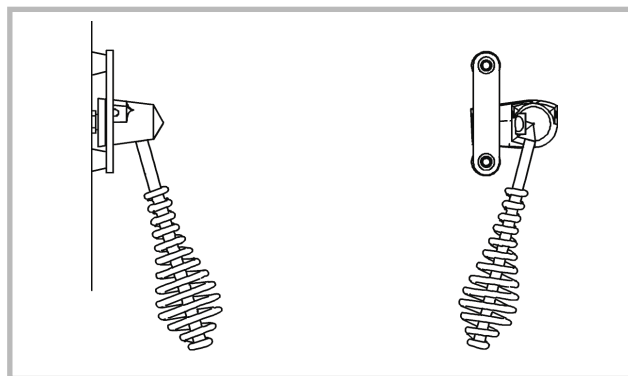


Figure 6 - Fitting the handle

2.5. Fitting of the handle

In order to avoid the damaging of the threading, first put the handle in operating position then screw it into the tapping of the lock (fig. 6).

2.6. Pre-utilisation check

Check the condition of the filler seals, that the door closes correctly, that the window is not damaged, that the smoke passages are not obstructed by pieces of packaging or removable parts. All removable parts, fuel retainer, oscillating grate, baffle, must be correctly installed.

2.7. Maintenance of the Chimney

Very important : In order to avoid any incident (chimney fire, etc...), maintenance tasks must be carried out regularly. If the appliance is regularly used, the chimney should be swept several times per year, together with the stovepipe connection section.

Chimney condition should be checked at least once per year by a professional engineer.

3. Instructions for user

All the local and national regulation, in particular those which refer to national and European standards, must be respected for used the stove.

The manufacturer will not be responsible for damages on parts of the appliance due to the use of prohibited fuel or due to an alteration of the appliance or its installation.

3.1. Fuel

Recommended fuel : Wood

- Use hard wood logs, which have been cut for at least two years and stored, under shelter.
- Hardwood has a higher calorific value per cu metre (oak, ash, maple, birch, elm, beech, etc.).
- Large logs must be split and cut to a usable length, before being stored in a sheltered and ventilated place.

Recommended fuel : Coal

Smokeless fuels, including coolite nuts, phurnacite, ancit and extracite.

Not recommended as fuel :

- "green wood". Green or damp wood reduces stove efficiency and soils the glass, the internal walls and the flue (soot, tar, etc.).
- "used timbers". Burning treated wood (railway sleepers, telegraph poles, offcuts of plywood or chip board, pallets, etc.) quickly clogs the flue ways (soot, tar, etc.), pollutes the environment (pollution and smell, etc.) and cause the fire to burn too quickly and overheat.

"Green wood" and "recovered wood" can eventually cause a chimney fire.

Prohibited fuel : Homefire and any form of bituminous coal or petroleum based coke.

3.2. Instructions for use with wood

3.2.1. Lighting

Figure 7

- Slide the top air control (# B1) to the right. Open the lower spin wheel (# C1).
- Lay firelighters or rolled up newspapers on the grate with a reasonable quantity, if necessary, of dry kindling wood. Place 2 or 3 small logs on top.
- Light the newspaper or firelighters using a long taper and close the door.
- When the fire is burning fiercely, add further logs of a diameter up to 10 cms.
- When the stove body is very hot, close the lower spin wheel.
- The burning rate can now be lowered by moving the top air control to the left.

3.2.2. Re-fuelling

Figure 7

- Slide the top air control (# B1) to the right. Open the lower spin wheel (# C1).
- Open the glass door and add logs.
- Leave the lower spin wheel open for a few minutes to allow the initial volatiles in the wood to burn.
- Close the lower spin wheel.

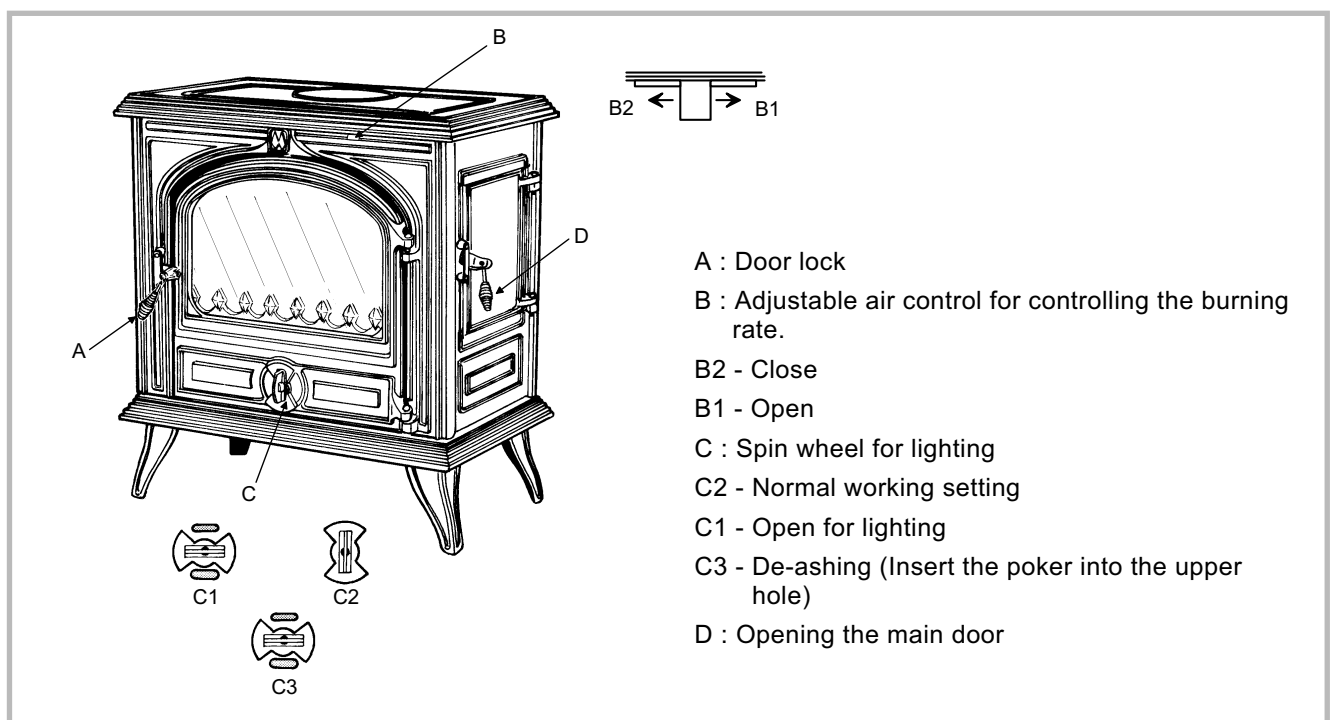


Figure 7 - Operating devices

3.3. Instructions for use with solid fuel

3.3.1. lighting

- Slide the top air control (# B1) to the right. Open the lower spin wheel.
- Lay firelighters or rolled up newspapers on the grate with a reasonable quantity, if necessary, of dry kindling wood. Place a small quantity of solid fuel on top.
- Light the newspaper or firelighters using a long taper and close the door.
- When the fire is burning fiercely, add further fuel.
- When the stove body is hot, close the top air control by sliding to the left.
- The burning rate can now be adjusted by rotating the lower spin wheel.

3.3.2. Re-fuelling

- Open the lower spin wheel.
- Open the glass door and add fuel.
- Leave the lower spin wheel open for a few minutes to allow the initial volatiles in the fuel to burn.
- Adjust the lower spin wheel to the desired position.

3.4. De-ashing

- Remove ash until glowing ashes start falling into the pan. (rep. C3, fig. 7, p. 7)
- Ashes must be removed before loading the firebox and when the fire doesn't burn efficiently.
- Ashes must never be allowed to pile up to the grate. The grate would not be cool down and could rapidly be damaged.
- Empty the ashes carefully with regard to the live embers.

REMEMBER TO BURN SOLID FUEL CORRECTLY, AIR SHOULD BE ALLOWED TO FLOW FROM THE ASH PIT AREA THROUGH THE GRATE AND THROUGH THE FUEL. IF THE GRATE OR ASH PAN ARE CONGESTED, THE PERFORMANCE WILL BE EFFECTED.

If burning solid fuel, always empty the ash pan at least once a day or whenever it is full of ashes. Never allow the ashpan to overflow allowing ash to be in contact with the underside of the grate. If this condition is allowed, the grate will wear out pre-maturely.

3.5. Maintenance of the stove

- The appliance must be regularly cleaned.
- Remove all deposits from the combustion chamber and clean the grate area.
- Cleaning of the glass door can be done with a soft cloth dampened with water and vinegar or potassium ; this must be done when the appliance is cold ; then rinse with clear water. Do not use abrasive cleaners.
- The "vitroceramic" glass will resist to temperatures of up to 750 C. Should the glass break due to misuse, it must be replaced by the manufacturers own product.
- All the casing parts can be cleaned using a soft cloth either dry, or slightly damp. In case of condensation or water splashes clean the parts before they dry out.

Warning : The appearance of cracks when burning the enamelled units is quite usual and tends to disappear when the appliance is cooling down. It should not be considered as a defect but rather as a patina of the enamel which does not affect its quality nor its service ability.

3.6. Recommendations

- The stove may still be hot even when fire has burnt out.
- This room heater is an appliance producing heat and may cause severe burns if touched.

Keep children away.

3.7. Trouble shooting



: This sign means that you should ask for a qualified engineer to do the work.

<i>Situation</i>	Probable causes	Corrective action
<i>Fire difficult to start. Fire goes out.</i>	Wood green... or too damp.	- Use hard wood logs, which have been cut for at least two years and stored, under a ventilated shelter.
	Logs are too big.	- To light the fire, use small, very dry twigs. To maintain the fire, use split logs.
	Poor quality wood.	- Use hardwood that have a higher calorific value per cu metre (Yoke-elm, oak, ash, maple, birch, elm, beech, etc.).
	Not enough primary air.	- Open air control. - Open the outside fresh air inlet grid.
	Insufficient draught.	<input checked="" type="checkbox"/> - Check that the flue is not obstructed, sweep it if necessary. - Seek advice from a chimney specialist.
<i>Fire burns too quickly.</i>	Too much draught.	- Partially close the air control.
	Excessive draught.	<input checked="" type="checkbox"/> - Install a draught stabiliser to the connector pipe.
	Poor quality wood.	- Do not continuously burn small wood, sticks, bundles, carpentry offcuts (plywood, pallets), etc.
<i>Smokes when lighting up.</i>	Flue duct is cold.	- Burn paper and kindling wood to increase heat.
	Room is in decompression (negative pressure).	- In houses equipped with mechanical ventilation, partly open a window until the fire is well established.
<i>Smokes while burning.</i>	Insufficient draught.	<input checked="" type="checkbox"/> - Seek advice from a chimney specialist. - Check that the flue is not obstructed, sweep it if necessary
	Down draught.	<input checked="" type="checkbox"/> - Install an anti-down draught cowl.
	Room is in decompression (negative pressure).	<input checked="" type="checkbox"/> - In houses equipped with mechanical ventilation, an outside air intake must be installed for the chimney.
<i>Low heat output.</i>	Poor quality wood.	- Use the recommended fuel.
	Poor mixing of the convection air.	- Check the air flow system (air inlet, piping, air outlet). - Check that the next rooms are equipped with ventilation grids to help out the hot air circulation.

4. Spare parts

When ordering spare parts, specify the stove type and serial number, including the colour index (on the guarantee or identification plate), the name of the part and the part number.

Example : Wood stove "Camargue", ref. 134 10 15 Y, Top plate 302141 77

A = 134 10 15 Y

B = 134 10 15 L

C = 134 10 15 J

N°	Code	Description	Type	A	B	C	Qty
1	100956	Axle		A	B	C	02
2	110405	Hinge pin	6x35	A	B	C	02
4	134749	Pin	4x20	A	B	C	02
5	181632	Adhesive rope		A	B	C	0,80 m
6	158541	Handle		A	B	C	02
8	162961	Descriptive plate		A	B	C	01
9	166003	Spring	11x15	A	B	C	01
12	181614	Ceramic rope	d. 9,5 mm	A	B	C	0,87 m
13	181615	Ceramic rope	Ø 12	A	B	C	3,14 m
14	181604	Ceramic rope	10x4	A	B	C	1 m
15	188779	Ceramic glass		A	B	C	01
16	189103	Screw	27x8x6	A	B	C	01
27	205330	Back panel		A	B	C	01
28	221200	66 Striking plate		A	B	C	02
29	224022	Ash-pan		A	B	C	01
32	259015	Fixing plate		A	B	C	04
33	260537	Heat shield		A	B	C	01
35	300121	59 Right leg		A			02
35	300121	77 Right leg			B		02
35	300121	79 Right leg				C	02
36	300217	59 Left leg		A			02
36	300217	77 Left leg			B		02
36	300217	79 Left leg				C	02
37	300455	60 Base		A			01
37	300455	77 Base			B		01
37	300455	79 Base				C	01
38	301515	66 Door lock		A	B	C	02
39	301742	59 Air damper		A			01
39	301742	77 Air damper			B		01
39	301742	79 Air damper				C	01
40	302141	59 Top plate		A			01
40	302141	77 Top plate			B		01
40	302141	79 Top plate				C	01
41	303510	59 Loading door		A			01
41	303510	77 Loading door			B		01
41	303510	79 Loading door				C	01
42	303718	59 Blanking plate		A			01
42	303718	77 Blanking plate			B		01
42	303718	79 Blanking plate				C	01
43	303860	59 Flue collar	Ø 125 / Ø 139	A			01
43	303860	77 Flue collar	Ø 125 / Ø 139		B		01
43	303860	79 Flue collar	Ø 125 / Ø 139			C	01
44	305009	Wall		A	B	C	01
45	305114	Back wall		A	B	C	01
46	305211	Wall		A	B	C	01
47	306215	Back wall		A	B	C	01
48	307416	Fuel retainer		A	B	C	01
49	308710	Grate		A	B	C	01
50	309859	59 Front plate		A			01
50	309859	77 Front plate			B		01
50	309859	79 Front plate				C	01

N°	Code	Description	Type	A	B	C	Qty
51	309964	59 Main door		A			01
51	309964	77 Main door			B		01
51	309964	79 Main door				C	01
51	988798	Complete door		A			01
51	988800	Complete door			B		01
51	988891	Complete door				C	01
52	310721	59 Right side panel		A			01
52	310721	77 Right side panel			B		01
52	310721	79 Right side panel				C	01
53	310811	59 Left side panel		A			01
53	310811	77 Left side panel			B		01
53	310811	79 Left side panel				C	01
54	314607	Inner door		A	B	C	01
55	319707	Grate support		A	B	C	01
56	323211	Flue baffle		A	B	C	01
57	327801	Clamp		A	B	C	01
58	415504	60 Poker		A	B	C	01
60	808001	60 Handle		A	B	C	01
61	110404	Hinge pin	6x30	A	B	C	02
63	315601	Air duct		A	B	C	01
64	442011	Sealing plate		A	B	C	01
65	613301	Air control flap		A	B	C	01
66	189788	Screw	M6X30	A	B	C	02
67	167322	Washer	M8	A	B	C	02
68	142881	Gasket		A	B	C	04
69	303826	59 Flue collar	Ø 153	A			01
69	303826	77 Flue collar	Ø 153		B		01
69	303826	79 Flue collar	Ø 153			C	01

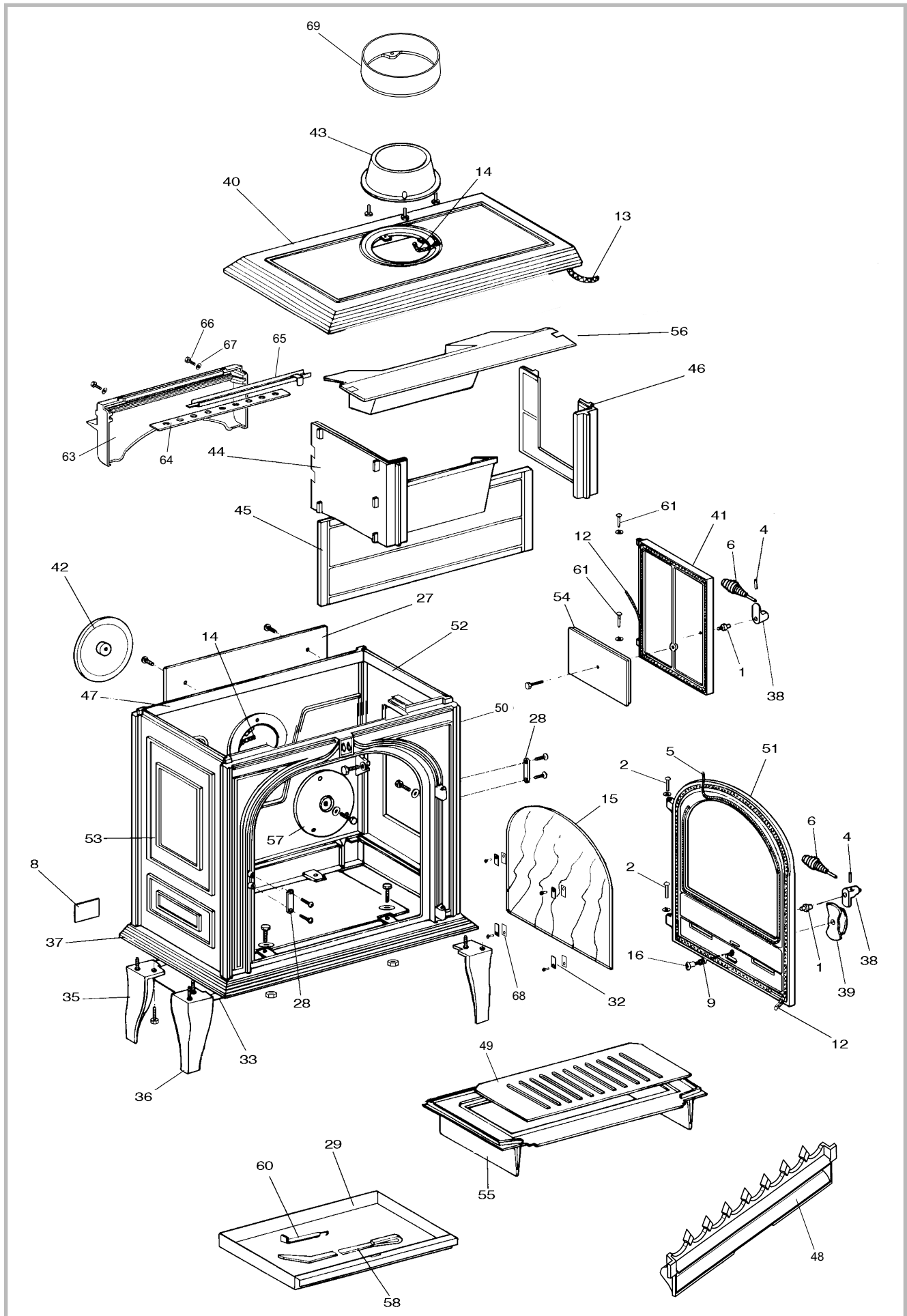


Figure 8 - Spare parts view



FRANCO BELGE



Conditions of Guarantee for United Kingdom only

1. The guarantee period is for 12 months from the date of purchase with the exception of main body castings which are covered by the guarantee for a period of 5 years from the date of purchase.

2. This guarantee is provided as an additional benefit and does not affect any other statutory or other rights of the consumer.

3. The guarantee is only valid in the UK.

4. The appliance must be installed and operated in accordance with the Installation and Operators Instructions provided.

5. The guarantee only covers manufacturing faults. The guarantee does not apply to consumable items such as glass, steel or cast iron grates and baffle

plates. The guarantee does not apply to any damage caused by accident or wear & tear.

6. In the event of a problem, before making any claim on this guarantee, please ensure that the appliance has been installed and commissioned correctly and that the chimney is operating to the correct draught. Please refer to your Operators Manual. If you are unable to resolve the problem, please report the fault to your dealer quoting the date of purchase and model reference.

7. Should the product or a product component be found to be at fault during the period of this guarantee, the product or component will either be replaced or repaired.

8. This guarantee does not cover any claims for consequential losses or damage.

To register your guarantee, fill in the form below and return to :

**ACR Heat Products
P O Box 70
Knowle
Solihull
B93 0ET
United Kingdom**

•

Name

Address

Postal Code

Telephone (day time)

E-mail address

Model Name : 134 10 15

Colour : Y L J

Serial Number

Where purchased

Name of Installer

Address of Installer



🎀 *Guarantee certificate* 🎀

🎀 **Legal guarantee**

The specifications, dimensions and information shown on our documents are provided for information purposes only and under no circumstances are binding upon the vendor. With the aim of constantly improving our equipment, all modifications considered as necessary by our departments may be made without notice.

The provisions of the present guarantee certificate are not excluding or limiting the owner of the equipment's rights, concerning the legal guarantee regarding faults or hidden vices which applies in all circumstances, in the conditions detailed in articles 1641 and following of the civil code, and in the country in which the equipment was purchased.

🎀 **Contractual guarantee**

Our equipment is guaranteed against faults and hidden vices subject to the following conditions:

- 1) Installation and adjustment of the device by a professional installer.
- 2) Observance of the instructions provided in our technical documents and our installation/adjustment instructions.
- 3) The installation, use and maintenance of the device carried out in conformity with the applicable standards and legislation, and with the indications provided in the technical instructions accompanying the device.

This guarantee covers the replacement, in our factory, of parts recognised as being defective from the outset by our "Guarantee Inspection" Department. Carriage and labour is at the user's cost. Moreover, if the repair or replacement of

parts covered by the guarantee is found to be too costly vis-à-vis the price of the appliance, the decision to replace or repair the appliance will be taken by the vendor.

Our guarantee is for 2 (two) years for all appliances, with the exception of closed combustion fireplace and inserts for which our guarantee is 5 (five) years excluding the following:

- 1) Indicator lights, fuses, electrical elements and fans.
- 2) Parts subject to wear or in contact with high temperatures namely: soles and burner grills, bottom plates baffles, ash pans, paintwork and surface treatments for decorative parts. Also excluded from this guarantee are seals and windows.
- 3) Any damage which may result from the use of the appliance with a fuel other than that stipulated in our instructions.
- 4) Damage occurring to parts caused by elements outside the appliance (down draught, storm damage, damp, abnormal pressure or vacuum, heat shocks, etc.).
- 5) Damage to electrical parts caused by plugging in and using the appliance on a mains system, the voltage of which (measured at the entrance to the appliance) is 10% above or below the nominal voltage of 220 V.

🎀 **Exclusion of liability**

In the case of a product manufactured at the client's request, under no circumstances may we, as a subcontractor, be considered liable vis-a-vis the client or third parties for defects arising from the installation or a design fault with the item in question.

☒ Name and address of the installer : _____

☎ Telephone : _____

☒ Name and address of the customer : _____

Date of installation : ____ / ____ / _____

Model of the appliance : 134 10 15

Color : Y L J

Serial number : _____

• This certificate has to be completed and kept carefully.

In case of claims, send a copy of this to :

STAUB FONDERIE, BP 73, 59660 MERVILLE, FRANCE.