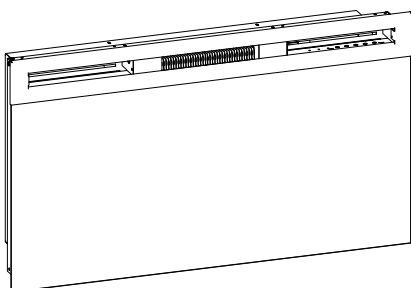
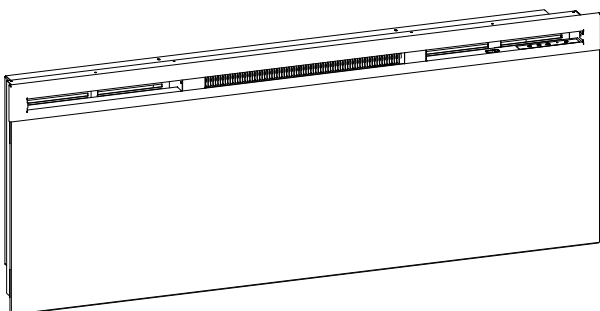


# Dimplex



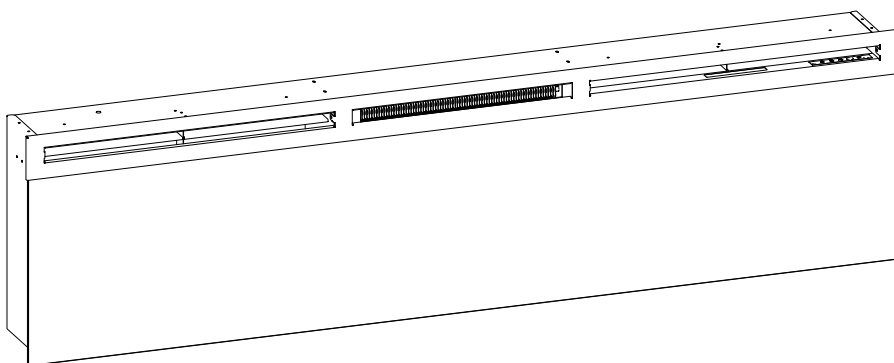
## 34" Model

34" Prism (BLF3451-UK)



## 50" Model

50" Prism (BLF5051-UK)



## 74" Model

74" Prism (BLF7451-UK)

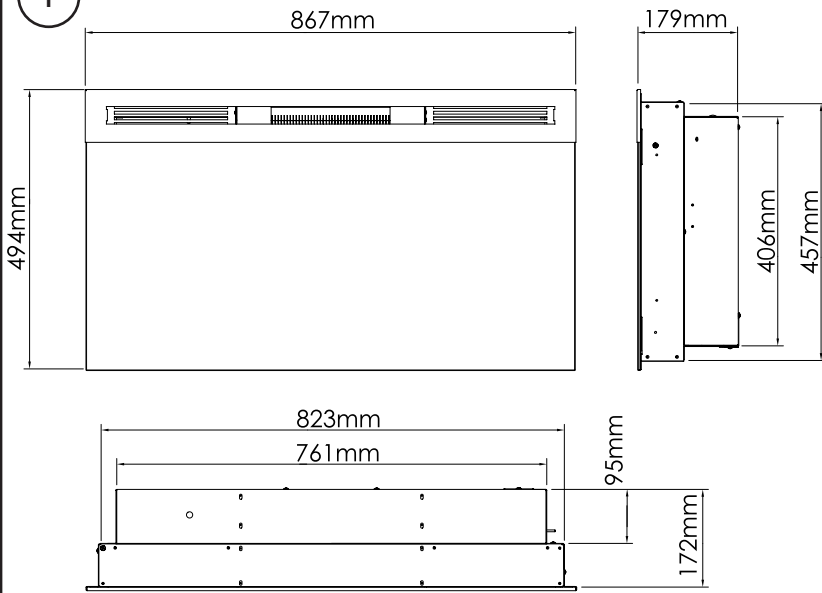
EN : This product is only suitable for well insulated rooms or occasional use. DE : Dieses Produkt ist nur für gut isolierte Bereiche oder gelegentliche Verwendung geeignet. FR : Ce produit convient uniquement à des endroits bien isolés ou pour un usage occasionnel. IT : Questo prodotto è adatto solo per spazi ben isolati o per uso occasionale. ES : Este producto sólo es adecuado para espacios bien aislados o un uso ocasional. NL : Dit product is uitsluitend geschikt voor goed geïsoleerde ruimten of voor sporadisch gebruik. PL : Produkt ten jest odpowiedni wyłącznie do dobrze odizolowanych miejsc lub do okazjonalnego użytku. NO : Dette produktet egner seg kun for godt isolerte rom eller sporadisk bruk. RO : Acest produs este adecvat exclusiv spațiilor bine ventilate sau utilizării ocazionale. CZ : Tento výrobek je vhodný pouze do dobře izolovaných prostor nebo k příležitostnému použití. DK : Dette produkt er kun egnet til velisolerede rum eller lejlighedsvis brug. PT : Este produto somente é adequado para espaços bem isolados ou uso ocasional. SE : Denna produkt är endast avsedd för välisolerade utrymmen eller tillfällig användning. FI : Tämä tuote soveltuu ainoastaan hyvin eristettyihin tiloihin tai satunnaiseen käyttöön. SK : Tento výrobok je vhodný len pre dobre izolované priestory alebo na občasné použitie. SI : Ta izdelek je primeren le za dobro izolirane prostore ali za občasno uporabo. HR : Ovaj proizvod je pogodan samo za dobro izolirane prostore ili povremenu upotrebu. HU : Ez a termék csak jól szigetelt terekhez vagy eseti használatra alkalmas. SV : Denna produkt är endast lämplig för användning i väl isolerade utrymmen eller enstaka användning.



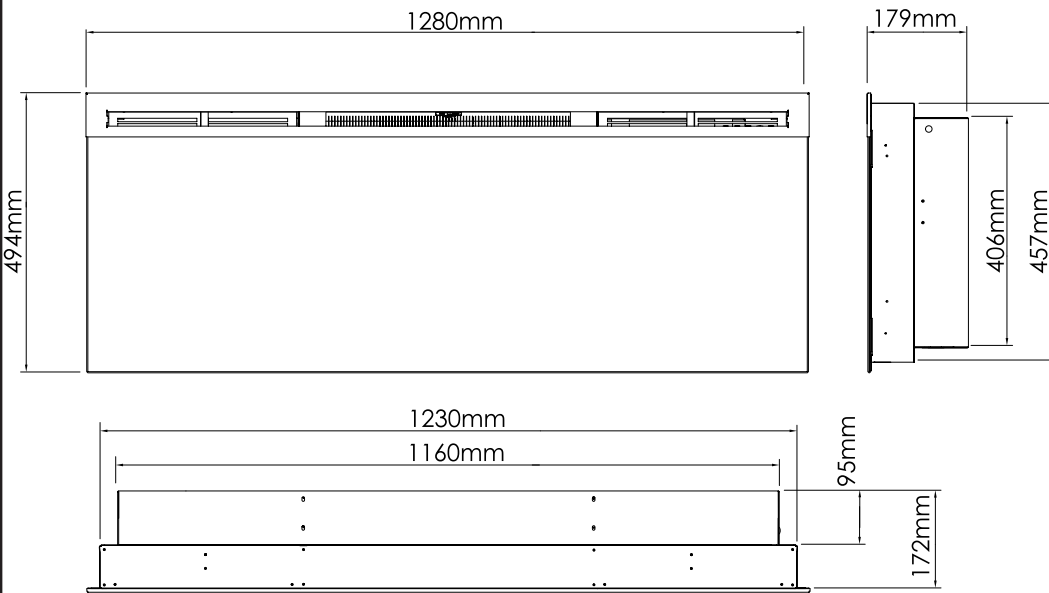
The product complies with all the required Product Safety, Electromagnetic, Compatibility, and Environmental Standards. This product is fully compliant with LVD, EMC, RoHS and Eco Design Directives.

1

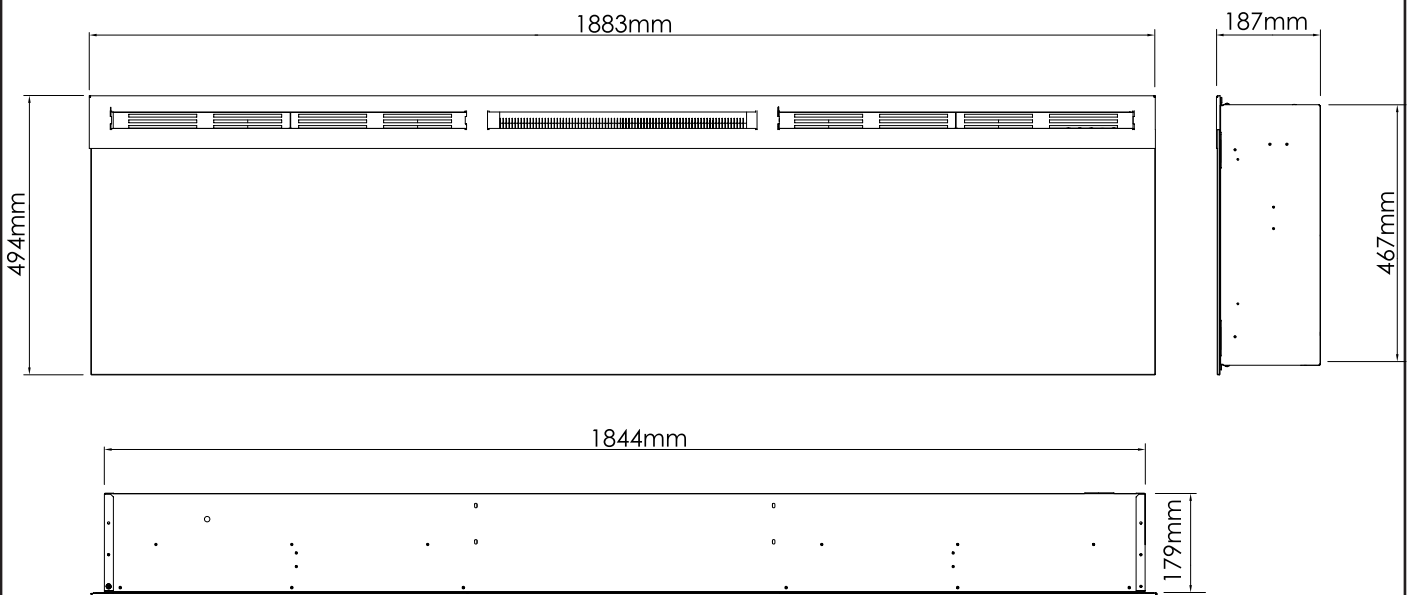
### 34" Prism BLF3451-UK



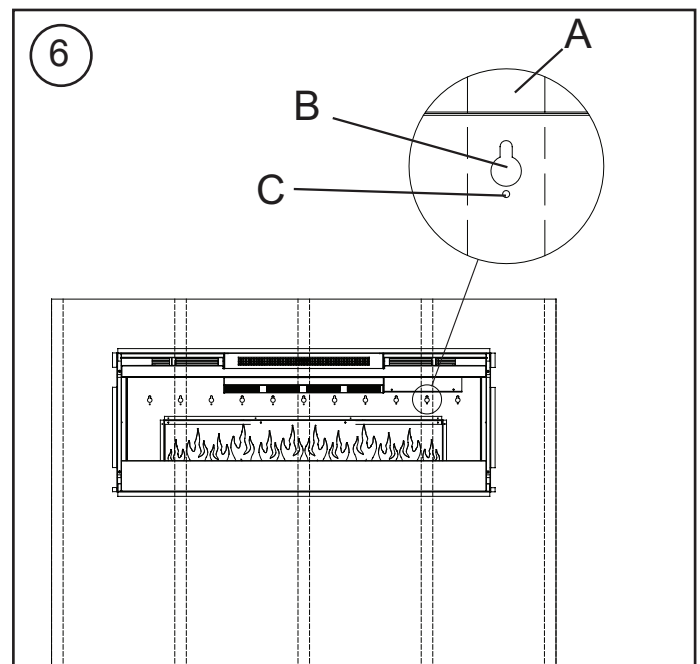
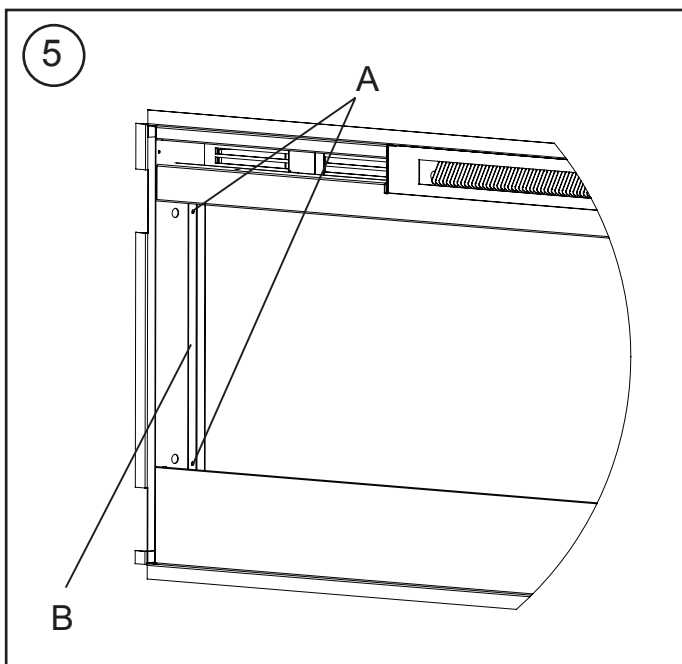
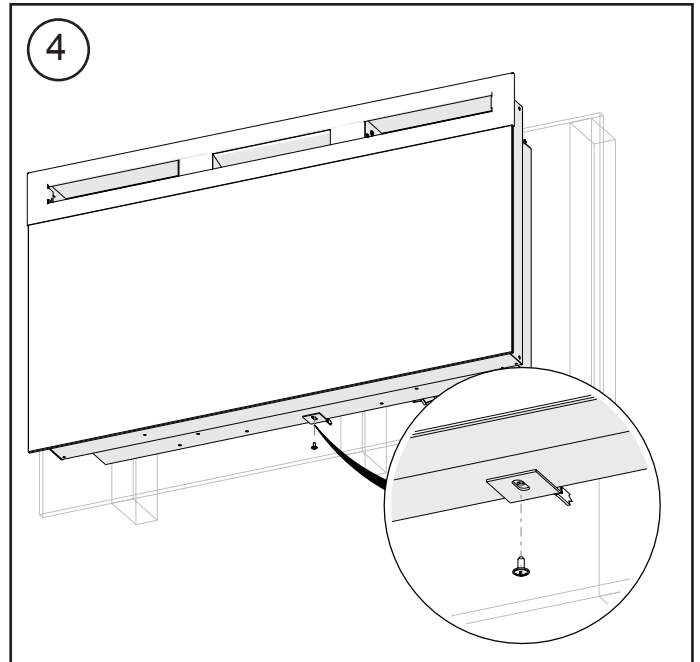
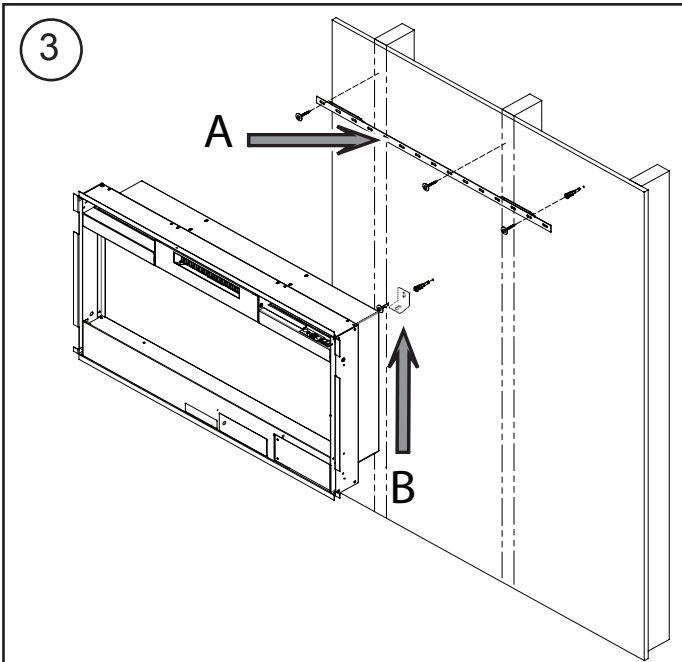
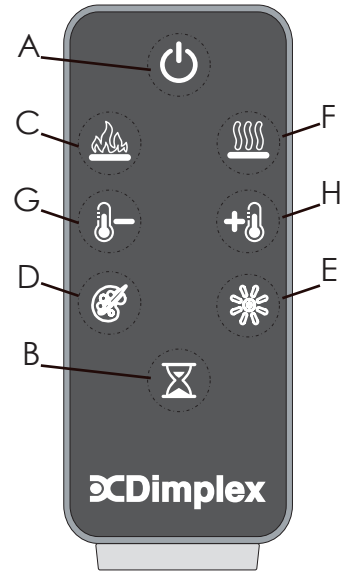
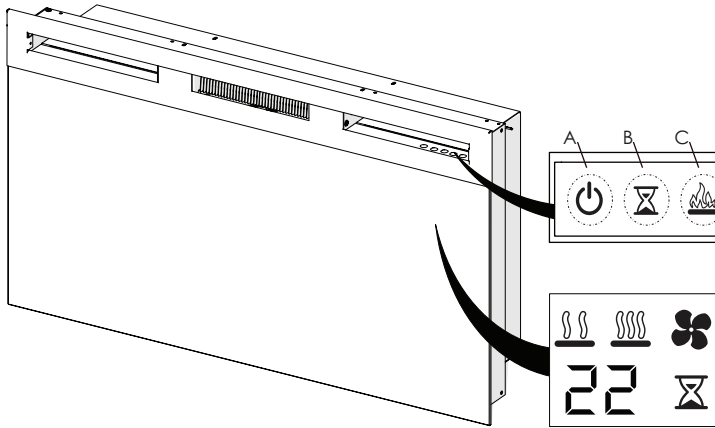
### 50" Prism BLF5051-UK

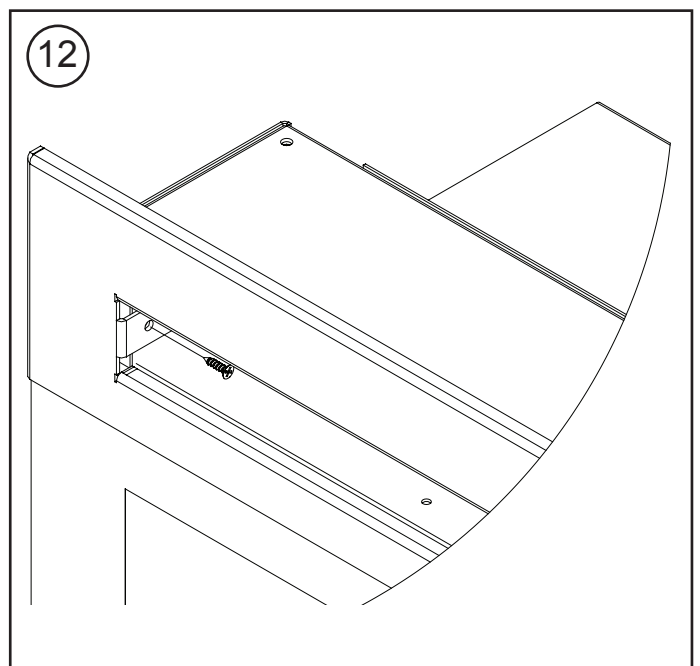
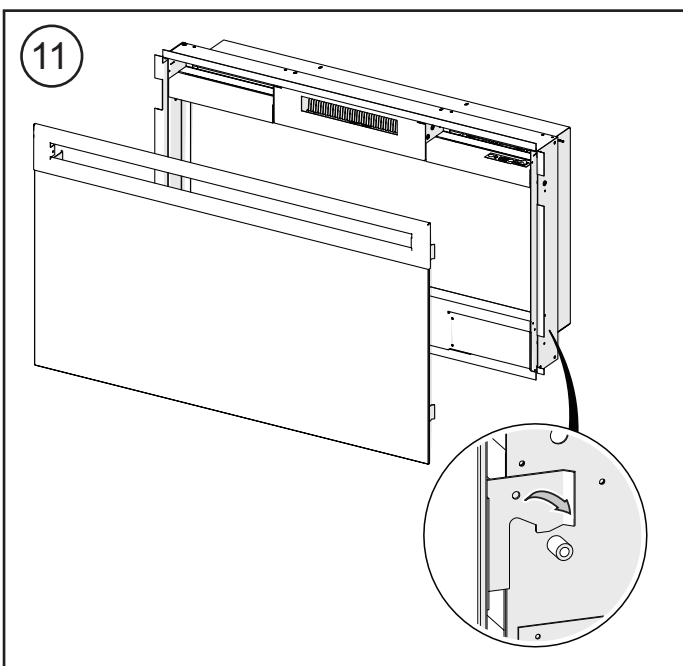
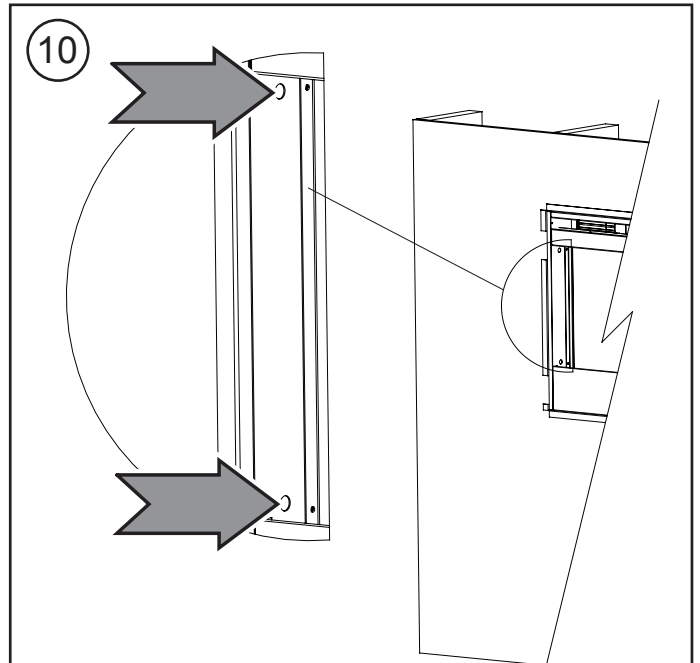
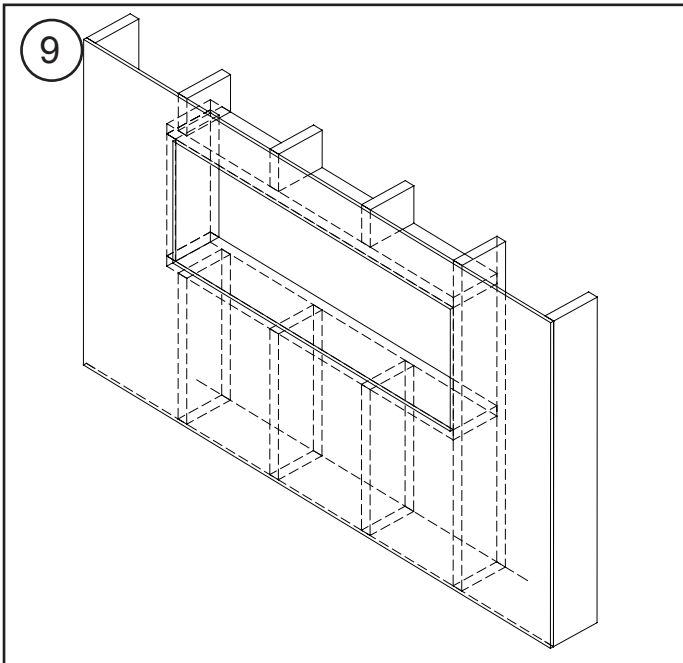
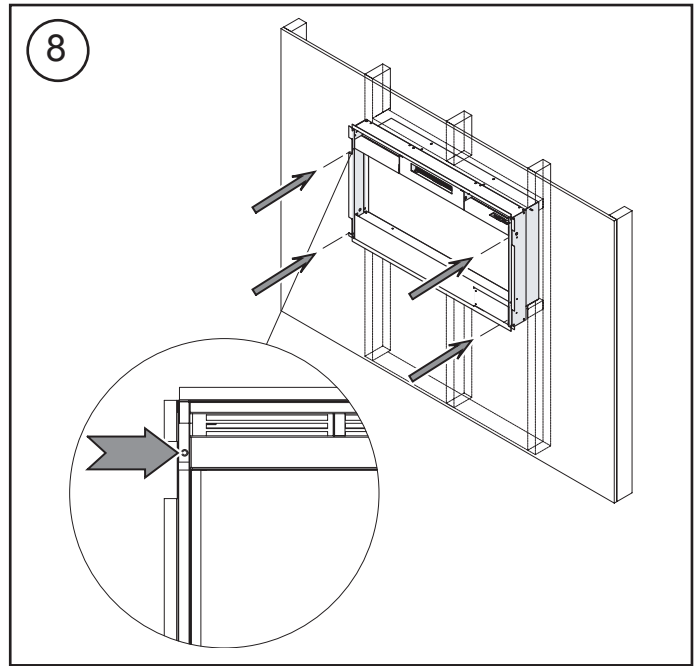
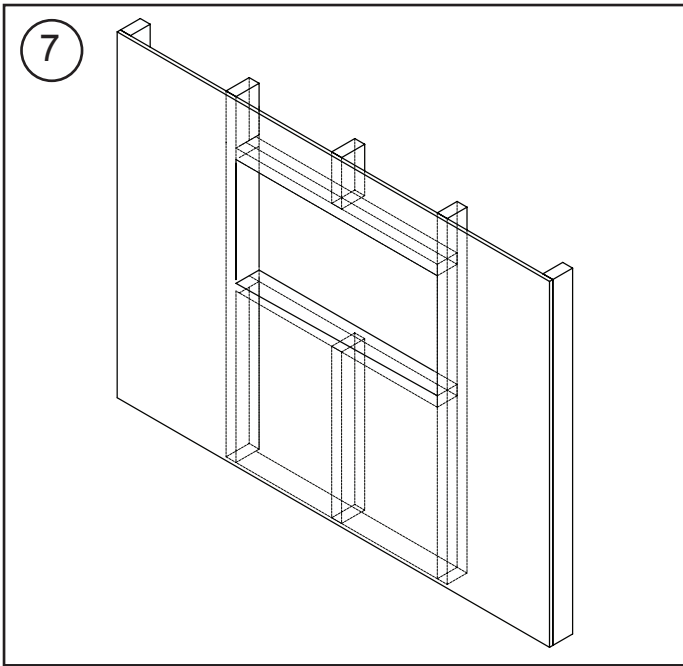


### 74" Prism BLF7451-UK



② **PRISM:** 34" Prism (BLF3451-UK)  
 50" Prism (BLF5051-UK)  
 74" Prism (BLF7451-UK)





### Important Safety Advice

When using electrical appliances, basic precautions should be followed to reduce the risk of fire, electric shock, and injury to persons, including the following:

If the appliance is damaged, check immediately with the supplier before installation and operation.

Do not use this appliance in the immediate surroundings of a bath, shower or swimming pool.

Do not use outdoors.

This appliance must not be located immediately above or below a fixed socket outlet or connection box.

**⚠ WARNING:** The appliance carries the Warning Symbol indicating that it must not be covered or has a Do not cover label. Do not cover or obstruct in any way the heat outlet grille located above the flame window on the appliance. Overheating will result if the appliance is accidentally covered. Do not place material or garments on the appliance, or obstruct the air circulation around the appliance, for instance by curtains or furniture, as this could cause overheating and a fire risk.



In the event of a fault unplug the heater. Unplug the appliance when not required for long periods.

This appliance can be used by children aged from 8 years and above and persons with reduced physical, sensory or mental capabilities or lack of experience and knowledge if they have been given supervision or instruction concerning use of the appliance in a safe way and understand the hazards involved. Children shall not play with the appliance. Cleaning and user maintenance shall not be made by Children without supervision.

Children of less than 3 years should be kept away unless continuously supervised. Children aged from 3 years and less than 8 years shall only switch on/off the appliance provided that it has been placed or installed in its intended normal operating position and they have been given supervision or instruction concerning use of the appliance in a safe way and understanding the hazards involved. Children aged from 3 years and less than 8 years shall not plug in, regulate and clean the appliance or perform user maintenance.

The appliance must be positioned so that the plug is accessible.

If the supply cord is damaged it must be replaced by the manufacturer or service agent or similarly qualified person in order to avoid a hazard.

**CAUTION:** In order to avoid a hazard due to inadvertent resetting of the thermal cut-out, this appliance must not be supplied

through an external switching device, such as a timer, or connected to a circuit that is regularly switched on and off by the utility.

**CAUTION -** Some parts of this product can become very hot and cause burns. Particular attention has to be given where children and vulnerable people are present.

### Technical Information

Model No: BLF3451-UK, BLF5051-UK, BLF7451-UK

Heat Output **230V 240V**

Nominal Heat Output	$P_{Nom}$	1.1	-	1.2	kW
---------------------	-----------	-----	---	-----	----

Minimum Heat Output	$P_{min}$	0.6	-	0.6	kW
---------------------	-----------	-----	---	-----	----

Maximum Continuous Heat Output	$P_{max,c}$	1.1	-	1.2	kW
--------------------------------	-------------	-----	---	-----	----

Auxiliary Electricity Consumption

In Standby mode	$eI_{SB}$	0.47	-	0.49	W
-----------------	-----------	------	---	------	---

with electronic room temperature control

### General

Unpack the heater carefully and retain the packaging for possible future use, in the event of moving or returning the fire to your supplier.

The fire incorporates a flame effect, which can be used with or without heating, so that the comforting effect may be enjoyed at any time of the year. Using the flame effect on its own only requires little electricity.

Before connecting the heater check that the supply voltage is the same as that stated on the heater.

**Please note:** Used in an environment where background noise is very low, it may be possible to hear a sound which is related to the operation of the flame effect. This is normal and should not be a cause for concern.

### Electrical Connection

**⚠ WARNING:** THIS APPLIANCE MUST BE EARTHED

This heater must be used on an AC ~ supply only and the voltage marked on the heater must correspond to the supply voltage.

Before switching on, please read the safety warnings and operating instructions.

### Fixed Wiring

In some jurisdictions this appliance is supplied without a plug this is to comply with the local regulations. In such instances this appliance must be installed by a suitably qualified installer and the means for disconnection must be incorporated in the fixed wiring in accordance with the local wiring rules.

**Controls:** See Fig. 2

	Icon	Display	Function	Description
A		-	Power / Standby	Press once to turn the product 'ON'. Press a second time to put the product into 'STANDBY' (When returning from 'STANDBY' mode the product will return to previous settings unless the product has been plugged out, in which case it will reset to factory settings)
B			Sleep Timer	Press multiple times to change the 'SLEEP TIMER' in 0.5 hr increments from 0.5 hr to 8.0 hr before turning off. The remaining time on the 'SLEEP TIMER' displays. (This icon is <b>Green</b> in Colour)
C		Flame Effect		'FLAME EFFECT' button cycles the unit sequentially through the 4 settings, LOW FLAME, HIGH FLAME, DEMO MODE and OFF.
		F1	Low Flame	This setting will run the flame effect at a low brightness level. (The display will show F1)
		F2	High Flame	This setting will run the flame effect at a high brightness level. (The display will show F2)
		FP	Demo Mode	This setting will slowly pulse the flame effect between low and high brightness. (The display will show FP)
		-	Off	This will turn the flame effect off. If the heater is running, the display will activate and remain active to read the set temperature and show if the product is on LOW HEAT/ HIGH HEAT/COOL BLOW.
D		Colour Theme		'Colour Themes' are setting which change the colour of the fuel bed and there are eight different themes
			Theme 1	Theme 1 is a 'Demo Mode' - this setting will scroll through all of the colour settings, you can 'Pause' this demo mode by pressing the 'Brightness Button' / * in which case the display will read  .P to 'Unpause' press the 'Brightness Button' / * in which case display will read  .L
		2-8	Theme 2-8	Themes 2-8 are preset colours that remain static.
E		-	Brightness	This button switches themes 2-8 between full brightness and half brightness. This button also interacts with the product when set on theme as previously described above
F		Heat		'HEAT' button cycles the unit sequentially through the 4 settings: LOW HEAT, HIGH HEAT, COOL BLOW and OFF. The heat setting will be indicated by an icon in the floating display see Fig. 2.  When the flame effect is 'ON' the floating display will turn off after 5 seconds, however if the heater is being used independantly of the flame effect. The low heat or high heat icon will appear continuously in the floating display.
			Low Heat	This setting will run the heater at 'LOW HEAT' - this setting will be indicated by the 'LOW HEAT' icon and the letters 'LO' appearing in the display. (This icon is <b>Orange</b> in Colour)
			High Heat	This icon in the floating display indicates 'HIGH HEAT' - this setting will be indicated by the 'HIGH HEAT' icon and the letters 'HI' appearing in the display. (This icon is <b>Red</b> in Colour)
			Cool Blow	This icon in the floating display indicates 'COOL BLOW' - this setting will be indicated by the 'COOL BLOW' icon and the letters 'CB' appearing in the display. (This icon is <b>Blue</b> in Colour)
		-	Off	This switches the heater and blower 'OFF', no icon will be displayed in the floating display. Note the blower will run for 10-20 seconds after being turned off, this is to ensure the product cools down safely.
G		-	Temp Down	Press multiple times to lower the heater temperature in 1°C increments. The lowest temperature that can be set 5°C. Note: Once you stop at your desired temperature, this will flash 3 times, then the display will show the room temperature as detected by the product. If the set temperature is lower than the detected room temperature the heater will not activate.
H		-	Temp Up	Press multiple times to increase the heater temperature in 1°C increments. The highest temperature that can be set is 37°C. Note: Once you stop at your desired temperature, this will flash 3 times, then the display will show the room temperature as detected by the product. If the set temperature is lower than the detected room temperature the heater will not activate.

**User Modes:**

Mode Name /Discription	Action (Actions cannot be input by remote control)
Change Celsius (° C) to Fahrenheit (° F)	Press both 3 Dot Button ( ••• ) and 2 Dot ( •• ) on the unit and hold until beep is heard and display flashes. (To revert back to Celsius repeat this action)
Disable/Enable Heat Options	Hold both 1 Dot Button ( • ) and Flame Button () on the unit, for 2 seconds, when the heater has been disabled the display will read "--" and beep. To enable heat repeat this action.



## Fitting Product - see Fig. 3 - 10

There are three possible mounting methods

1. Surface Mounting
2. Partial Recessed (Not on 74" Models)
3. Flush Mount

## Surface Mounting (34" & 74" Models)- see Fig. 3 & 4

**⚠ CAUTION:** Two people will be required for various steps of this procedure.

1. Determine the mounting location of the unit so that the wall-mounting bracket can be installed into a minimum of 2 wall studs for the 34" Models and 4 wall studs for the 74" Models

**! NOTE:** It is recommended that the mounting bracket be installed 56 in. (142 cm) off of the ground to maintain an optimized viewing angle of the flame.

2. Hold the wall mounting bracket, with the spirit level on the top, on the wall so that the bubble on the level is centered between the two black lines.
3. Mark the 4 mounting screw locations, on the wall, ensuring that the wall bracket stays level (Fig. 3) marked (A).
4. In locations where the screws are being installed only into drywall, install the supplied wall anchors before installing the screw (pre-drill if required).
5. Secure the wall bracket to the wall using the supplied 1 ½ in. (3.8 cm) mounting screws and washers into the wall and/or wall anchors.
6. Install the bottom support bracket to the wall centered with the wall mounting bracket, using the appropriate mounting hardware, 13 ¾" (350 mm) below the wall mounting bracket (Fig. 3) marked (B).
7. Remove the center screw from the bottom of the fireplace. (Fig. 4)
8. Hang the fireplace from the bracket.
9. Install the previously removed screw through the bottom support bracket into the fireplace.
10. Refer to Front Glass Installation section for final installation procedures.

## Surface Mounting (50" Models) - see Fig. 5 & 6

**⚠ CAUTION:** Two people may be required for various steps of this procedure.

1. Choose a location which has a minimum of two wall studs available for mounting.
2. Remove the partially reflective glass from the fireplace:
  - Lay fireplace on its back.
  - Remove two Phillips screws from each of the two glass brackets (Fig. 5) marked (A).
  - Remove glass brackets (Fig. 5) marked (B).
  - With one hand keeping pressure on the partially reflective glass, tilt the fireplace upright and slightly forward to allow the partially reflective glass to fall out of the inside framing.

**⚠ CAUTION:** Partially reflective glass is not tempered. Do not bump or drop the partially reflective glass to avoid breakage and personal injury.

- Remove partially reflective glass from fireplace.
3. Position the fireplace on a wall in the position where it will be mounted (Fig. 6). Use a spirit level (one is supplied) to ensure that fireplace is level on the wall.
4. Ensuring that at least two key-holes line up with a wall stud (key-holes are spaced at 4 in. (10.2 cm) centers)

(Fig. 6) marked (A), mark the location of four screw locations on the wall (through key-holes).

5. Remove fireplace from wall and store in a safe place away from traffic.
6. Where marked screw locations do not line up with a wall stud, insert (screw in) one of the two supplied wall anchors (pre-drill if required). Repeat if only two screws line up with a wall stud.
7. Screw all four supplied #8, 1 ½ in. (3.8 cm) square head mounting screws and washers into the wall and/or wall anchors leaving ¼ in. (6.5 mm) of thread.
8. Align chosen key-holes with screws and hang fireplace on the wall. Screw heads and washers will fit through key-holes and fireplace will slide down into place (screws will slide into narrow part of key-holes).
9. Tighten all four mounting screws down on fireplace chassis.
10. Screw the two supplied #8 square head screws through two of the permanent mounting holes (Fig. 6) marked (C) which align with a wall stud.
11. Carefully replace and install partially reflective glass and glass brackets using screws from step 1.
12. Refer to Front Glass Installation section for final installation procedures.

## Partial Recessed (Not possible on 74" Models)- see Fig. 7 & 8

**⚠ CAUTION:** Two people may be required for various steps of this procedure.

1. Prepare a wall with a framed opening for the correct model (Fig. 7)
  - 34" Models: 30 ½ in. (77.5 cm) wide x 16 ½ in. (42 cm) high
  - 50" Models: 46 ½ in. (118.1 cm) wide x 16 ½ in. (42 cm) high

**! NOTE:** The sizing has allowed for ¼ in. (6.4 mm) around the fireplace insert for ease of installation. This fireplace does not require any additional venting.

2. Choose your method of supplying power to the unit:
  - Plug in (you may run the power cord out of the framed wall opening to an existing outlet or install an outlet on a nearby wall stud within the wall).
  - Hard wire the fireplace.

**⚠ WARNING:** Do not attempt to wire your own new outlets or circuits. To reduce the risk of fire, electric shock or injury to persons, always use a licensed electrician.

**⚠ WARNING:** Ensure that the circuit on which the fireplace is to be installed has the power cut off at the service panel until installation is complete.

3. Lift fireplace and insert into opening (Fig. 8).
4. Use spirit level (supplied) to level the fireplace within the framing. Adjust as required.
5. Drive four supplied mounting screws through the four mounting holes located in each corner of the fireplace chassis, into wall studs (Fig. 8).
6. Refer to Front Glass Installation section for final installation procedures.

## Flush Mount- see Fig. 9 & 10

**⚠ CAUTION:** Two people will be required for various steps of this procedure.

1. Prepare a wall with a framed opening for the correct model (Fig. 9)
  - 34" Model: 33 in. (83.8 cm) wide x 18 ½ in. (47 cm) high

- 50" Model : 49 in. (124.5 cm) wide x 18 ½ in. (47 cm) high
- 74" Model: 73 in. (185.4 cm) wide x 18 ½ in. (47 cm) high

**! NOTE:** It is recommended that the bottom of the unit not be mounted higher than 40 in. (102 cm) from the ground to maintain an optimized viewing angle of the flame.

**⚠ WARNING:** Do not attempt to wire your own new outlets or circuits. To reduce the risk of fire, electric shock or injury to persons, always use a licensed electrician.

**⚠ WARNING:** Ensure that the circuit on which the fireplace is to be installed has the power cut off at the service panel until installation is complete.

2. Lift fireplace and insert into opening. The fireplace's mounting trim should be flush against the wall (Fig. 10).
3. Use the supplied spirit level to level the fireplace within the framing, adjust as required.
4. Drive four supplied mounting screws through the four mounting holes located on the inside surface of the fireplace chassis, into wall studs (Fig. 10).
5. Refer to Front Glass Installation section for final installation procedures.

### Front Glass Installation- see Fig. 11 & 12

1. Pour and evenly distribute the supplied media in the media tray of the firebox (Figure 11).
2. Carefully mount front glass assembly so that the front glass hooks hang on the front glass mounts on the fireplace (Figure 11).
3. Use the supplied four Phillips sheet metal screws to fasten the glass assembly tabs to the fireplace (Figure 12).

### Remote Control - See Fig. 2

The maximum range of use is ~ 5metres.

**NOTE:** It takes time for the receiver to respond to the transmitter.

**NOTE:** The receiver for the remote control is located in the display, aim the remote control in this direction when inputting commands.

Do not press the buttons more than once within two seconds for correct operation.

### Battery Information - See Fig. 2

1. To activate the remote control remove the clear battery isolation strip at the base of the remote control, which is used to ensure your remote control reaches you fully charged.
2. To replace the remote control battery, turn over the remote control and follow the diagram embossed on the remote control
3. Only use CR2025 or CR2032 size of batteries.

### Thermal Safety Cut-out

The built-in overheat cut-out, switches off the appliance automatically in the event of a fault! Should this occur switch off the appliance or disconnect the mains plug from the socket.

Remove any obstructions which may have caused the overheating. After a short cooling down phase, the appliance is ready for use again! If the fault should occur again, contact your local dealer!

**WARNING:** In order to avoid a hazard due to inadvertent resetting of the thermal cut-out, this appliance must not be supplied through an external switching device, such as a timer, or connected to a circuit that is regularly switched on and off by the utility.

### Maintenance

**⚠ WARNING: ALWAYS DISCONNECT FROM THE POWER SUPPLY BEFORE ATTEMPTING ANY MAINTENANCE.**

### Light Emitting Diode

This fire is fitted with LED (Light Emitting Diode) lamps. These LED lamps are maintenance-free and should not require replacing during the life of the product.

### Cleaning

**⚠ WARNING: ALWAYS DISCONNECT FROM THE POWER SUPPLY BEFORE CLEANING THE HEATER.**

For general cleaning use a soft clean duster – never use abrasive cleaners. The glass viewing screen should be cleaned carefully with a soft cloth.

DO NOT use proprietary glass cleaners.

To remove any accumulation of dust or fluff, the soft brush attachment of a vacuum cleaner should occasionally be used to clean the outlet grille of the fan heater.

**WARNING:** do not operate the product without the grille and outer glass in position as this may effect the operation of the heater.

### Recycling

At the end of the electrical products useful life, it should not be disposed of with household waste. Please recycle where facilities exist. Check with your Local Authority or retailer for recycling advice in your country.



### After Sales Service

Should you require after sales service or should you need to purchase any spares, please contact the retailer from whom the appliance was purchased or contact the service number relevant to your country on the warranty card.

Please do not return a faulty product to us in the first instance as this may result in loss or damage and delay in providing you with a satisfactory service. Please retain your receipt as proof of purchase.

Dimplex Millbrook House,  
Grange Drive, Hedge End,  
Southampton, SO30 2DF

Tel: 0344 879 3588  
Republic of Ireland Tel: 01 8428 222  
www.dimplex.co.uk