



*Fire Your Imagination*

# Studio Electric Range



## Instructions for Use, Installation & Servicing For use in GB & IE (Great Britain & Republic of Ireland).



### **IMPORTANT**

**THE OUTER CASING, FRONT AND GLASS PANEL BECOME EXTREMELY HOT DURING OPERATION AND WILL RESULT IN SERIOUS INJURY AND BURNS IF TOUCHED. IT IS THEREFORE RECOMMENDED THAT A FIREGUARD COMPLYING WITH BS 8423:2002 IS USED IN THE PRESENCE OF YOUNG CHILDREN, THE ELDERLY OR INFIRM.**

For use with 230v 50Hz electricity supply only.

Please read these instructions carefully before installation and keep them in a safe place.

They will be needed when maintenance or servicing is required.

THIS APPLIANCE MUST BE EARTHED

# Contents

Covering the following models:

Studio 1	Studio 2	Studio 3	Studio 22
223-802	223-837	223-856	223-884

With the following frame options

Verve Frame						Glass Frame	
Model	Graphite	Metallic Blue	Metallic Red	Metallic Bronze	Ivory	Model	Black Glass
Studio 1	923-900	923-900BL	923-900RD	923-900BZ	923-900IR	Studio 1	923-908
Studio 2	923-926	923-926BL	923-926RD	923-926BZ	923-926IR	Studio 2	923-933
Studio 3	923-876	923-876BL	923-876RD	923-876BZ	923-876IR	Studio 3	923-910
Studio 22	923-952	923-952BL	923-952RD	923-952BZ	923-952IR	Studio 22	923-947

E-motiv Frame - Black Glass			
Model	Light Oak	Oak	Walnut
Studio 1	923-848	923-801	923-814
Studio 2	923-890	923-820	923-832
Studio 3	923-809	923-844	923-853
Studio 22	923-834	923-875	923-887

E-motiv Frame - White Glass			
Model	Light Oak	Oak	Walnut
Studio 1	923-839	923-898	923-905
Studio 2	923-860	923-912	923-927
Studio 3	923-866	923-934	923-948
Studio 22	923-896	923-963	923-971

Evolve Frame			
Model	Light Oak	Oak	Walnut
Studio 1	923-885	923-807	923-811
Studio 2	923-881	923-823	923-830
Studio 3	923-945	923-842	923-856
Studio 22	923-975	923-864	923-879

## User Instructions.....3

1. Important Information & Health and Safety..... 3
2. Operating Instructions..... 3
3. Fitting the Frames..... 5
4. Maintenance..... 5

## Installation Instructions.....6

- Technical Specifications..... 6
- Appliance Dimensions..... 6
- Frame Dimensions..... 7

## Installation.....8

1. General..... 8
2. Fitting The Appliance..... 8

## Servicing..... 11

1. Fault Finding..... 11
2. How to Wire a Plug..... 11
3. Servicing Requirements..... 12
4. Removing The Screens..... 12

5. Removing The Filter Covers..... 13
6. Replacing The Flame Effect LED Board..... 13
7. Replacing The Effects Fans..... 15
8. Replacing The Heating Element..... 19
9. Replacing The Remote Sensor..... 20
10. Replacing The PCB Unit..... 20
11. Replacing The Thermostat Control Board..... 21

## Spare Parts List.....21




Registration No WEE/DH1656ZW  
In accordance with European Directive 2002/96/EC, waste electrical and electronic equipment (WEEE) must not be disposed of with household waste.

At the end of its useful life please take this product to an appropriate recycling centre or collection point. You can find your nearest recycling centre by using the bank locator at [www.recycle-more.co.uk](http://www.recycle-more.co.uk) for UK customers, [www.weeeireland.ie](http://www.weeeireland.ie) for customers in the Republic of Ireland, or by contacting your local authority.

This product is guaranteed for 2 years from the date of installation, as set out in the terms and conditions of sale between Gazco and your local Gazco dealer. **This guarantee will be invalid, to the extent permitted by law, if the appliance has not been installed and operated as detailed in the Installation and User Instructions.** The guarantee will only be valid during the second year, to the extent permitted by law, if the appliance has been regularly maintained by the customer as detailed in the maintenance section of the Installation and User Instructions.

# User Instructions

## 1. Important Information and Health and Safety

- 1.1 **Read all of the instructions carefully before using the appliance.**
- 1.2 **Remove all packaging and dispose of at an appropriate recycling facility.**
- 1.3 Do not locate this appliance immediately below a fixed socket outlet.
- 1.4 Parts of the outer casing of this appliance are considered by the manufacturer to be a working surface which becomes hot when the heater is switched on. You must use a suitable fire guard to protect children, the elderly and the infirm.
- 1.5 Do not use this appliance in the immediate surroundings of a bath, shower, swimming pool or any other area where the appliance could come into contact with water or humidity, e.g. a bathroom.
- 1.6  **WARNING! DO NOT COVER**  
Do not allow the appliance to be covered or let the air inlet/outlet become obstructed as the appliance may overheat. Please note the warning symbol on the appliance (see above).
- 1.7 **For indoor use only.** This appliance is not suitable for use outside the house.
- 1.8 Keep the power cord away from hot surfaces and hot conditions. Do not route the power lead in front of the appliance.
- 1.9 This appliance must be firmly fixed to flat internal wall. Ensure that furniture, curtains etc. are positioned no closer than 1m to the appliance.
- 1.10 When the fire has been installed the position of the plug must be accessible.
- 1.11 If the electricity supply cable is damaged do not use the appliance until it has been replaced. For safety reasons the replacement has to be carried out by a Gazco service agent or a similarly competent electrician.
- 1.12 Do not use this appliance with any kind of timer, programmer or thermal control or other device that will switch the appliance on or off automatically.
- 1.13 Do not operate the appliance if it is damaged.
- 1.14 Repairs of electrical appliances must only be performed by an electrical engineer. Should the appliance fail to operate, or in case of any damage, please contact the retailer from whom the appliance was purchased.
- 1.15 **Never leave the heater unattended while it is in use.** Always switch the product to the OFF position and unplug it from the electrical outlet when not in use.
- 1.16 **This appliance is not intended to be used by persons under the age of 12, persons with reduced physical, sensory or mental capabilities or persons with lack of experience and knowledge in the safe operation of the appliance.**

The appliance may be operated by persons above the age of 12 provided they have been instructed in the safe use of the appliance and that they understand the hazards involved. Persons above the age of 12 may also operate the appliance under the supervision of a responsible adult.

- 1.17 Parts of this appliance become hot whilst in operation and under no circumstances should persons under the age of 12 be left alone with the product when it is in operation unless a suitable fireguard is used to protect them against the possibility of coming into direct contact with the appliance.

## 2. Operating Instructions



**WARNING! Do not operate the appliance if it is damaged or has malfunctioned. If you suspect the appliance is damaged or has malfunctioned call a qualified service engineer to inspect the appliance, and replace any part of the electrical system if necessary, before reuse.**

### GENERAL

- 2.1 The appliance can be operated by the infrared handset or the manual controls which are on the right hand side of the outer casing.

### PREPARATION BEFORE USE

#### Batteries:

- 2.2 Ensure that the handset battery is new and is inserted correctly.
- 2.3 Dispose of old batteries at an appropriate recycling facility.

When using the handset:

- 2.4 Ensure the handset is pointed at the infrared sensor located behind the flame effect screen at the back of the inside of the appliance.

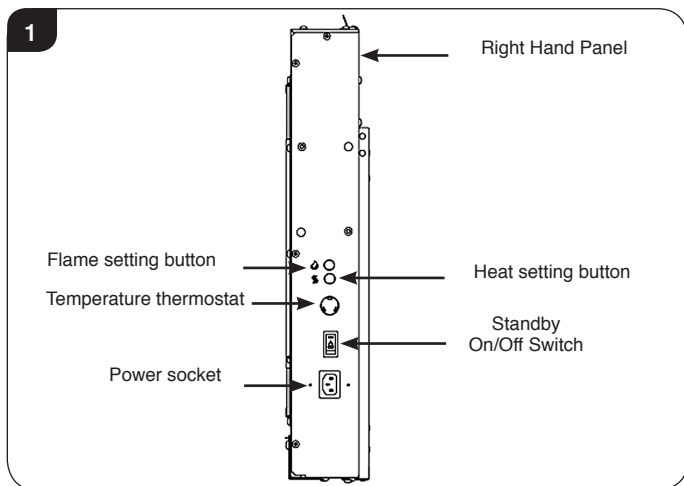
### LOCATION OF POWER SWITCH

- 2.5 The mains power switch is located on the control panel located on the right-hand side of the appliance (see Diagram 1 over page).
- 2.6 Switch ON (—) before operating either the remote or manual controls.
- 2.7 A beep is heard to indicate the fire is ready for use.

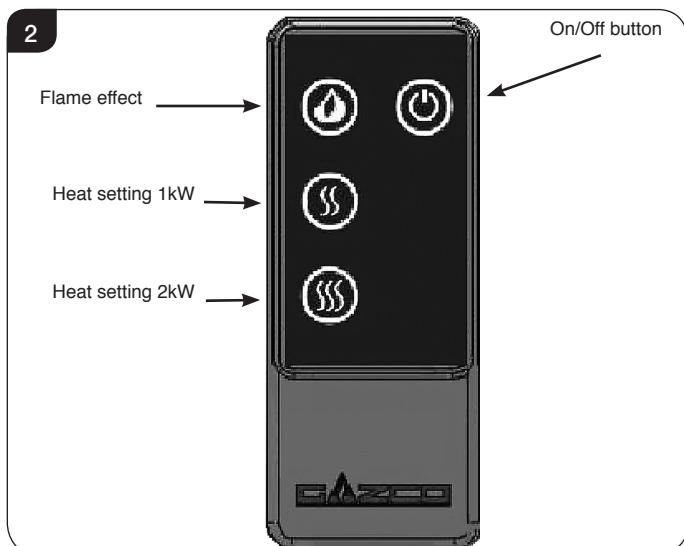
## Remote & Manual Operation

- 2.8 The following functions can be controlled using the manual controls or remote handset:
  - Heat settings 1 and 2
  - Brightness of the fuel and flame effect
- 2.9 The Standby function and the thermostat can only be operated via the manual controls.

# User Instructions



2.10 The effects can be turned off using the remote, returning the appliance to Standby, see Diagram 2.



## Standby On/Off

2.11 The appliance is in Standby mode when the power is switched on via the manual control panel. You must have this power supply ON (—) before using the manual or remote controls.

## Turning On the Appliance

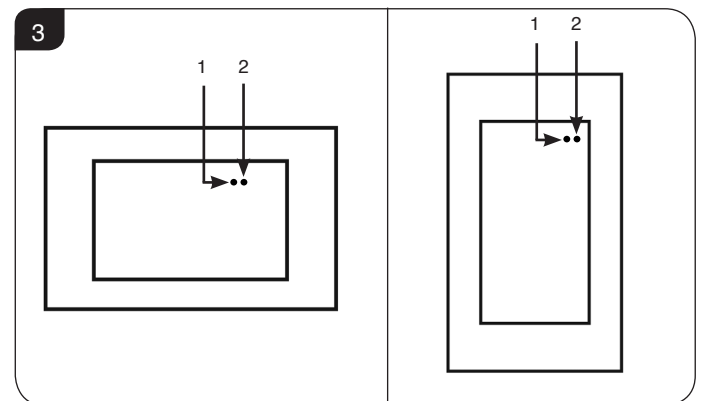
### Flame Effects:

2.12 The flame effect button on both the manual and remote controls has 4 settings:

- Press **once** for maximum brightness level.
- Press **twice** for brightness level 3.
- Press **three times** for brightness level 2.
- Press **four times** for minimum brightness.

### Turning On the Heat:

- 2.13 **When turning on the heater you must always press the 1kW button. Do not start the fire using the 2kW setting.**
- 2.14 **It is NOT possible to run the heater without the flame effects switched on.**
- 2.15 Press the 1kW button to turn the fan heater ON. One red indicator light will be displayed on the indicator (1) - See Diagram 3. The appliance will blow cold air for approximately 8 seconds before the heater comes on. On this setting the heater will operate at half its maximum temperature.
- 2.16 Press the 2kW button **once** to turn the fan heater to its maximum temperature. Two red indicator lights will be displayed on the indicator (1) + (2) behind the flame effect screen - See Diagram 3. After approximately 8 seconds the heater will operate at its maximum temperature.



- 2.17 **Pressing the 2kW button again will turn the heater OFF and cold air will continue until the flame effect is turned off.**
- 2.18 Press the 1kW button to return to the lower heat setting.
- 2.19 Press the On/Off button to turn off **ALL** settings and return to Standby.
- 2.20 **The appliance should be turned off via the On/Off switch when it is not in use.**

## Thermostatic Control

2.21 The appliance is fitted with a thermostat. This is located on the right hand panel of the appliance, Diagram 1.

The thermostat can control the room temperature between approximately 9°C and 34°C. The edge of the thermostat control dial is numbered 1 - 9 with 1 being the coolest setting and 9 being the warmest. If the room temperature is too high turn the thermostat dial in an anti-clockwise direction. If the room temperature is too low turn the dial in a clockwise direction.

# User Instructions

## Thermal Safety Cutout

The appliance is fitted with a thermal safety cutout, which operates if it overheats. If this happens:

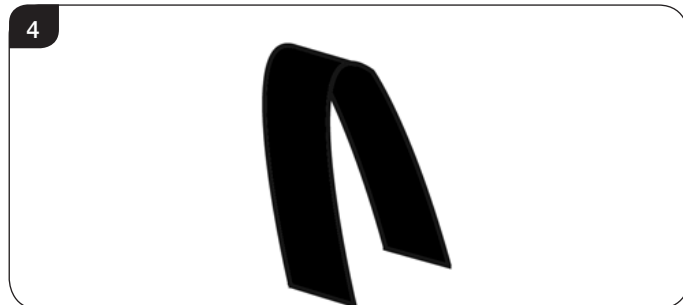
- 2.22 Unplug the appliance and allow it to cool for 5 - 10 minutes.
- 2.23 Check the air inlets/outlets for any obstruction and clear if necessary (see *Maintenance, Section 3.5*).
- 2.24 Plug in appliance and switch it on. The cutout will re-set and the appliance should function correctly. If this is not the case:
- 2.25 Unplug once more and have the fire checked by a competent electrician.

## 3. Anti Vibration Clips

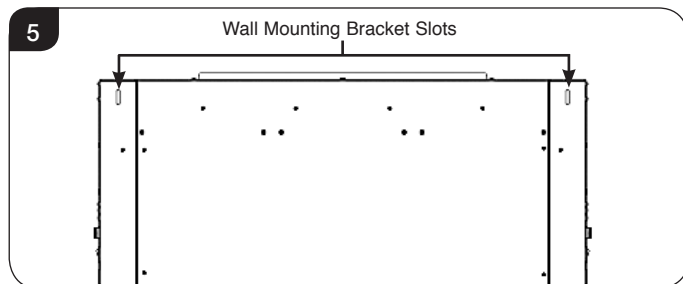
In order to improve the performance of the appliance the addition of rubber mounts that reduce any possibility of vibration noise occurring when a frame has been attached have been designed.

The appliance is supplied with six rubber mounts that cushion the frames when fitted.

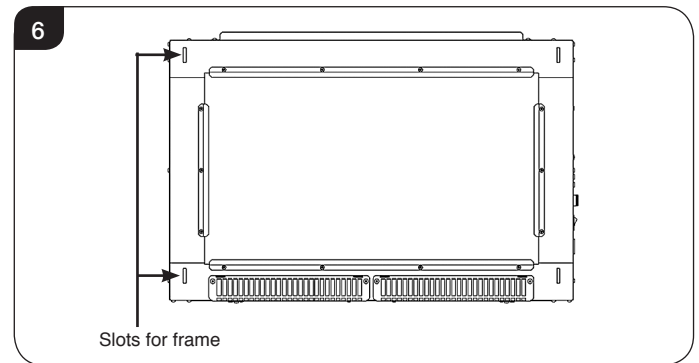
- 3.1 The rubber mounts are U-Shaped in order to fit into the slots in the appliance, see Diagram 4.



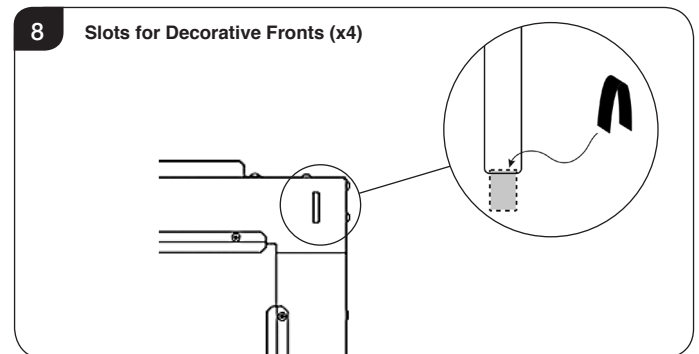
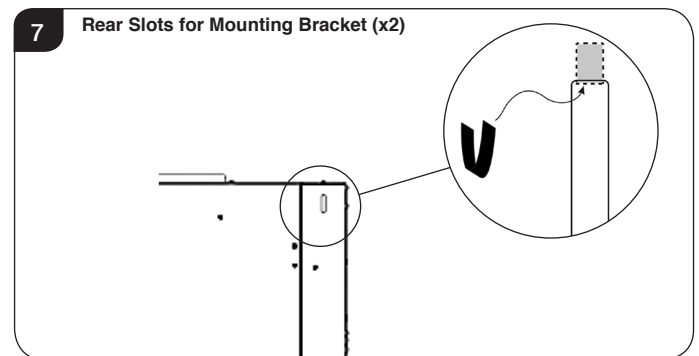
- 3.2 To install the clips fit them over the slots in the Studio appliance.
- 3.3 There are two slots on the rear of the appliance for the hooks on the wall mounting bracket, see Diagram 5.



- 3.4 There are four slots on the front of the appliance for the hooks on the decorative frame, see Diagram 6.

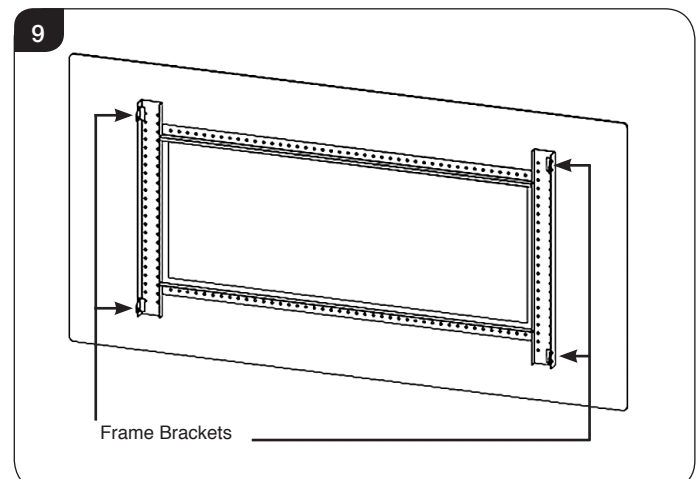


- 3.5 The mounts must be fitted before the installation of the appliance and frame, see Diagram 7 & 8.



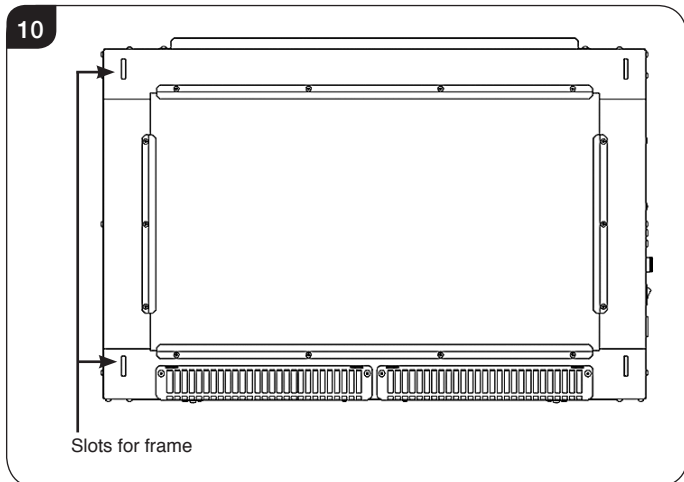
## 4. Fitting Frames

- 4.1 The frame options are secured to the appliance by four hooked brackets, see Diagram 9.



# User Instructions

The hooks locate in the four slots on the front of the appliance, see Diagram 5.



3.2 To remove the frame lift carefully and pull forward.

Fitting the frame is the reverse of this procedure.

## 4 Maintenance

4.1 **ALWAYS UNPLUG FROM MAINS SUPPLY BEFORE CLEANING OR UNDERTAKING ANY MAINTENANCE**

### GENERAL CLEANING

4.2 Only clean the outer casing when it is cold. Do not use abrasive cleaners.

### CLEANING FRONTS

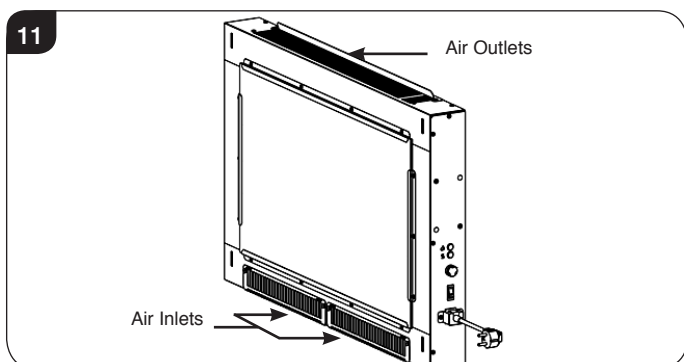
4.3 Wipe the front with a damp cloth and buff with a lint free duster.

**Caution: Do not use abrasive cleaners on the glass panel. Do not spray liquids directly onto any surface of the unit.**

### CLEANING AIR INLETS

4.4 Ensure the appliance is unplugged.

4.5 Clean the air inlet and outlet grilles regularly with a soft cloth or the nozzle of a vacuum cleaner.



**Dust build-up can inhibit efficient performance of the fan and lead to the safety cut-out operating.**

4.6 Keep the area around the appliance clean and free of fluff, dust or pet hair.

4.7 In particular, build-up of dust etc. can occur around the heater area at the top of the appliance. Take particular care to keep this area free from such particles on a regular basis to prevent build-up.

### BATTERY REPLACEMENT

4.8 When the remote batteries are low they must be changed immediately. Install correct replacement and dispose of the old batteries carefully.

**Note: If the appliance is to be left for a long period of time ensure it is switched off and the power cord removed.**

# Installation Instructions

## Technical Specification

These instructions cover the following models:

Studio 1	Studio 2	Studio 3	Studio 22
223-802	223-837	223-856	223-884

**These appliances have 3 modes of operation:**

- Flame effect only - with 4 brightness levels
- Flame effect + 1kW heating
- Flame effect + 2kW heating

A 230v 13amp 50Hz supply is required  
 Maximum power consumption:  
 Studio 1,2 & 3: 1800 watts  
 Studio 22: 900 watts

**THIS APPLIANCE MUST BE EARTHED**

A 1.8 metre lead with plug containing a 13 amp fuse is supplied. Only use a 13 amp fuse with this appliance.

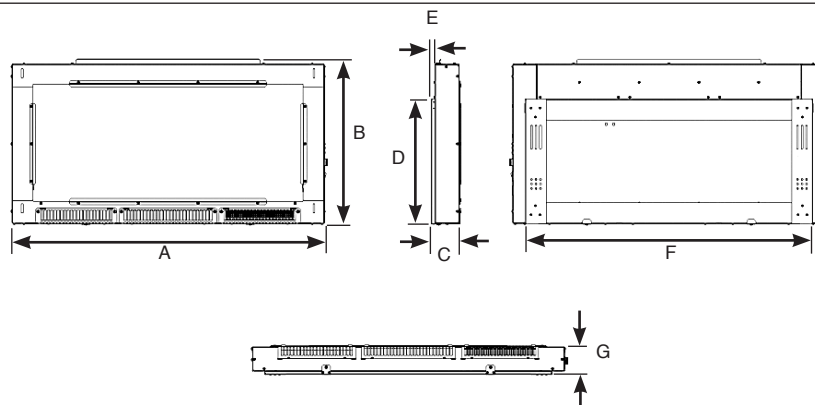
Remote control handset battery (CR2032)

This appliance has been certified for use in countries other than those stated. To install this appliance in these countries, it is essential to obtain the translated instructions and in some cases the appliance will require modification. Contact Gazco for further information.

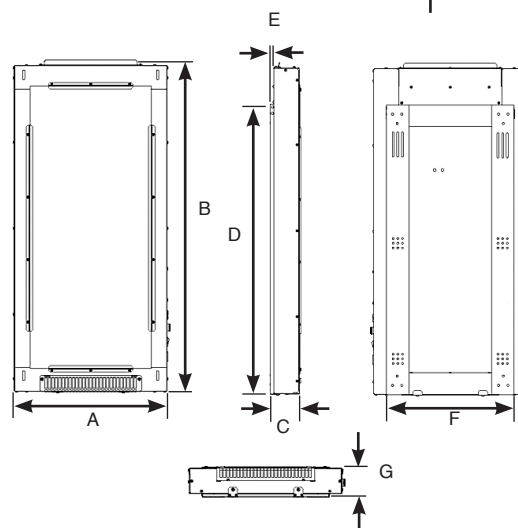
**PACKING CHECKLIST**

Appliance Description	Fixing Kit containing:
<b>Studio 1</b>	1 x Instruction Manual
<b>Studio 2</b>	1 x Power Cable
<b>Studio 3</b>	4 x Screws
<b>Studio 22</b>	4 x Rawl plugs
	1 x Handset
	2 x Retention screws
	1 x Battery
	6 x Anti Vibration Clips

**STUDIO 1, 2 & 3**



**STUDIO 22**



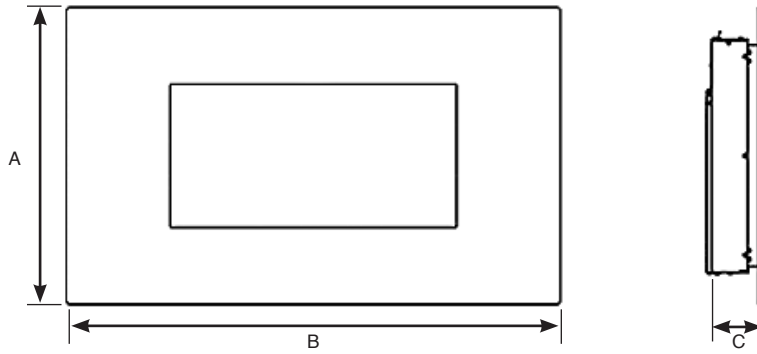
Model	A	B	C	D	E	F	G
Studio 1	822	549	87	416	12	739	98
Studio 2	1045	549	87	416	12	962	98
Studio 3	1430	553	99	456	12	1338	98
Studio 22	492	1062	87	929	12	409	98

# Installation Instructions

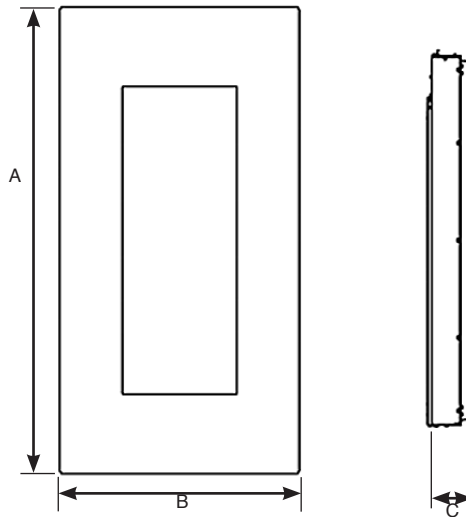
## Technical Specification

These dimensions cover the following frame models:

**STUDIO 1, 2 & 3**



**STUDIO 22**



**Verve Frame**

Model	A	B	C
Studio 1	640	1320	155
Studio 2	240	1520	160
Studio 3	640	1900	194
Studio 22	1320	676	156

**Glass Frame**

Model	A	B	C
Studio 1	675	1120	118
Studio 2	675	1320	118
Studio 3	665	1700	130
Studio 22	1320	675	118

**E-motiv Frame**

Model	A	B	C
Studio 1	675	1120	133
Studio 2	675	1320	133
Studio 3	675	1710	133
Studio 22	1320	675	133

**Evolve Frame**

Model	A	B	C
Studio 1	540	1000	144
Studio 2	640	1200	144
Studio 3	640	1590	+87
Studio 22	1200	640	144



# Installation Instructions

## 1. General

### 1.1 TOOLS REQUIRED

A Screw Driver, Spirit Level and Drill will be needed.

### 1.2 UNPACKING THE FIREPLACE

**WARNING! DO NOT use this appliance if any part has been exposed to water.**

Immediately call a qualified service technician to inspect and to replace any part of the electrical system if necessary.

- 1.3 Open the packaging carefully and remove the polystyrene. Remove and discard the plastic bag. Keep plastic wrapping away from children. Be responsible when handling the packing materials.

- 1.4 Check all parts and accessories are removed before disposing of any packaging. If necessary keep the original packaging for future transport and/or storage.

## 2. Fitting the Appliance

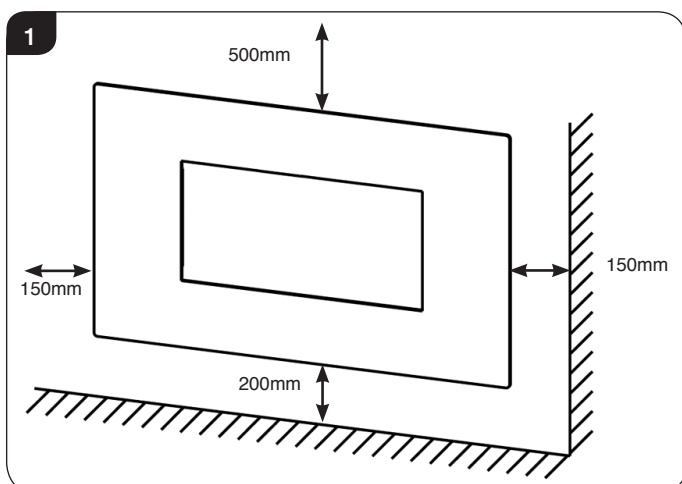
### 2.1 Locating The Studio Electric

Your new Studio Electric may be installed virtually anywhere in your home. However, when choosing a location ensure that the general instructions are followed.

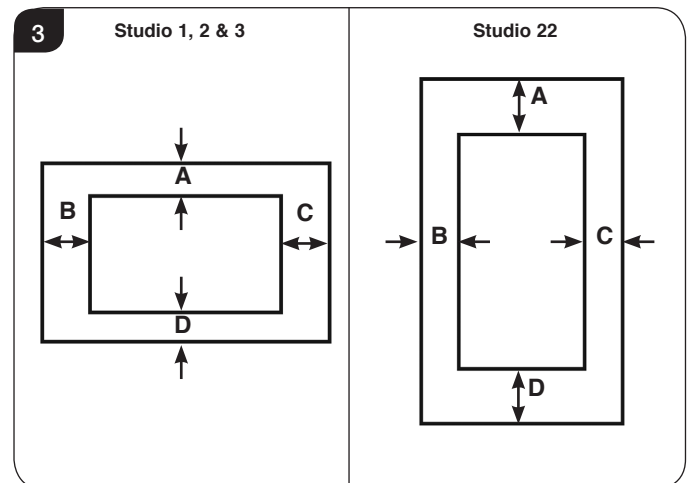
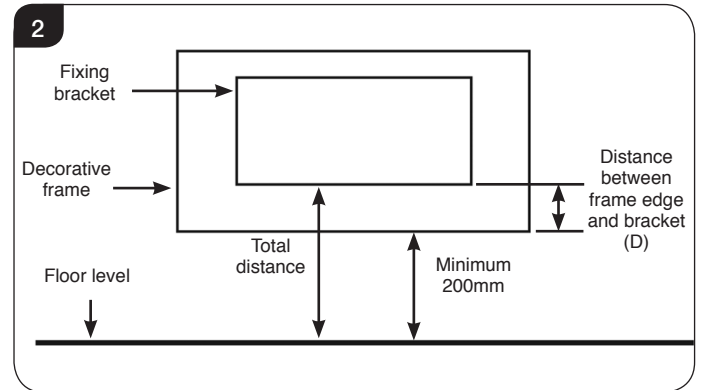
- 2.2 For best results, install out of direct sunlight.
- 2.3 If the power cord is damaged, it must be repaired by the manufacturer, its authorized service centre or professional person.
- 2.4 The appliance should be located close to a suitable mains socket to enable connection. The electrical socket must be easily accessible to allow disconnection when the appliance is fitted.

**WARNING! KEEP ANY COMBUSTIBLE MATERIALS AT LEAST 1M FROM THE FRONT AND SIDES OF THE ELECTRIC FIREPLACE.**

- 2.5 Prior to installation ensure the minimum clearances are observed, see Diagram 1.



- 2.6 Decide on the height from the floor level to the bottom of the decorative frame (minimum of 200mm). Add the desired distance between the bottom of the frame and floor level to the frame dimension 'D' in Diagram 3 (see table over page) to achieve the total distance in Diagram 2. This will give the required height to the underside of the wall mounting bracket.



Verve Front (in mm)				
Model	A	B	C	D
Studio 1	45	250	250	55
Studio 2	45	240	240	55
Studio 3	158	332	332	158
Studio 22	155	95	95	155

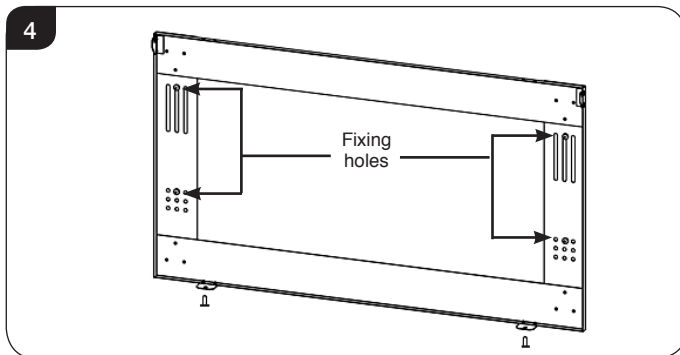
Glass Front (in mm)				
Model	A	B	C	D
Studio 1	75	150	150	75
Studio 2	75	150	150	75
Studio 3	175.5	237	237	175.5
Studio 22	145	95	95	145

# Installation Instructions

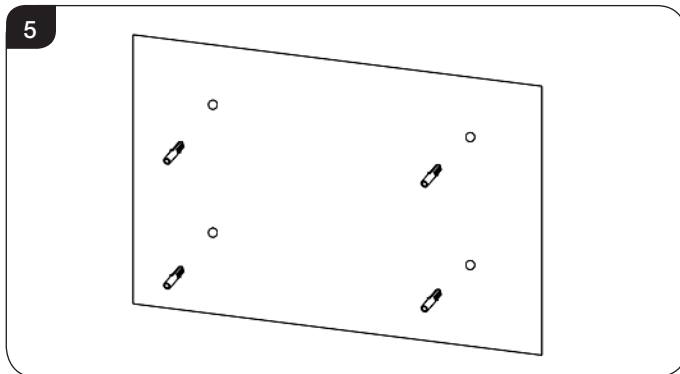
Evolve				
Model	A	B	C	D
Studio 1	158	175	175	158
Studio 2	158	175	175	158
Studio 3	158	175	175	158
Studio 22	175	158	158	175

E-motiv				
Model	A	B	C	D
Studio 1	175.5	235	235	175.5
Studio 2	175.5	235	235	175.5
Studio 3	175.5	235	235	175.5
Studio 22	235	175.5	175.5	235

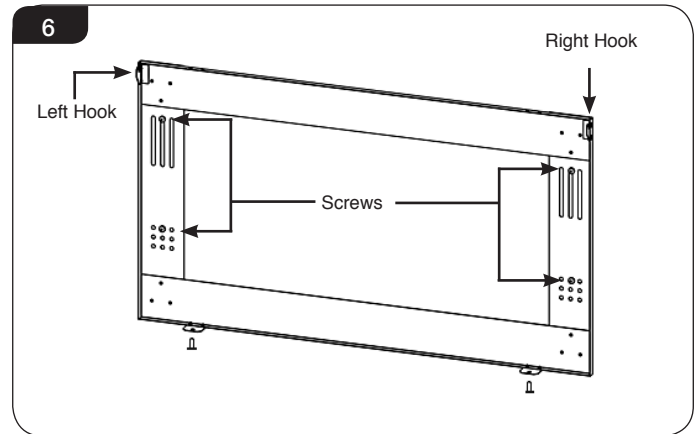
- 2.7 To prepare the installation measure the distance from floor level and draw a line on the wall using a spirit level.
- 2.8 Position the wall mounting bracket so that the bottom edge is level with the line drawn on the wall. Mark the position of the four fixing holes on the wall, see Diagram 4.



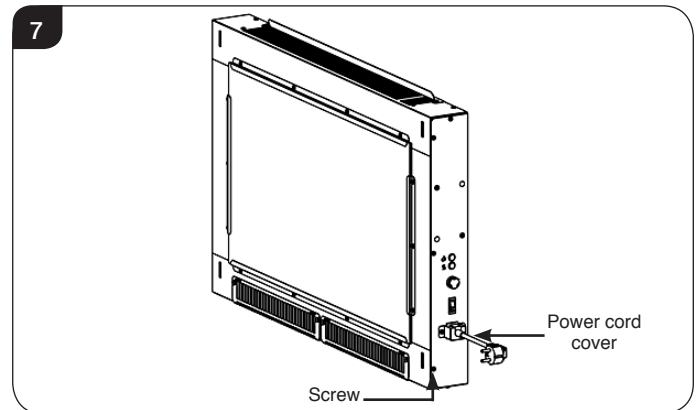
- 2.9 Drill the 4 holes and insert the rawlplugs provided. Note: The rawlplugs supplied are suitable for solid wall applications. If it is intended to mount the appliance onto plasterboard or hollow walls suitable fixings must be used, see Diagram 5.



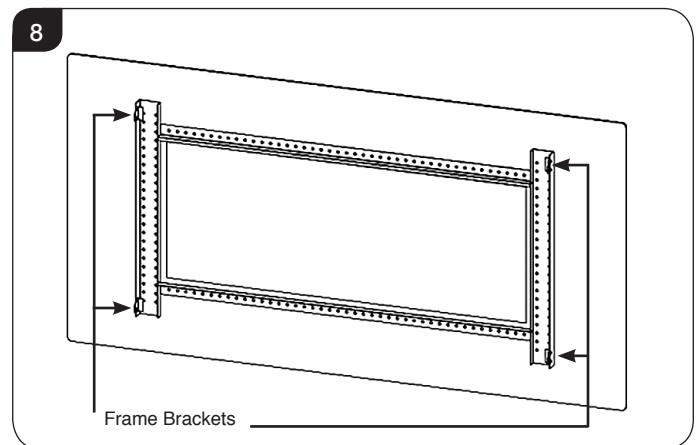
- 2.10 Attach the bracket to the wall using the screws provided ensuring the hooks are at the top, see Diagram 6.



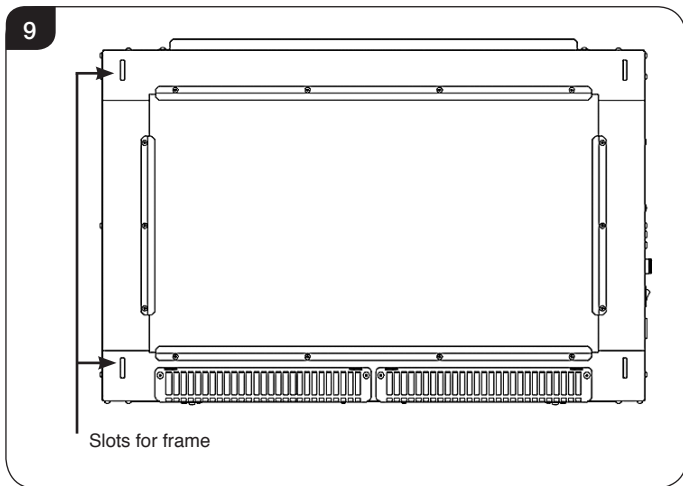
- 2.11 Lift the engine onto the bracket. Insert the hooks into the slots on the back of the engine and secure with two screws at the base of the bracket.
- 2.12 Attach the power cord to the engine and secure the power cord cover with the screws provided, see Diagram 7.



- 2.13 Insert the hooks on the back of the frame into the slots on the front of the engine and lower to secure in place, see Diagrams 8 & 9.



# Installation Instructions



## Verve Frame:

The Verve frame is supplied with a bag of optional decorative stones.

These may be placed on the lip at the bottom of the frame in front of the effects screens and do not affect the operation of the appliance.

# Servicing Instructions

## 1. Fault Finding

### No illumination or uneven lighting:

- 1.1 Check the fan is working. If YES, one or more of the LED boards will need replacing. This must be undertaken by a suitably qualified person (see *Servicing Requirements*).
- 1.2 If NO, first change the 13amp fuse for one known to work. If the fire still does not work, check the socket by plugging in a working appliance. If this too fails to operate, call in a competent electrician to check the socket.

### Illumination but no heat:

- 1.3 The safety cut-out has operated to protect against overheating (see *User Instructions, Section 2*). Ensure the air inlet and outlet grilles are free of dust or any other obstruction.
- 1.4 The thermostat control dial may be set too low. Turn the dial clockwise until the heater turns on.

### Remote control fails to work:

- 1.4 Check that the batteries are new and correctly fitted. Replace if necessary.
- 1.5 Ensure that the handset is pointed towards the fire.

## 2. How to wire a plug

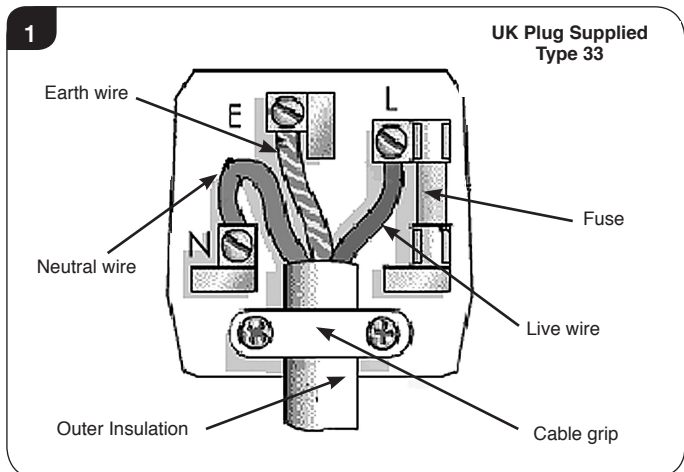
To change the plug supplied with this fire, follow the instructions below. The instructions assume that the wire has been cut.



**WARNING – FAILURE TO CONNECT THE WIRES CORRECTLY COULD PUT PEOPLE AT RISK FROM ELECTRIC SHOCK OR FIRE. IF IN DOUBT CONSULT A QUALIFIED ELECTRICIAN.**

### UK Plug

Suitable for use in Cyprus, Malta, Ireland & Great Britain

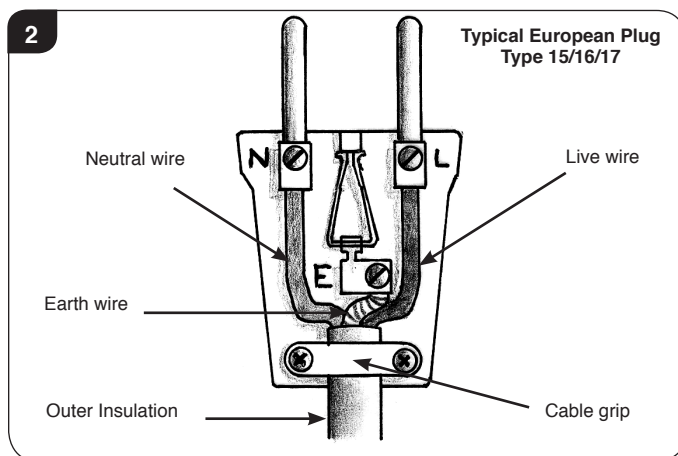


Live Wire	Brown	Terminal L / RED
Neutral Wire	Blue	Terminal N / BLACK
Earth Wire	Green & Yellow Stripes	Terminal E /  / GREEN or GREEN & YELLOW

### THIS APPLIANCE MUST BE EARTHED

### European Plug

Suitable for use in Austria, Belgium, Bulgaria, Czech Republic, Denmark, Estonia, Finland, France, Greece, Hungary, Germany, Italy, Latvia, Lithuania, Luxembourg, Netherlands, Poland, Portugal, Romania, Slovakia, Slovenia, Spain & Sweden



- 2.1 Dispose of the old plug safely. Ensure the new plug is not cracked or chipped.
- 2.2 Expose 4cm of the coloured wires and trim to the correct lengths so that they comfortably reach the correct terminals.
- 2.3 Ensure that the Earth wire has more slack than any of the other wires.
- 2.4 Remove some of the insulation to leave about 1cm of exposed metal core on each wire.
- 2.5 Twist the strands of the wire together.
- 2.6 Loosen the screw heads above each terminal.
- 2.7 Push the metal wire into the hole beneath each screw head or, dependent on plug design, wind the metal wire around the screw.
- 2.8 Ensure that the insulation reaches right up to each terminal as illustrated and there are no loose strands of wire.
- 2.9 Ensure the cable sits correctly under the cable grip and tighten to secure.
- 2.10 Refer to *Technical Specification* for fuse rating and fit the appropriate fuse into the plug.
- 2.11 Attach the plug cover.

# Servicing Instructions

## 3. Servicing Requirements

**THIS APPLIANCE MUST ONLY BE SERVICED BY A SUITABLY QUALIFIED PERSON.**

**BEFORE UNDERTAKING ANY WORK ON THE APPLIANCE: SWITCH OFF THE APPLIANCE AND ISOLATE IT FROM THE MAINS BY UNPLUGGING THE UNIT.**

3.1 Wait for at least 10 minutes until the appliance has cooled down.

### 3.2 Remote Handset Battery Replacement

Replace with a CR2032 battery. Make sure the battery is installed correctly in the remote control.

### 3.3 Maintenance of Motors

The motors used on the fan and flame effect are pre-lubricated for extended bearing life and require no further lubrication. However, periodic cleaning/vacuuming of the fan/heater unit is recommended.

### 3.4 Resetting the Thermal Cutout Switch

The appliance is fitted with an Electronic Safety Control (E.S.). This is a safety device which switches off the fire if the appliance overheats for any reason e.g. when covered.

If the heater stops operating whilst the flame effect continues normally, this indicates that the E.S. Control is in operation.

The E.S. Control can only be re-set after the appliance has cooled down.

To re-set the E.S.:

Switch off the appliance (Manual On/Off switch) and leave for approximately 10-15 minutes.

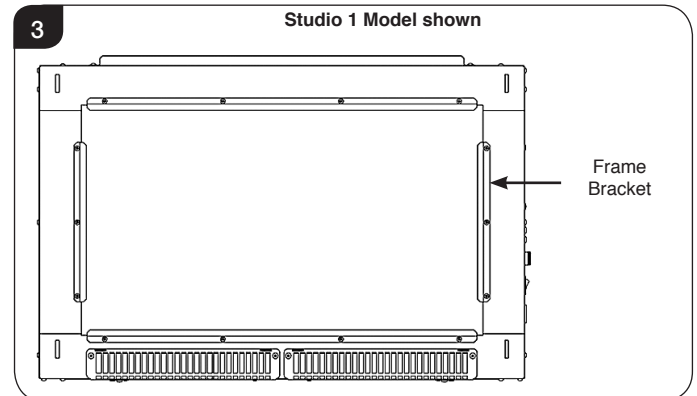
Remove any obstruction to the fan heater outlet or other internal parts.

Switch on appliance and the E.S. Control will re-set. Ensure that the appliance is functioning correctly. If the E.S. Control operates again, the appliance should be checked by a competent Electrician.

## 4. Removing the Screens

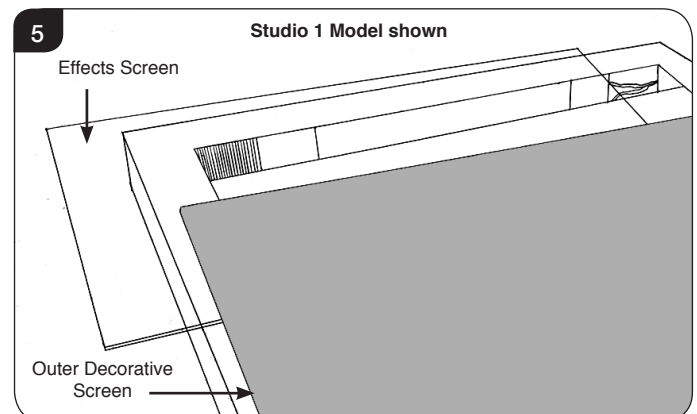
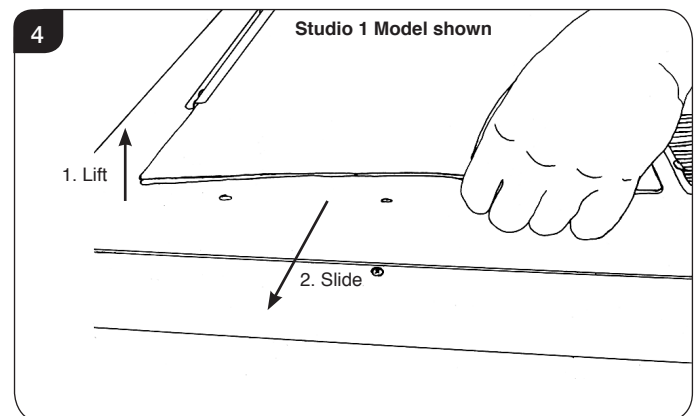
### All Models

4.1 Unscrew one side of the brackets on the front of the engine, see Diagram 3.



4.2 Loosen or remove the remaining brackets in order to slide off the outer decorative and effect screens. Using two hands remove the screens, see Diagrams 4 & 5.

**Take care if sliding not to scratch the surface of the screens or this will spoil the effect of the appliance.**



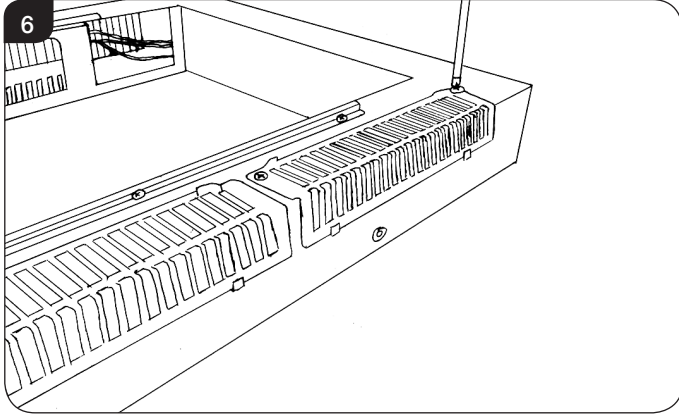
4.3 Carefully set screens to one side to avoid damage.

# Servicing Instructions

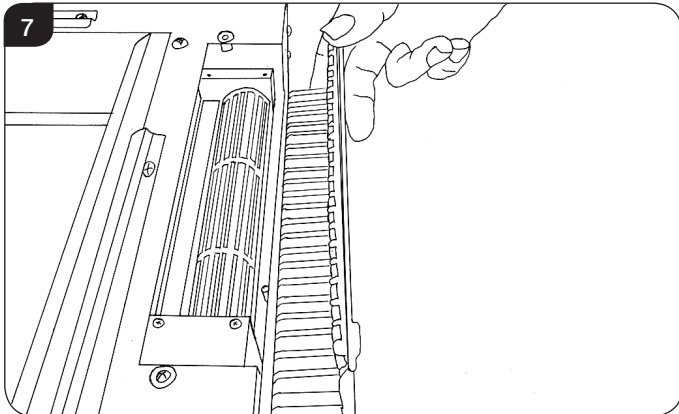
## 5. Removing the Filter Covers

### Studio 1, 2 & 22

5.1 Remove the screws securing the front filters, see Diagram 6.



5.2 Lift off and place carefully to one side, see Diagram 7.



### Studio 3

5.3 The filter cover is part of the casing therefore they can not be removed.

## 6. Replacing the Flame Effect LED Board

### Studio 1, 2 & 22

6.1 Remove the screens on the front of the appliance. See Section 4.

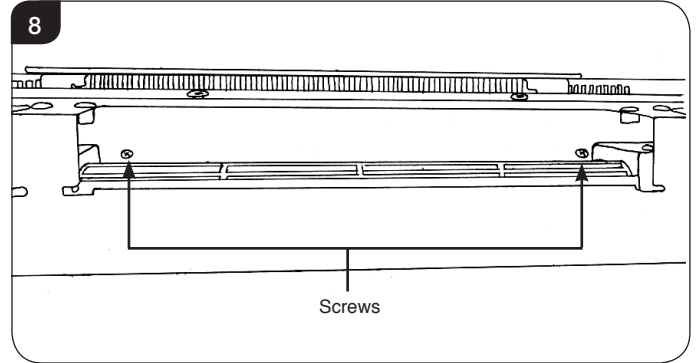
### Studio 1, 2

6.2 Remove the filter covers. See Section 5.

6.3 With the appliance lying down on a flat surface remove the screws holding the flame effect to the base, see Diagram 8.

**Studio 1:** There are three screws in total: 2 in the larger fan unit and one in the smaller one.

**Studio 2:** There should be four screws in the larger fan units and one in the smaller ones.



6.4 Stand the unit back up and remove the screws securing the flame effect from inside the appliance.

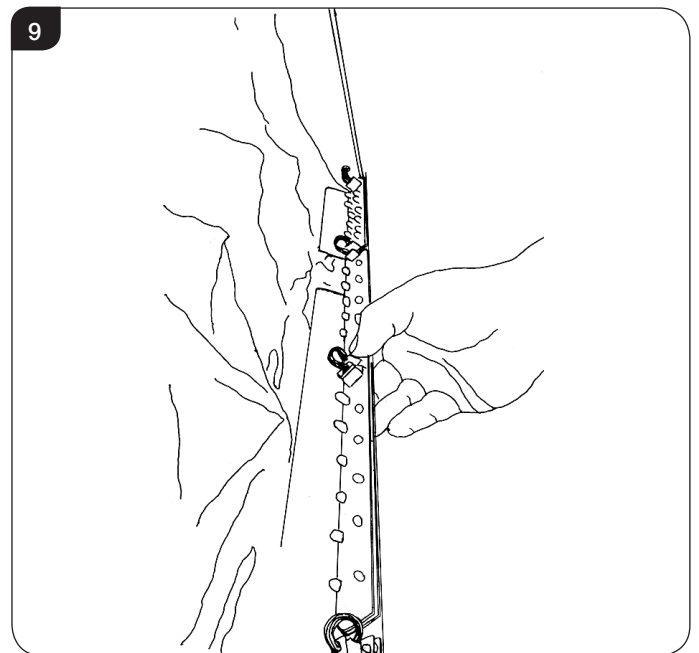
6.5 Unplug the wires connecting to the LED boards.

**Studio 1:** These are situated on the left and right hand sides of the fan units.

**Studio 2:** These are situated on the right hand side of the right fan unit.

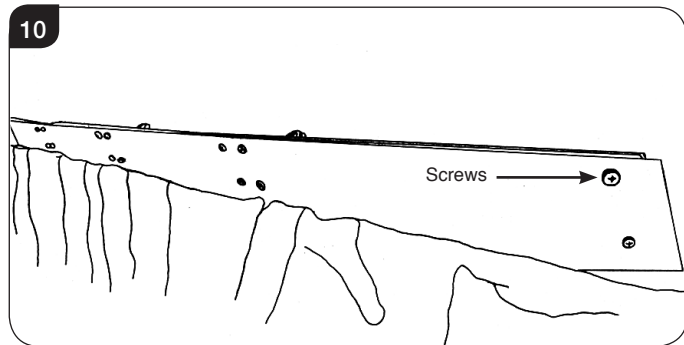
Disconnect the wires and if working on an appliance with multiple connections take care to note the orientation.

Lift the cloth clear of the unit, see Diagram 9. This can be rested on top of the appliance whilst it is being worked on.

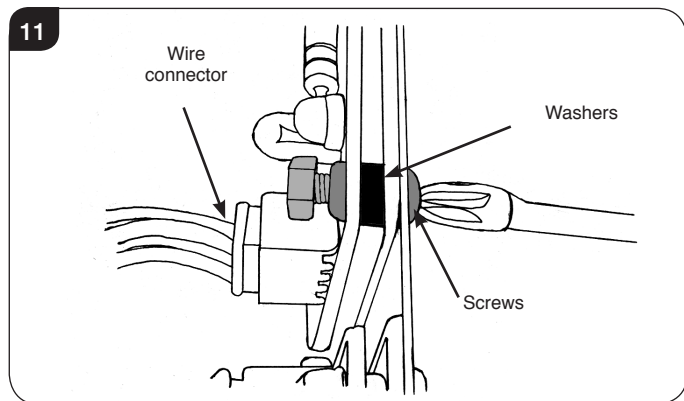


# Servicing Instructions

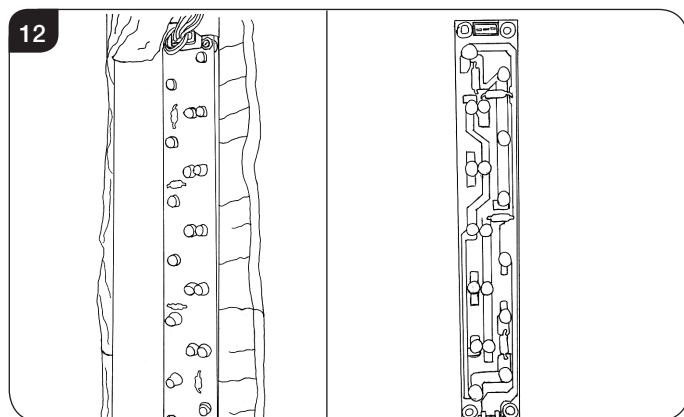
6.6 The LED boards are held on to the mountings by several small screws underneath, see Diagram 10.



6.7 Remove the screws and washers and place carefully to one side for reuse later, see Diagram 11.  
NOTE: These parts are extremely small and delicate so care must be taken not to lose or damage them.



6.8 Unplug the LED boards noting their orientation .

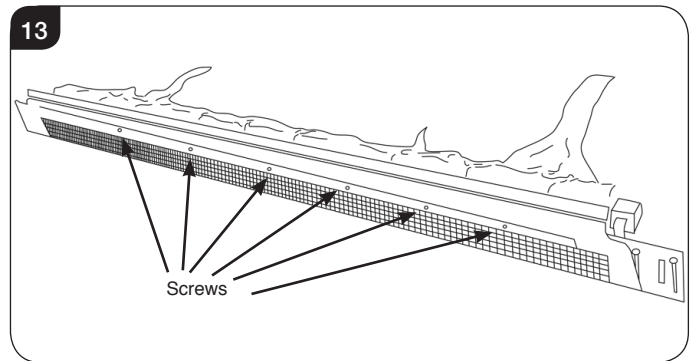


6.9 Dispose of any old boards at an appropriate recycling centre.

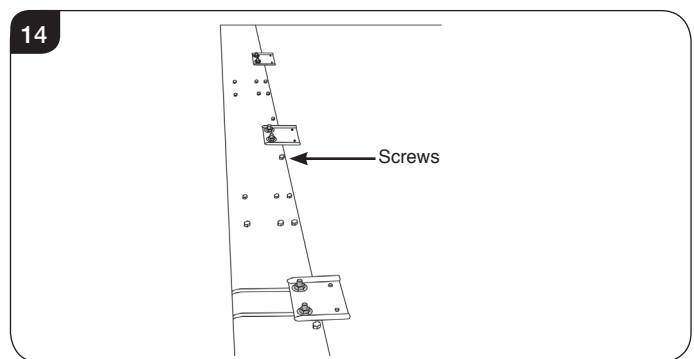
## Studio 3

6.10 Remove the screens on the front of the appliance. See Section 4.

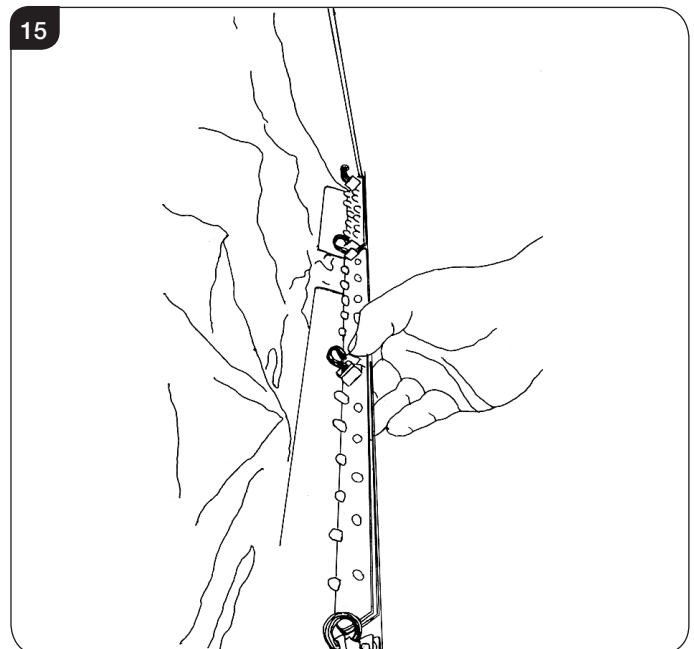
6.11 Remove the 6 screws from the front underside of the appliance, see Diagram 13.



6.12 Remove the 10 self tapping screws that secure the Effects bar to the back of the appliance, see Diagram 14.

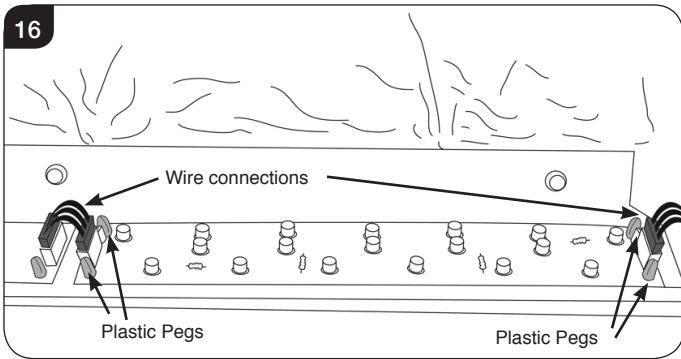


The whole LED and Silk can now be removed to give access to the fixings, see Diagram 15.



6.13 Using a pair of long nosed pliers remove the board from the plastic pegs securing it to the fan assembly, see Diagram 16.

# Servicing Instructions

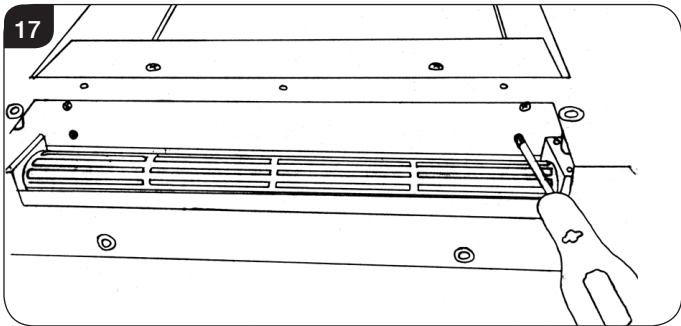


6.14 Replace in reverse order.

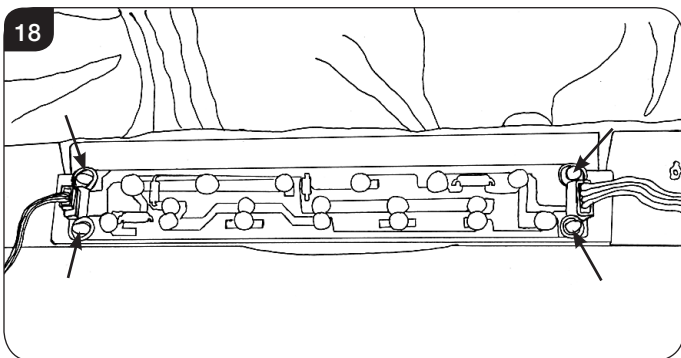
## Studio 22

6.15 Remove the filter covers. See Section 5.

6.16 Remove the screws securing the LED board to the base of the appliance, see Diagram 17.



6.17 Note the orientation of the LED board and the connecting plugs. Using a pair of long nosed pliers remove the board from the plastic pegs securing it to the flame effect cloth, see Diagram 18.



6.18 Replace in reverse order.

## 7. Replacing the Effects Fans

### Studio 1, 2 & 22

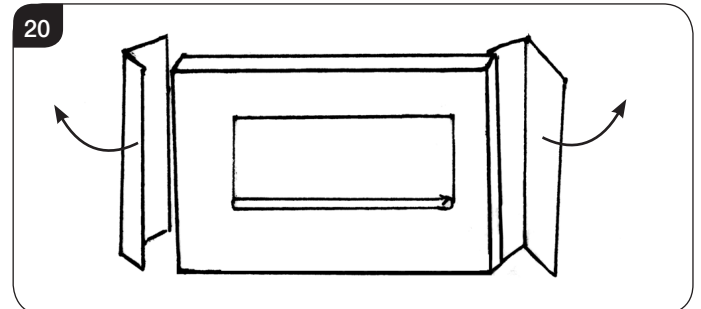
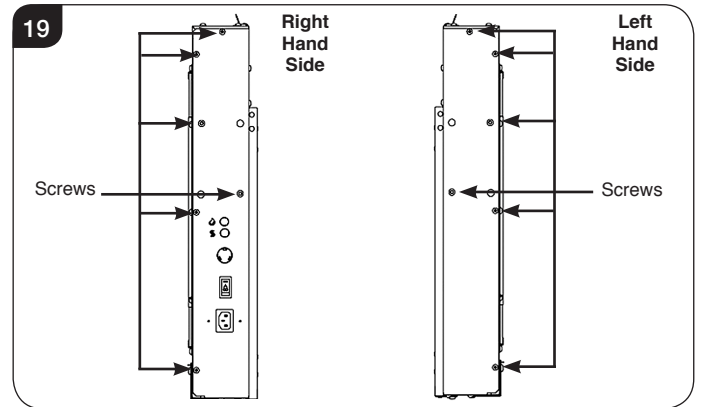
7.1 To remove the fan motors it will be necessary to remove:  
The decorative screens - see Section 4.  
The filter covers - see Section 5.

It will also be necessary to remove the LED strip. This can be done by following Section 6.

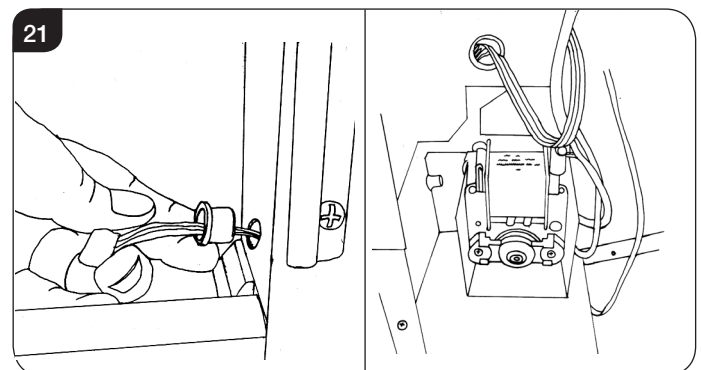
### Studio 1

7.2 With the LED board disconnected remove the screws in the base of the appliance that holds the fan bracket.

7.3 Remove the screws securing the side panels and open to show the interior electronics, see Diagrams 19 & 20



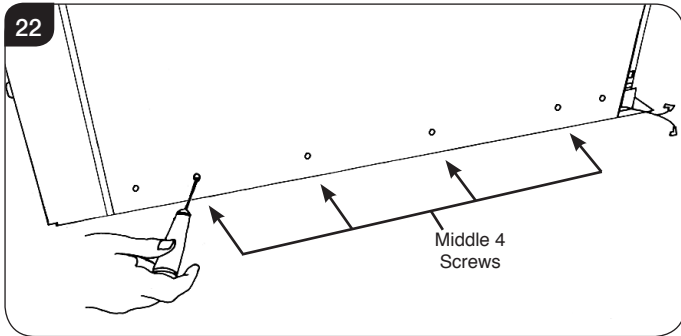
7.4 Remove the split grommet protecting the wires and feed the cable through the hole in the casing and disconnect the electric carefully making note of the orientation, see Diagram 21.  
Blue - Right  
Red - Left.



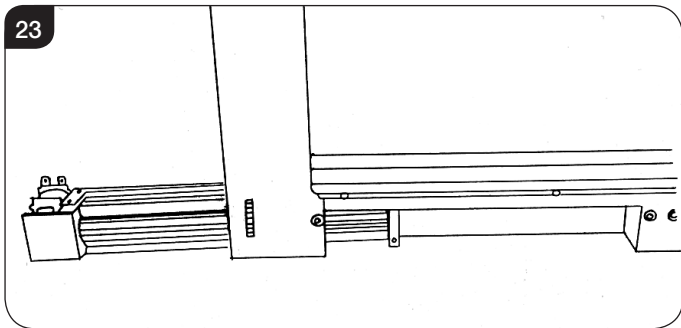


# Servicing Instructions

- 7.5 Stand the appliance back up and remove the 4 screws from the outside rear of the unit, see Diagram 22.



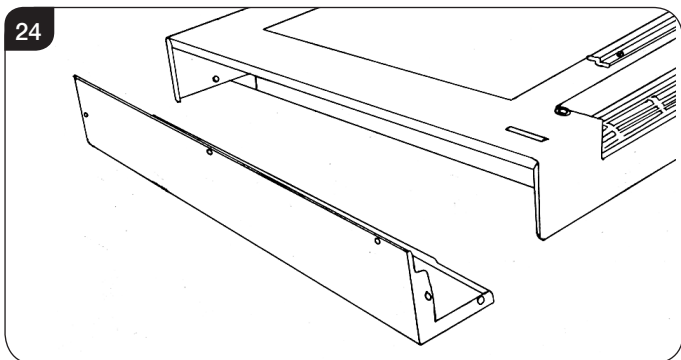
- 7.6 Slide the fan units out of the sides of the appliance, see Diagram 23.



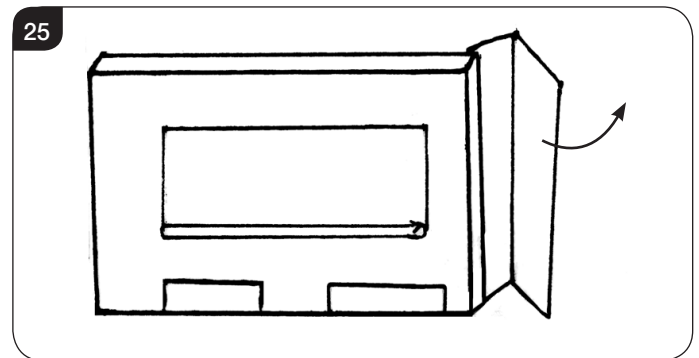
- 7.7 Replace fan units in the reverse order.  
**DO NOT OVER TIGHTEN SCREWS.**

## Studio 2

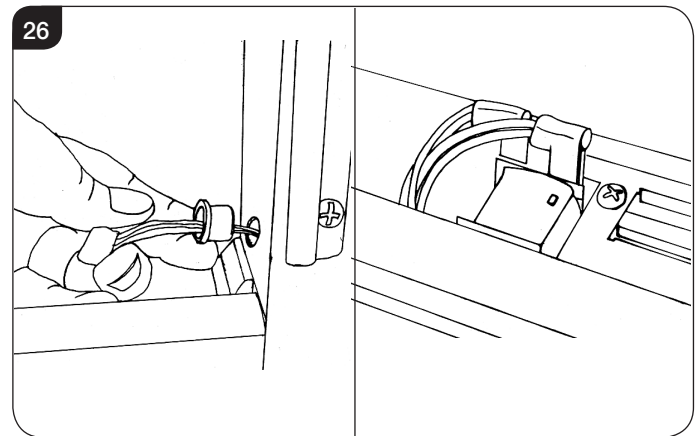
- 7.8 With the appliance stood up remove the screws on the sides and the top and bottom screws at the rear.
- 7.9 Remove the left hand panel to reveal the electronics, see Diagram 24.



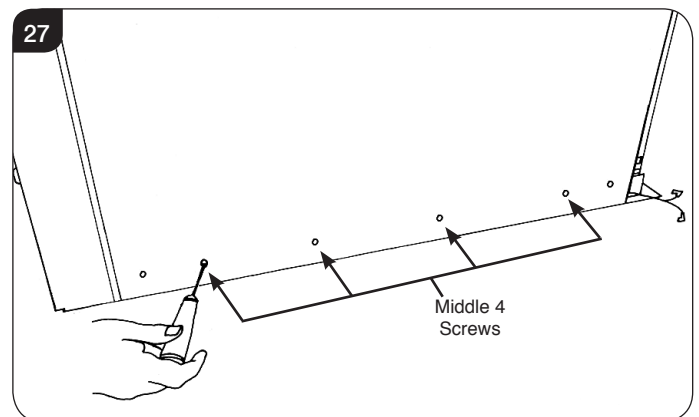
- 7.10 Stand the appliance upright and holding the right hand side turn the casing through 90 to reveal the appliance controls, see Diagram 25.



- 7.11 Remove the split grommet protecting the wires and feed the cable through the hole in the casing and disconnect the electric carefully making note of the orientation, see Diagram 26.  
Blue - Right  
Red - Left.

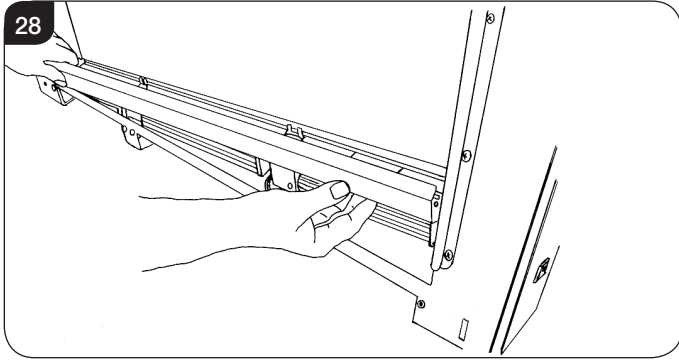


- 7.12 Taking care to ensure no damage is caused to the effects curtain, lie the appliance flat and remove the bottom screen bracket and front two screws (left and right).
- 7.13 Stand the appliance back up and remove the 4 screws from the back of the unit, see Diagram 27.



# Servicing

7.14 Lift the fan units out of the appliance, see Diagram 28.



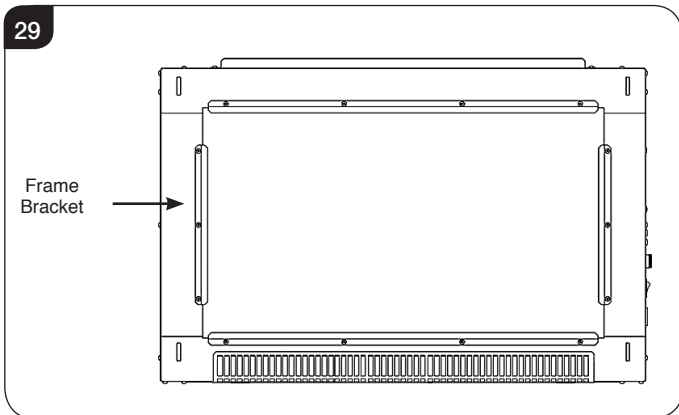
7.15 Remove the screws securing the fan units to the bracket.

7.16 Replace fan units in the reverse order.  
DO NOT OVER TIGHTEN SCREWS.

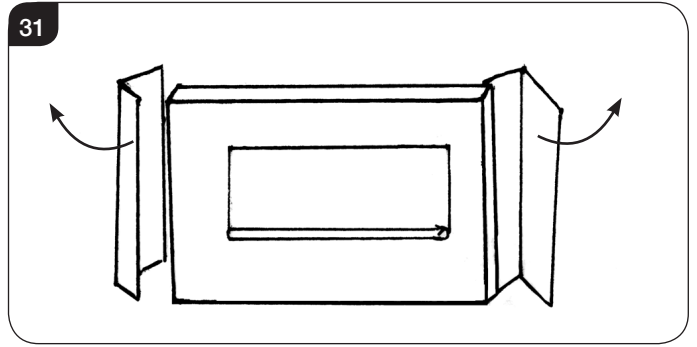
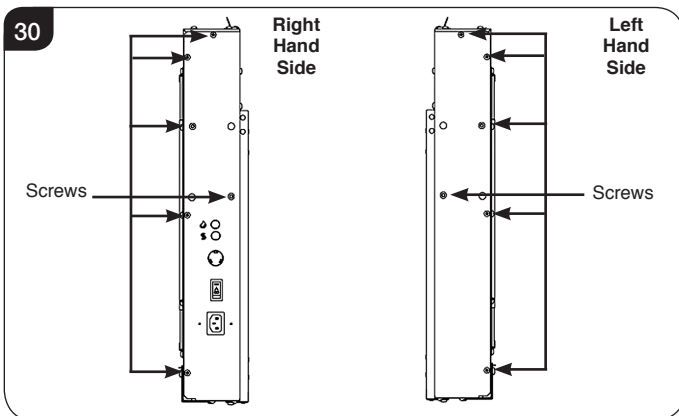
## Studio 3

7.17 To remove the fan motors it will be necessary to remove the decorative screens - See Section 4.

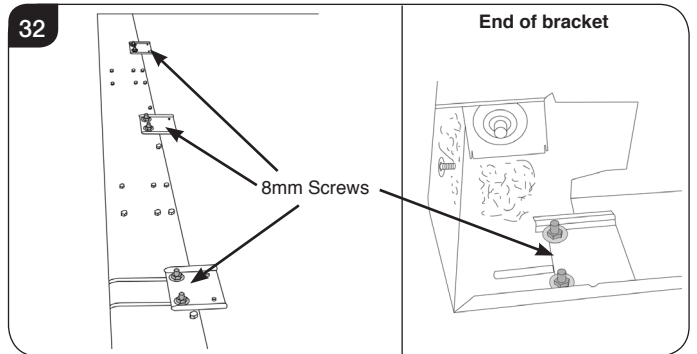
7.18 Remove the left hand side bracket, see Diagram 29.



7.19 Remove the screws securing the side panels and open to show the interior electronics, see Diagrams 30 & 31.



7.20 Carefully lie the appliance front down on a flat surface and remove the 8mm nuts, see Diagram 32.

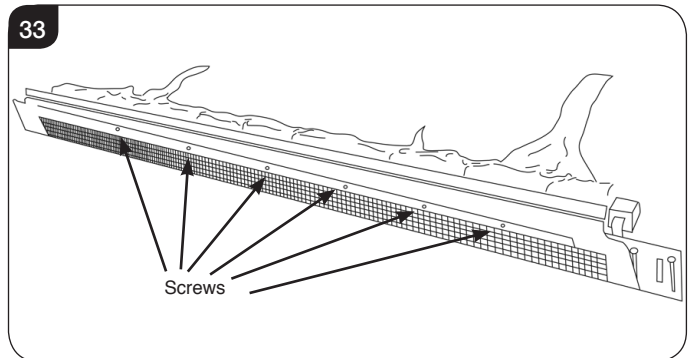


7.21 Remove the 4 screws attaching the silk bar.

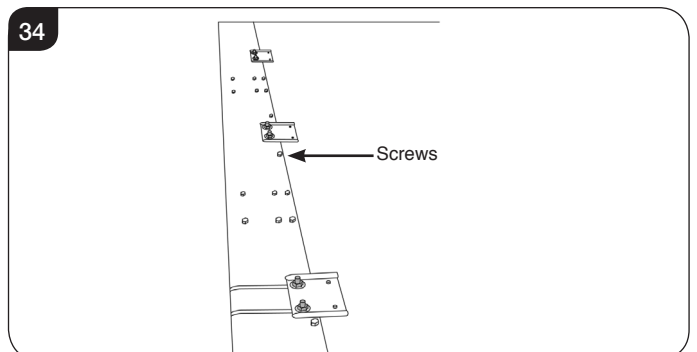
7.22 Disconnect the fan from the PCB.

7.23 Remove the fan assembly unit.

7.24 Remove 6 screws and gently lift away the lower frame bracket, see Diagram 33.

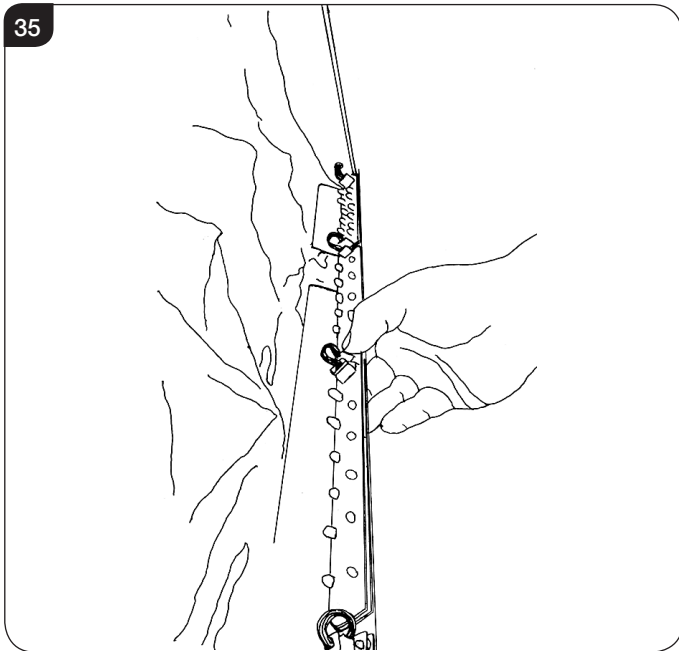


7.25 Remove the 10 self tapping screws that secure the Effects bar to the back of the appliance, see Diagram 34.

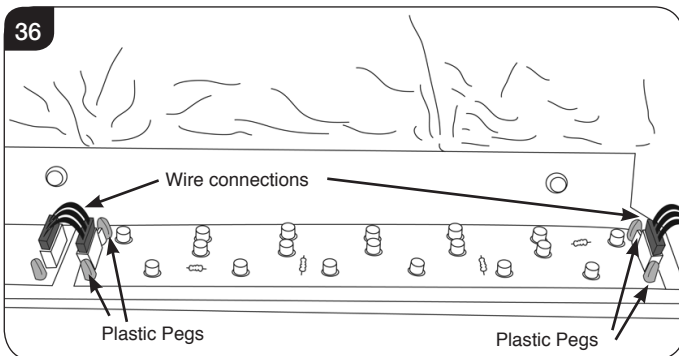


# Servicing

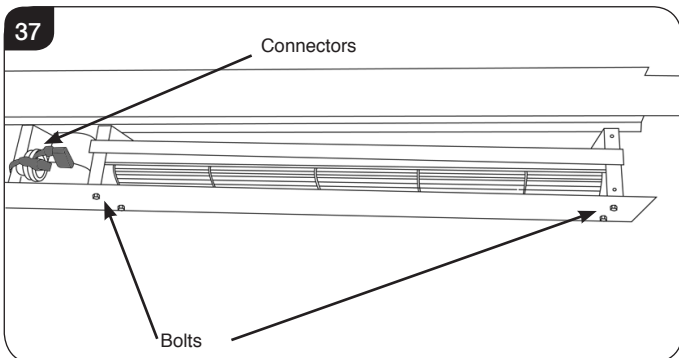
The whole LED and Silk can now be moved to give access to the fixings, see Diagram 35.



7.26 Using a pair of long nosed pliers remove the board from the plastic pegs securing it to the fan assembly, see Diagram 36.



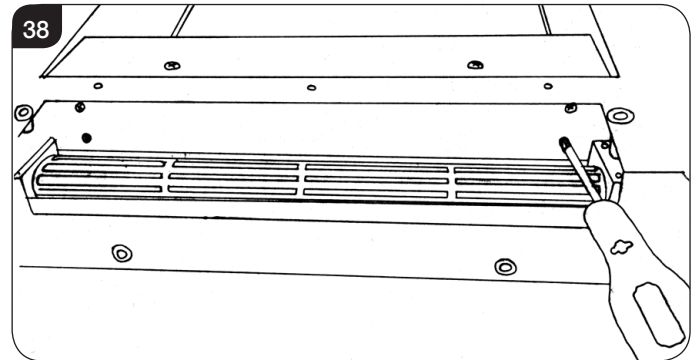
7.27 Remove the fan from the unit by removing the 4 screws and the connectors, see Diagram 37.



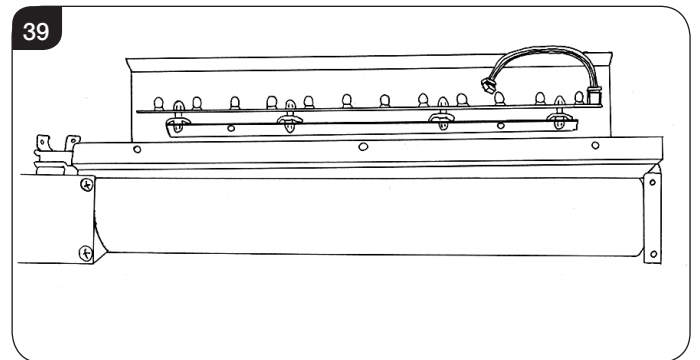
Replace in reverse order.

## Studio 22

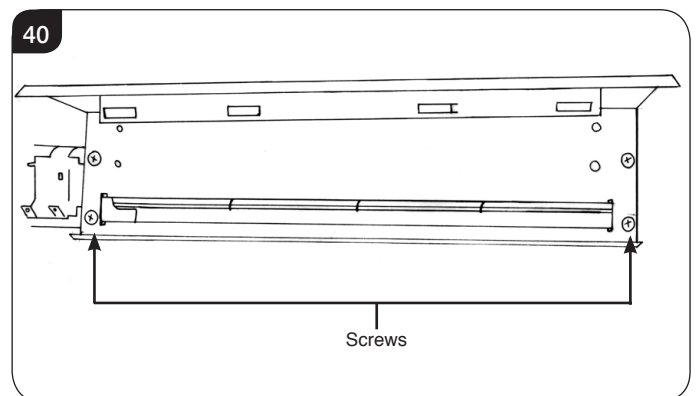
7.28 Remove the four screws securing the fan unit to the base of the appliance, see Diagram 38.



7.29 Remove the screws in the side panel and lift the fan unit out of the appliance, see Diagram 39.



7.30 Remove the Upper & Lower LED boards from the fan and remove fan from the bracket by removing the screws in the top, see Diagram 40.



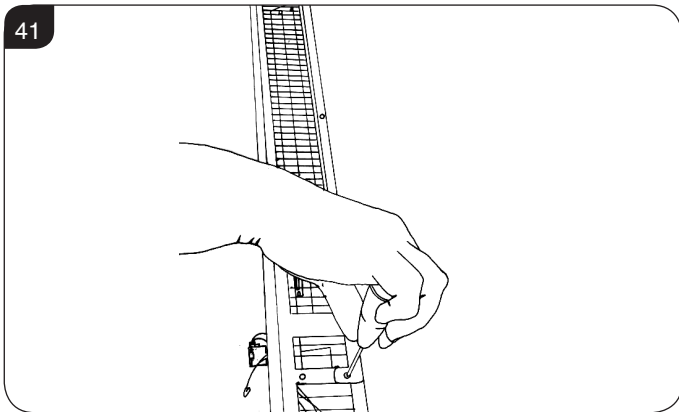
7.31 Replace in reverse order.

# Servicing

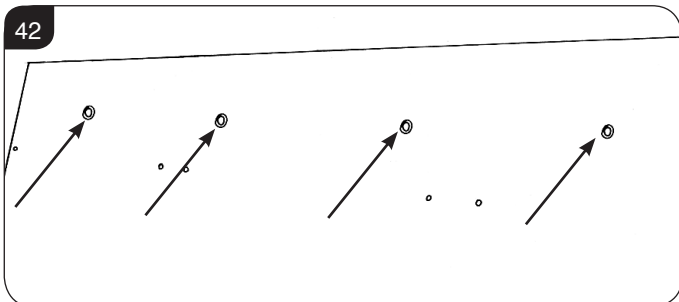
## 8. Replacing the Heating Element

### All Models

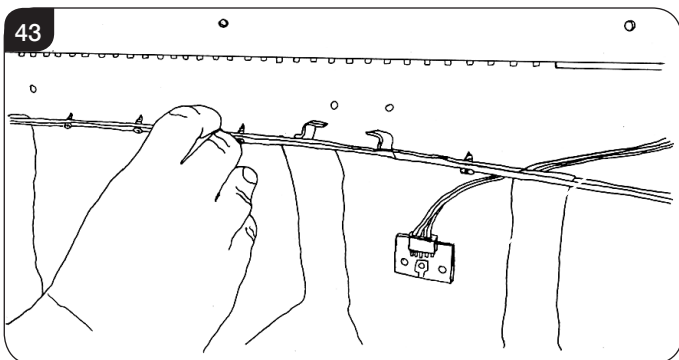
- 8.1 Before removing the element follow Section 4 - Removing The Decorative Screens and remove the top screen bracket.
- 8.2 Open the side panels - Section 7.
- 8.3 Remove the four screws on the top which secure the element cover, see Diagram 41.



- 8.4 Remove the screws on the back which secure the flame effect bracket, see Diagram 42.

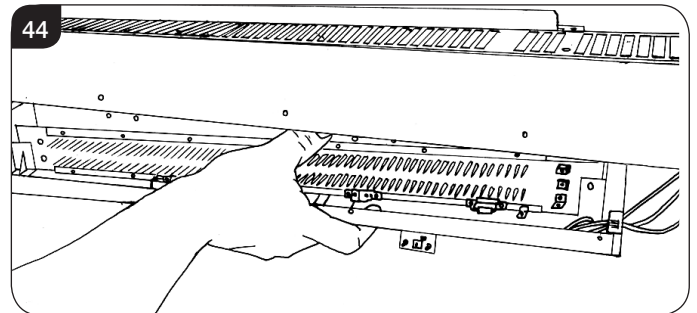


- 8.5 The flame effect can now be detached from the back of appliance and placed out of the working area, see Diagram 43.

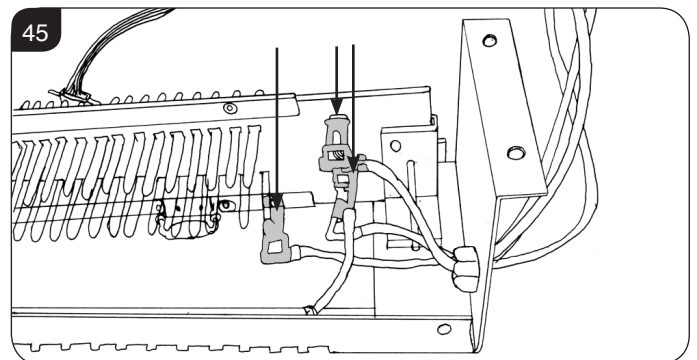


- 8.6 Lie the appliance flat on it's back once more and remove the two screws in the front of the appliance that hold the element in place.

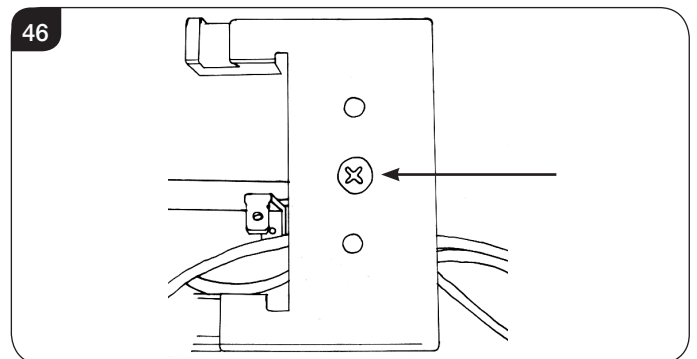
- 8.7 Ensure that the element is supported lift the appliance up-right and lower the element bracket, see Diagram 44.



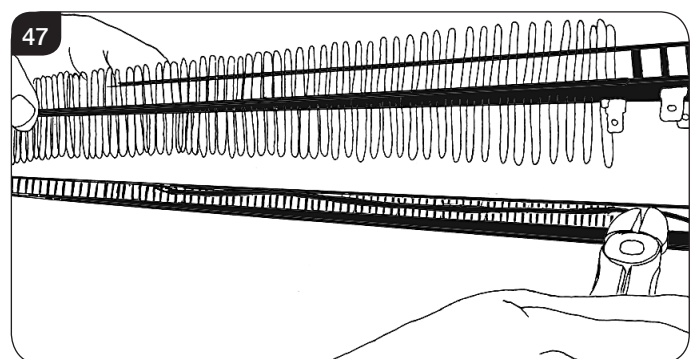
- 8.8 Carefully remove the wires on the right hand side using long nosed pliers making note of the wiring positions, see Diagram 45.



- 8.9 Remove the two screws on the underside of the element bracket (one at each end), see Diagram 46.



- 8.10 Taking a wire cutter carefully cut the 3 cable ties that hold the black wire of the element in place, see Diagram 47.  
**CAUTION: DO NOT CUT THE WIRE.**

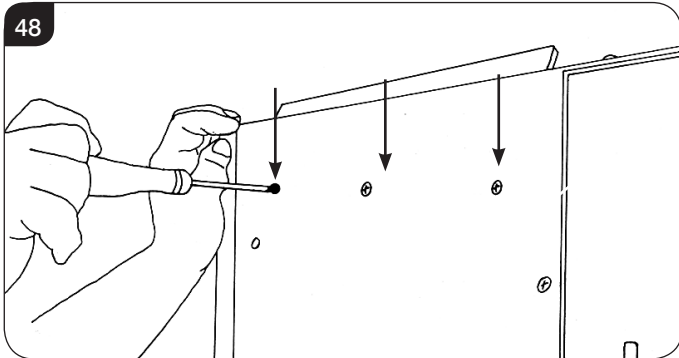


# Servicing

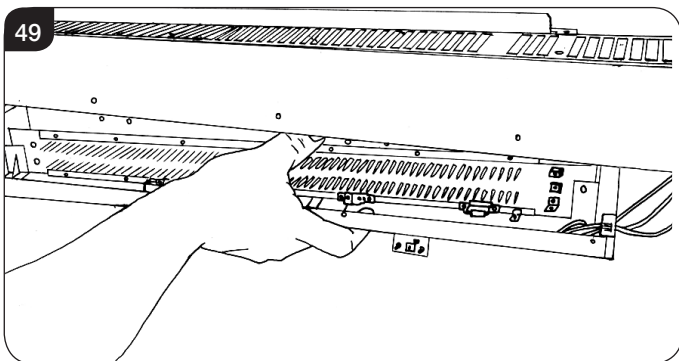
- 8.11 Remove the element.
- 8.12 Replace in reverse order.

## Studio 22

- 8.13 Remove the three screws on the back which secure the flame effect bracket, see Diagram 48.

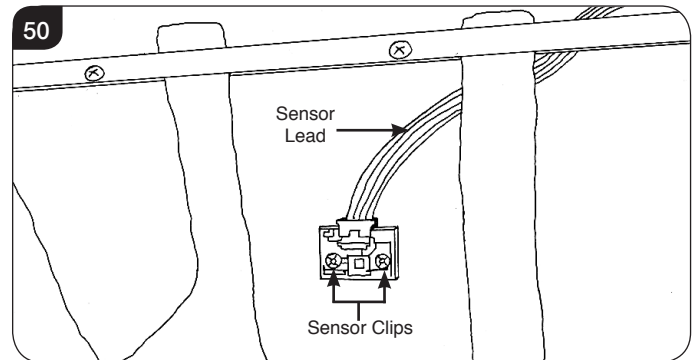


- 8.14 The flame effect can now be detached from the back of appliance and placed out of the working area.
- 8.15 Remove the screws that secure the side panel and top four screws that hold the element in place.  
**IMPORTANT:** You must support the element.
- 8.16 Open the side panel and pull the wires through carefully. Make a note of the wiring positions on the PCB unit and remove the wire. (Feed wires through and detach neutral).
- 8.17 Ensure that the element is supported lift the appliance upright and lower the element bracket, see Diagram 49.



## 9. Replacing the Remote Sensor

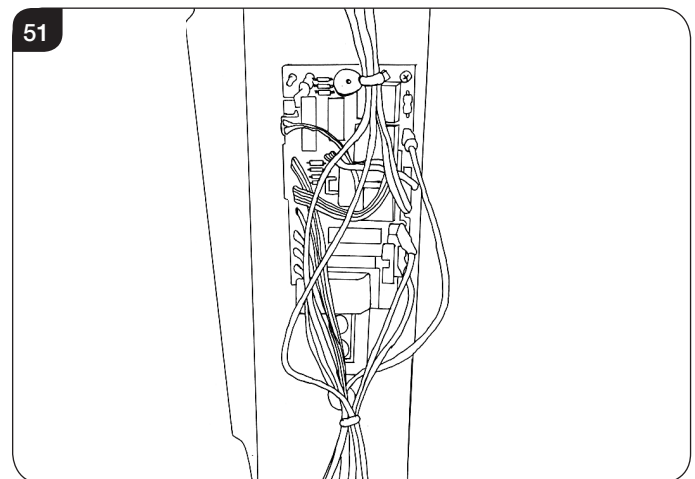
- 9.1 Follow section 4 to remove the decorative screens.
- 9.2 Disconnect the sensor lead and carefully move to one side, see Diagram 50.
- 9.3 Using a pair of long nosed pliers squeeze the clips that hold the sensor to the back of the appliance in order to release.



- 9.4 Remove the sensor and replace as required.

## 10. Replacing the PCB Unit

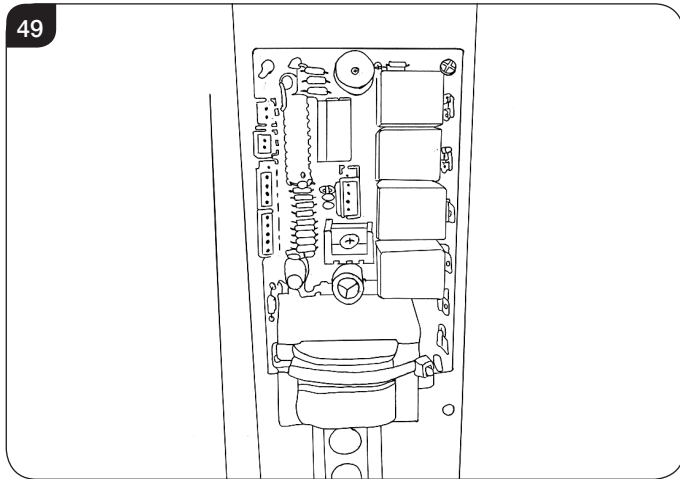
- 10.1 Remove the screws on the side of the unit with the control panel and open to reveal the PCB unit and the thermostat control board, see Diagram 51.



**IMPORTANT:** Make note of the wiring positions and ancillary molex component connectors before removing any connections.

- 10.2 With long nosed pliers squeeze the cable clips to carefully remove the wires from the PCB unit.
- 10.3 Unscrew the diagonal fixings and carefully remove the PCB unit, see Diagram 52.

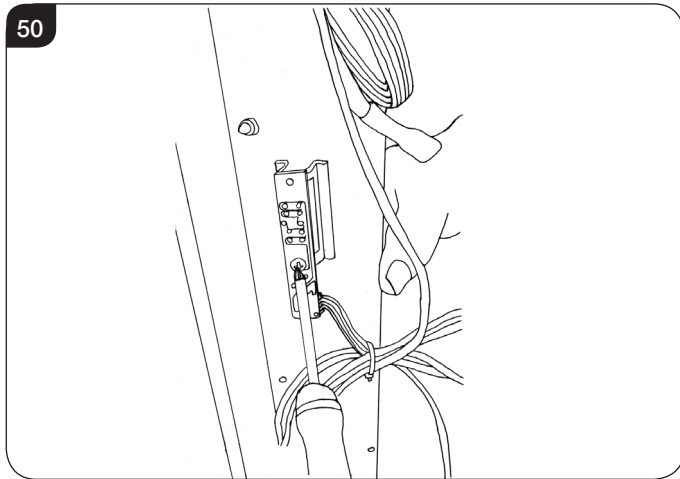
# Servicing



- 10.4 Replace in reverse order ensuring the connections are put back in exactly the same configuration as was originally found.

## 11. Replacing the Thermostat Control Board

- 11.1 Remove the screws on the side of the appliance with the control panel and open to reveal the PCB unit and the thermostat control board.
- 11.2 Undo the screws on the back of the board and unclip the connector to remove the board, see Diagram 50.



- 11.3 Replace in reverse order.

# Spare Parts List

Parts Description	Studio 1	Studio 2	Studio 3	Studio 22
Main Front Screen (Outer Decorative Screen)	PL0120	PL0122	PL0127	PL0124
Front Backing Screen	PL0121	PL0123	PL0128	PL0125
Top Heater Element	EL0518			EL0532
Light Effect LED	EL0520			EL0529 (Lower) EL0530 (Upper)
LED Spacers	EL0526		FA0667	EL0531
Main PCB	EL0523		EL0556	EL0523
IR Receiver Board	EL0522			EL0528
Thermostat Control Board	EL0524			
Power cable (UK only) Right Angle	EL0552			
Remote Battery	EL0492			
Remote Handset	EL0491			
Fan Assembly	EL0527 (left Hand) EL0519 (Right Hand)	EL0519 (Central) EL0525 (left Hand) EL0525 (Right Hand)	EL0533	EL0519
Rubber Fan Mount	FA0670			
White Granite Chippings (For Verve Frame)	CE0982	CE0983	CE1185	CE0981

**Gazco Limited, Osprey Road, Sowton Industrial Estate, Exeter, Devon, England EX2 7JG**  
**Technical Customer Services (01392) 261950 Fax: (01392) 261951**  
**E-mail: [technicalservices@gazco.com](mailto:technicalservices@gazco.com)**

A member of the Stovax Group