

bemodern

FIREPLACES & STOVES | BATHROOM FURNITURE

User Instructions for Remote Controlled 2kW Rotisserie Effect Fan Heater

These instructions should be read carefully and retained for future reference.

Important Notes

- These Instructions should be read carefully and retained for the future reference.
- This heater must not be located immediately below a fixed socket outlet.
- Do not use the heater in the immediate surrounds of a bath, a shower, or a swimming pool.
- Do not cover this heater, or obstruct the air inlet or outlet, otherwise there is a risk of overheating.
- The heater must be cooled down completely before any maintenance
- This heater must be fixed against a vertical surface.
- Under no circumstances should the heater be used as a free standing appliance.
- After unpacking, please make sure that the appliance is intact, with no signs of damage caused by transport. If in doubt, do not use the appliance and contact the Service Centre.
- During normal operation this appliance will emit noise from the internal fan unit.
- If the supply cord is damaged, it must be replaced by the manufacturer, its service agent or similarly qualified persons in order to avoid a hazard.
- This appliance is not intended for use by persons (including children) with reduced physical, sensory or mental capabilities, or lack of experience and knowledge, unless they have been given supervision or instruction concerning use of the appliance by a person responsible for their safety. Children should be supervised to ensure that they do not play with the appliance.
- Do not use this appliance as a primary heat source
- Certain carpets can be discoloured by heat. Ensure that furniture, curtains and other combustible materials are positioned no closer than 1m from the front of the fire.
- Do not stand the fire on the carpet – stand on a firm surface, which projects 250 mm (10 inches) beyond the front of the fire and is free of dust and lint.
- If this fire is supplied through an extension cable, please ensure that it is the only appliance plugged into the extension and that the instructions for the extension cable / reel are followed.
- CAUTION: In order to avoid a hazard due to inadvertent resetting of the thermal cut out, this appliance must not be supplied through an external switching device, such as a timer, or connected to a circuit that is regularly switched on and off by the utility.
- This appliance must be positioned so that the plug / fused spur is accessible
- In the event of a fault please disconnect the fire from the mains supply
- Warning: This appliance must be earthed.
- The wires in the mains lead connected to this appliance are coloured in accordance with the following code:

GREEN and YELLOW	Earth
BLUE	Neutral
BROWN	Live

As the colour of the wires in the mains lead of this appliance may not correspond with the coloured markings identifying the terminals in your plug, proceed as follows:

The wire which is coloured Green and Yellow must be connected to the terminal in the plug which is marked with the letter E or by the earth symbol or coloured Green or Green and Yellow.

The wire which is coloured Blue must be connected to the terminal which is marked with the letter N or coloured Black.

The wire which is coloured Brown must be connected to the terminal which is marked with letter L or coloured Red.

Technical Specification

Parts list

1. Long screws	4 pcs
2. Plastic wall plug	4 pcs
3. Remote Control Unit (Inc Battery)	1 Pc
4. Small Screws	4 pcs
5. Small wall Brackets	2 pcs

Technical Data

Model	36" and 42" Wall Hanging Suite
Voltage	AC 230-240V Fuse 13 amp
Frequency	50Hz
Power	1800 --2000W
Lamp	LED Unit

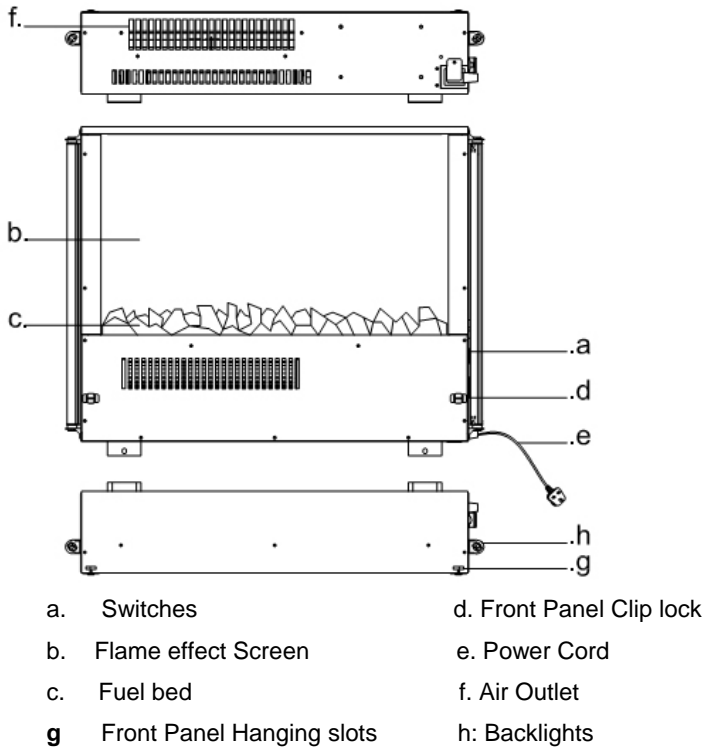
Fire Installation

Unpack the heater carefully and retain all packaging for future use. Ensure that all packing items are removed and read any warning labels carefully (see Maintenance Section).

The appliance must be positioned so that the plug is accessible. Only when you are certain that you have completed the installation should you plug in and switch on at the wall socket.

CAUTION: In order to avoid a hazard due to inadvertent resetting of the thermal cut out, this appliance **must not be** supplied through an external switching device, such as a timer, or connected to a circuit that is regularly switched on and off by the utility.

Description of the appliance (Fig. A)



Installation Procedure

- a) Affix the wall brackets to the lower part of the back of the fire unit using the 4 small screws as supplied.
- b) When you unpack the front panel, you will find a template. Attach the template carefully to the wall in the chosen position, taking note of the minimum clearance distance for each type of front panel stated on the template. (See diagram 4)
- c) Drill the 4 fixing position using an 8mm drill bit for the wall plugs supplied or drill the correct size for alternative chosen fixings if required for the type of wall. (See important note on page 2).
- d) Remove the template paper.
- e) Install the 2 top fixings into the wall and then install the 2 long screws, screwing them in so the underside of the screw head stands off the wall by 2 to 3 mm. (See Diagram 1).
- f) Locate the heater on the two keyhole slots in the back panel onto the 2 top fixing screws and secure the heater by fixing the remaining 2 long screws through the lower fixing brackets (See Diagram 2).
- g) To fit the front panel, raise the panel into position and locate the returns on the top of the two fixing brackets Diagram 3 into the corresponding hanging bracket slots on the top of the heater (See Diagram 3). Push the bottom of the front panel firmly into position on the lower clip locks.

Note: The lower support brackets must always be used so as to prevent the heater lifting from the wall mounting bracket.

IMPORTANT If the screws & wall plugs are not suitable for the type of wall, the fixings that are used must be strong enough to support the weight of the fire & the front panel.

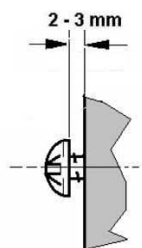


Diagram 1

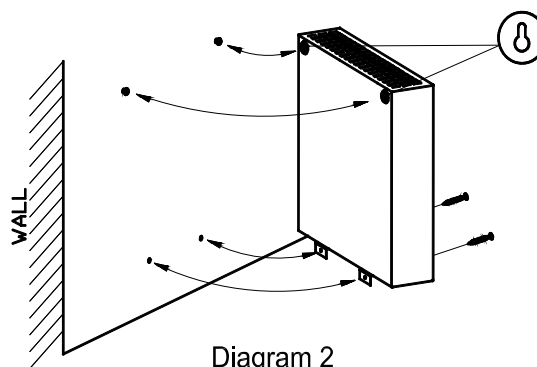
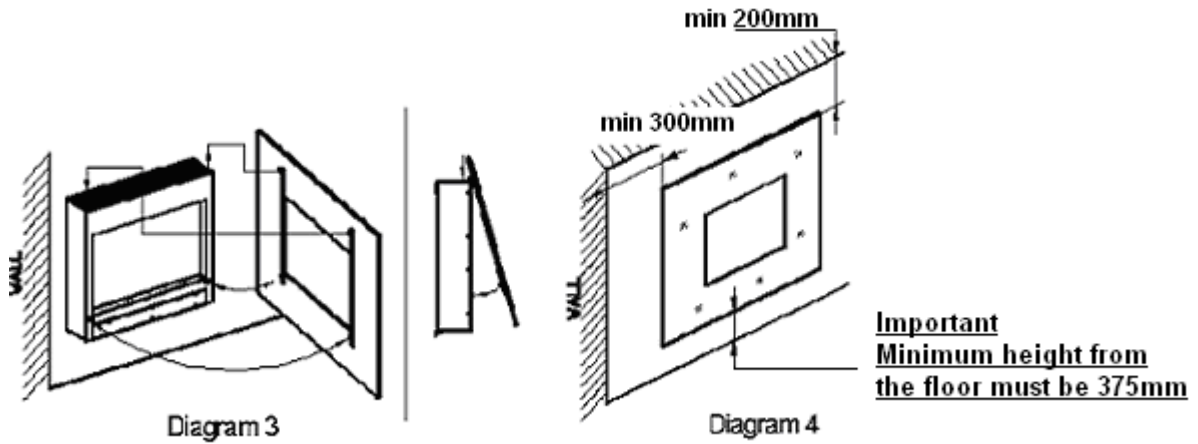


Diagram 2



Operation Remote control

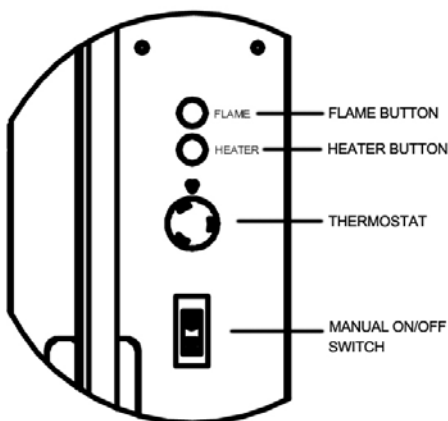


Ensure that the master on switch (Left hand side) is set to the on (I) position.

- Press the “POWER” Button, this turns the flame effect settings to the last used setting.
- Pressing the “FLAME” button changes the intensity of the flame illumination, this button can be pressed repeatedly to cycle between the HIGH, MEDIUM and LOW settings for the Flame illumination.
- Pressing the “BACKLIGHT” button cycles through the four settings of OFF, YELLOW, BLUE and MIX.
- Pressing the “LOW” button activates the 1KW heat setting, pressing the “LOW” button again turns off the heating*. To increase the heat output the “HIGH” button can be pressed to activate the 2Kw output setting.
- Pressing the “HIGH” button activates the 2KW Heat setting, repressing the “HIGH” button turns off the heating*. To decrease the heat output the “LOW” button can be pressed to activate the 1Kw output setting.
- When the heater is turned on there will be a brief period (aprox 6 secs) where the heater will blow cold air. This is to clear the elements of any debris (Dust, Hair etc) that may have collected on the element. Similarly once the heater is switched off the fan will blow cold air through the elements ensuring that the are elements re cooled before turning off the fan

Manual Control

The Manual controls for the fire are located on the right hand side of the fire unit. The controls are FLAME, HEATER, THERMOSTAT and the MASTER ON AND OFF SWITCH.



To turn the fire on:

- Ensure the MASTER ON AND OFF SWITCH is in the on (I) Position.
- Press the FLAME BUTTON to turn on the Lighting effect, the flame button can be pressed repeatedly to cycle through the following colour and intensity settings, HIGH FLAME INTENSITY, MEDIUM FLAME INTENSITY, LOW FLAME INTENSITY, HIGH FLAME INTENSITY + YELLOW BACKLIGHT, HIGH FLAME INTENSITY + BLUE BACK LIGHT and HIGH FLAME INTENSITY + MIXED BACK LIGHT.
- Pressing the HEATER Button when the flame effect is on will activate the heater function. Repeatedly pressing the heater button cycles through the following settings. 1KW, 2KW and OFF*

When the heater is turned on there will be a brief period (aprox 6 secs) where the heater will blow cold air. This is to clear the elements of any debris (Dust, Hair etc) that may have collected on the elements. Similarly once the heater is switched off the fan will blow cold air through the elements ensuring that the elements are cooled before turning off the fan

Thermostat:

The thermostat is mounted at the right-hand side face of the heater box and can be used to control the heat output to maintain a constant room temperature to suit user requirements. This will ensure that excessive heat is not produced unnecessarily.

To set the temperature:

The knob is marked with numbers to indicate the maximum and minimum temperature positions. Start with setting 9 and when the room has reached a desired level turn the knob slowly to left until the thermostat 'clicks off'. The thermostat will then maintain the room at the selected level. To increase the temperature, turn knob back to right to a higher setting.

Safety thermal cut-out

This appliance is fitted with an Electric Safety Control (E.S.). This is a safety device, which switches off the fire if, for any reason, the appliance overheats. The E.S. Control can only be re-set after the appliance has cooled down, in Order to re-set the E.S. Control, proceed as follows:

Switch off the appliance. Unplug at wall socket and leave for approximately 5-10 minutes.
Plug in switch on appliance and the E.S. Control will re-set.

Ensure that the appliance is functioning correctly. If the E.S. Control switches off again it is advisable to have the appliance checked by a competent electrician.

Note: -This appliance also has a secondary thermal fuse link incorporated into the heating element that will break the electrical circuit in the event that the heater fan fails to operate. Unlike the E.S. if this link breaks the fire will not be allowed to re set and the appliance should be checked by a competent electrician and the fan/element replaced.

CAUTION: In order to avoid a hazard due to inadvertent resetting of the thermal cut out, this appliance must not be supplied through an external switching device, such as a timer, or connected to a circuit that is regularly switched on and off by the utility.

Backlight:

This appliance is fitted with a backlight on the left and right side of heat box, the angle of this can be adjusted by hand.



Maintenance

Warning: Before undertaking any maintenance or cleaning disconnect appliance from main supply. Only competent persons should service / repair appliances.

Cleaning the appliance

Note: To prevent scratching of the casing or flame effect screen, this appliance should be cleaned with a damp cloth only.

If the appliance is supplied with a glass front panel, to remove finger prints or other marks, use a soft damp lint free cloth with a good quality household glass cleaner.

The area around the fire should be kept free of any materials such as lint or house dust (i.e. animal hair/ carpet fibres) that could be drawn into the internal workings of the appliance and hence affect the performance. We recommend that you clean around the fan grille housing at regular intervals. This can be done using standard vacuum cleaner and suitable attachment.

Please note if the supply cord on this appliance is damaged it must be replaced by the manufacturers Authorised Service Agent, or a qualified person to avoid hazard.

Replacing the LED Flame effect:

The LED lighting used in this fire should last for the lifetime of the unit, this component should only be replaced by a qualified electrician.



Environment

Do not dispose of electrical appliances as unsorted municipal waste, use separate collection facilities. Contact your local authority for information regarding the collection systems available. If electrical appliances are disposed of in landfills or dumps, hazardous substances can leak into the groundwater and get into the food chain, damaging your health and well-being. When replacing old appliances with new ones, the retailer is legally obligated to take back your old appliance for disposals at least free of charge.

ELECTRIC FIRE GUARANTEE

BeModern Ltd. (the 'Company') provides a **twelve month** guarantee in respect of electric fire (the 'Product') ranges.

1. The twelve month Guarantee applies to:

- a. All products in the ranges manufactured by the 'Company' (but subject to the exceptions below): where
- b. The product has been purchased and installed within the UK and in respect of
- c. The initial installation: and in favour of
- d. The original purchaser

2. Proof of Purchase must be retained by the Purchaser

3. The twelve month Guarantee does not apply to:

- a. **Damage or inferior workmanship practices whilst the 'Product' is being installed**
- b. **Damage caused by mis-use of the 'Product' or where normal standards of care and use have not been complied with.**
- c. **Damage through a malfunction or an inadequately installed electric fire.**
- d. **Damage or defects due to mis-use, accident or unauthorised alterations.**

- 4. During the 1 year** after the "Product" has been supplied, the Guarantee covers the making good (whether by repair or replacement at the Company's option) of defects arising from defective manufacture of materials of "Product" covered in Para 1 all at no cost to the purchaser on the proviso:

- a. The Product has been installed as Be Modern recommendations
- b. The Purchaser uninstalls the Product and makes it available for collection by Be Modern.

Note: All lamps supplied with the product are classed as consumable items, and are the Purchasers responsibility to replace.

This Guarantee does not affect your statutory rights

On requiring service the purchaser should contact the retailer who supplied your product who will assist and advise you as necessary.



This fire complies with the European Safety Standards (LVD) EN60335-2-30 and the European Electro Magnetic Compatibility (EMC) En55015, EN60555-2 and EN60555-3 which covers the essential requirements of the EEC Directives and 89/336

bemodern

FIREPLACES & STOVES | BATHROOM FURNITURE

Customer Services

Tel (0191) 430 0901

Fax (0191) 430 9522